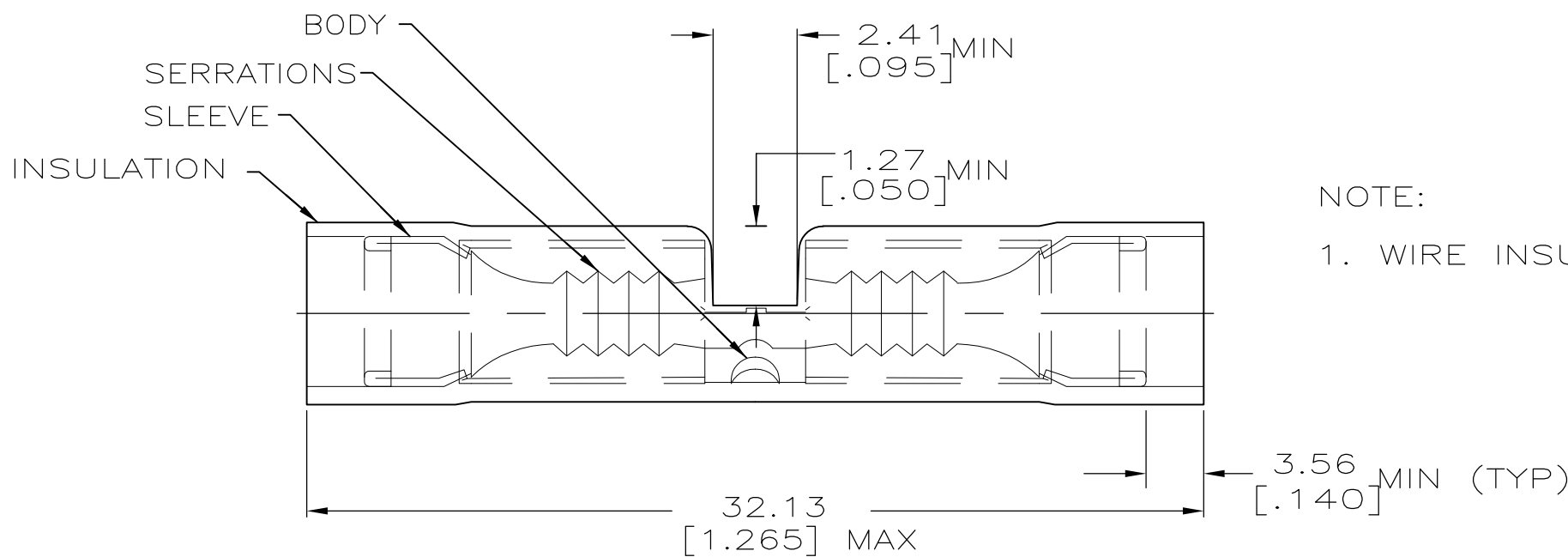


THIS DRAWING IS UNPUBLISHED. RELEASED FOR PUBLICATION
 © COPYRIGHT - By - ALL RIGHTS RESERVED.

| LOC | DIST | REVISIONS | | | | | |
|-----|------|-----------|-----|---------------------------|---------|-----|------|
| G | 14 | P | LTR | DESCRIPTION | DATE | DWN | APVD |
| | | M1 | | REVISED PER ECO-11-004587 | 11MAR11 | RK | HMR |

| 300 VOLT MAX | | |
|--------------------------------|--------------------------------|--------------------------------|
| AMP WIRE RANGE | Listed FILE E13288 | LR7189 Certified |
| 16-14 AWG SOLID OR STRANDED | 16-14 AWG SOLID OR STRANDED | 16-14 AWG SOLID OR STRANDED |

| 600 VOLT MAX | | |
|--------------------------|-----------------------|-----------------------|
| AMP WIRE RANGE | Listed FILE E13288 | LR7189 Certified |
| 16-14 AWG STRANDED | 16-14 AWG STRANDED | 16-14 AWG STRANDED |



NOTE:
 1. WIRE INSULATION DIA 2.67 [.105] TO 3.81 [.150]

| | | | |
|--|------|------------------|------------|
| - | 100 | LOOSE PIECE, BOX | 8-320562-5 |
| - | 5 | LOOSE PIECE, BLS | 8-320562-4 |
| - | 50 | LOOSE PIECE, BOX | 8-320562-2 |
| M7928/5-4 CLASS 2 | 2500 | ON TAPE | 2-320562-3 |
| M7928/5-4 CLASS 1 & 2 | 50 | LOOSE PIECE | 320562 |
| MILITARY PART NUMBER & CLASS PER MIL-T-7928 | QTY | PACKAGE TYPE | PART NO. |

| | | | | | | | | | |
|--|--|---|--|---|--------------------------------|--|--------------------|------------------------|---------------|
| AMP INCORPORATED CUSTOMER SERVICE SYSTEMS | | MAX RECOMMENDED OPERATING TEMPERATURE: 105°C [221°F] | THIS DRAWING IS A CONTROLLED DOCUMENT. | | DWN S.S. GOULDEN 9-28-93 | TE Connectivity | | | |
| FOR ADDITIONAL PRODUCT INFORMATION OR COPIES OF DRAWINGS AND TECHNICAL DOCUMENTS | PRODUCT INFORMATION CENTER 1-800-522-6752 | VOLTAGE RATING: 600V MAX (1000V MAX FIXTURE OR SIGN) | DIMENSIONS: mm [INCHES] | TOLERANCES UNLESS OTHERWISE SPECIFIED: | CHK R. HERSEY 9-28-93 | NAME SPLICE, BUTT, P.I.D.G., WIRE SIZE 16-14 | | | |
| FOR APPLICATION TOOLING INFORMATION | TOOLING ASSISTANCE CENTER 1-800-722-1111 | CIRCULAR MIL AREA: 1.04-2.62mm² [2,050-5,180] | | 0 PLC ± - 1 PLC ± - 2 PLC ± 0.20 [.008] 3 PLC ± - 4 PLC ± - ANGLES ± - | APVD M ELLIS 9-28-93 | PRODUCT SPEC | | | |
| FOR ORDER ENTRY | 1-800-526-5142 | THIS DRAWING IS A CONTROLLED DOCUMENT FOR AMP INCORPORATED. IT IS SUBJECT TO CHANGE AND THE CONTROLLING ENGINEERING ORGANIZATION SHOULD BE CONTACTED FOR THE LATEST REVISION. | MATERIAL COPPER PER ASTM B-152 NYLON, COLOR-BLUE | FINISH TIN PL PER ASTM B-545 | APPLICATION SPEC | SIZE A3 | CAGE CODE 00779 | DRAWING NO C-320562 | RESTRICTED TO |
| | | | CUSTOMER DRAWING | | WEIGHT | SCALE NTS | SHEET 1 of 1 | REV M1 | |

X-ON Electronics

Largest Supplier of Electrical and Electronic Components

Click to view similar products for [Terminals](#) category:

Click to view products by [TE Connectivity](#) manufacturer:

Other Similar products are found below :

[00-054007-01074-6](#) [00-054007-70206-1](#) [00-054007-70210-8](#) [00-054007-70217-7](#) [00-054007-70226-9](#) [00-054007-70228-3](#) [00-054007-70248-1](#) [00-054007-70256-6](#) [00-054007-70301-3](#) [00-054007-70316-7](#) [00-054007-49560-4](#) [00-054007-70209-2](#) [00-054007-70225-2](#) [00-054007-70227-6](#) [00-054007-70231-3](#) [00-054007-70241-2](#) [00-054007-70242-9](#) [00-054007-70244-3](#) [00-054007-70246-7](#) [00-054007-70263-4](#) [00-054007-70288-7](#) [00-054007-70290-0](#) [00-054007-70300-6](#) [00-054007-70304-4](#) [01-2065-1-0216](#) [01-2900-1-04412](#) [00581P0075](#) [600TS-10](#) [60205-1](#) [604200-1](#) [605601-1](#) [60598-1-CUT-TAPE](#) [61314-6-C](#) [61810-3](#) [61-S](#) [61-SN](#) [626-0194](#) [62-NBM-A](#) [62-SN](#) [62-SP](#) [63-S](#) [640179-1](#) [M55155/059I03](#) [M55155/079C01](#) [M55155/099H02](#) [M55155/109H01](#) [M55155/109H02](#) [M55155/12XH05](#) [M55155/16XH02](#) [M55155/29-5S](#)