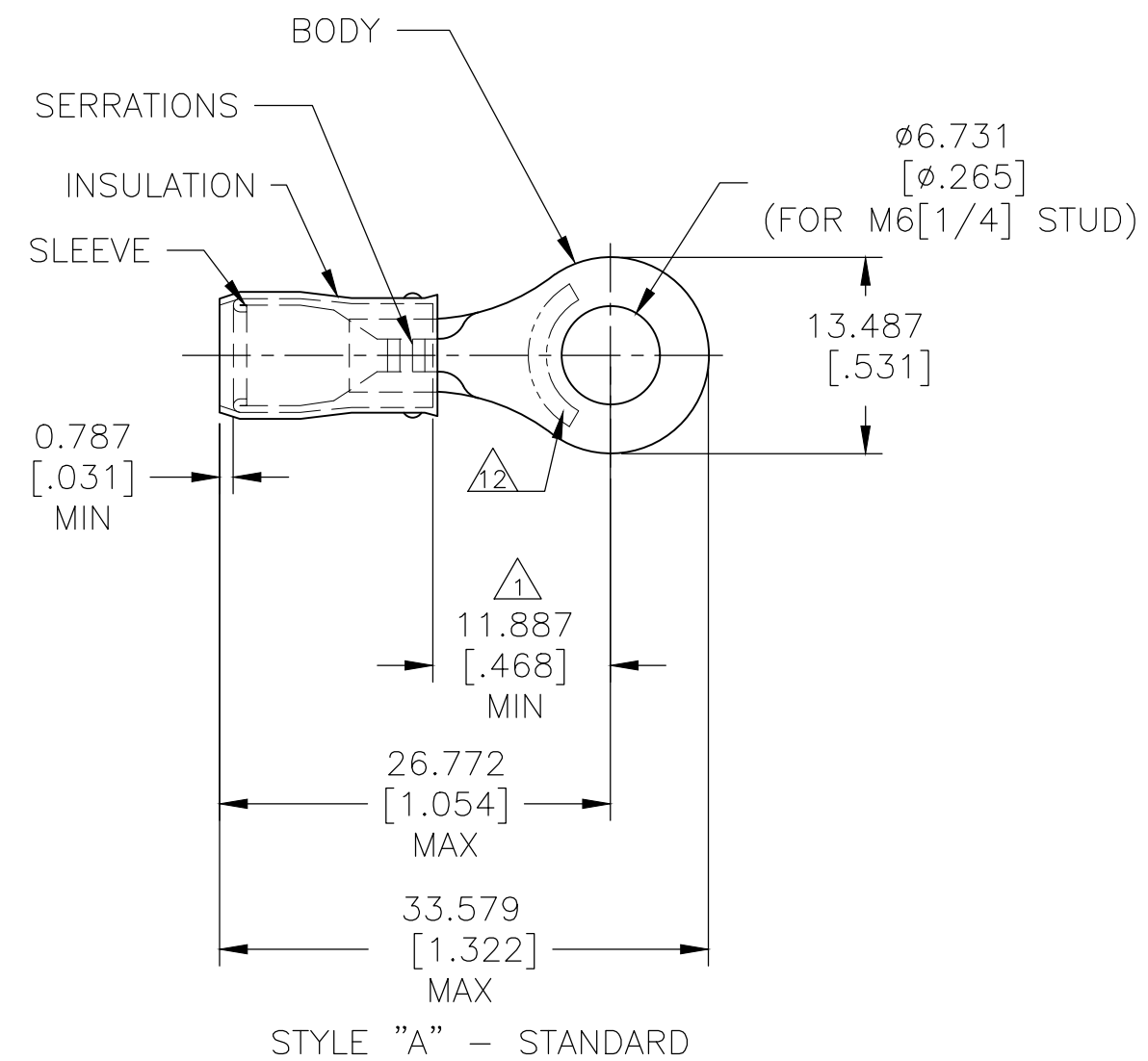


THIS DRAWING IS UNPUBLISHED. RELEASED FOR PUBLICATION
 © COPYRIGHT - By - ALL RIGHTS RESERVED.

REVISIONS					
P	LTR	DESCRIPTION	DATE	DWN	APVD
	U1	REVISED PER ECO-17-007400	19DEC2017	RS	DR
	U2	REVISED PER ECO-19-007720	21MAY2020	KR	DR



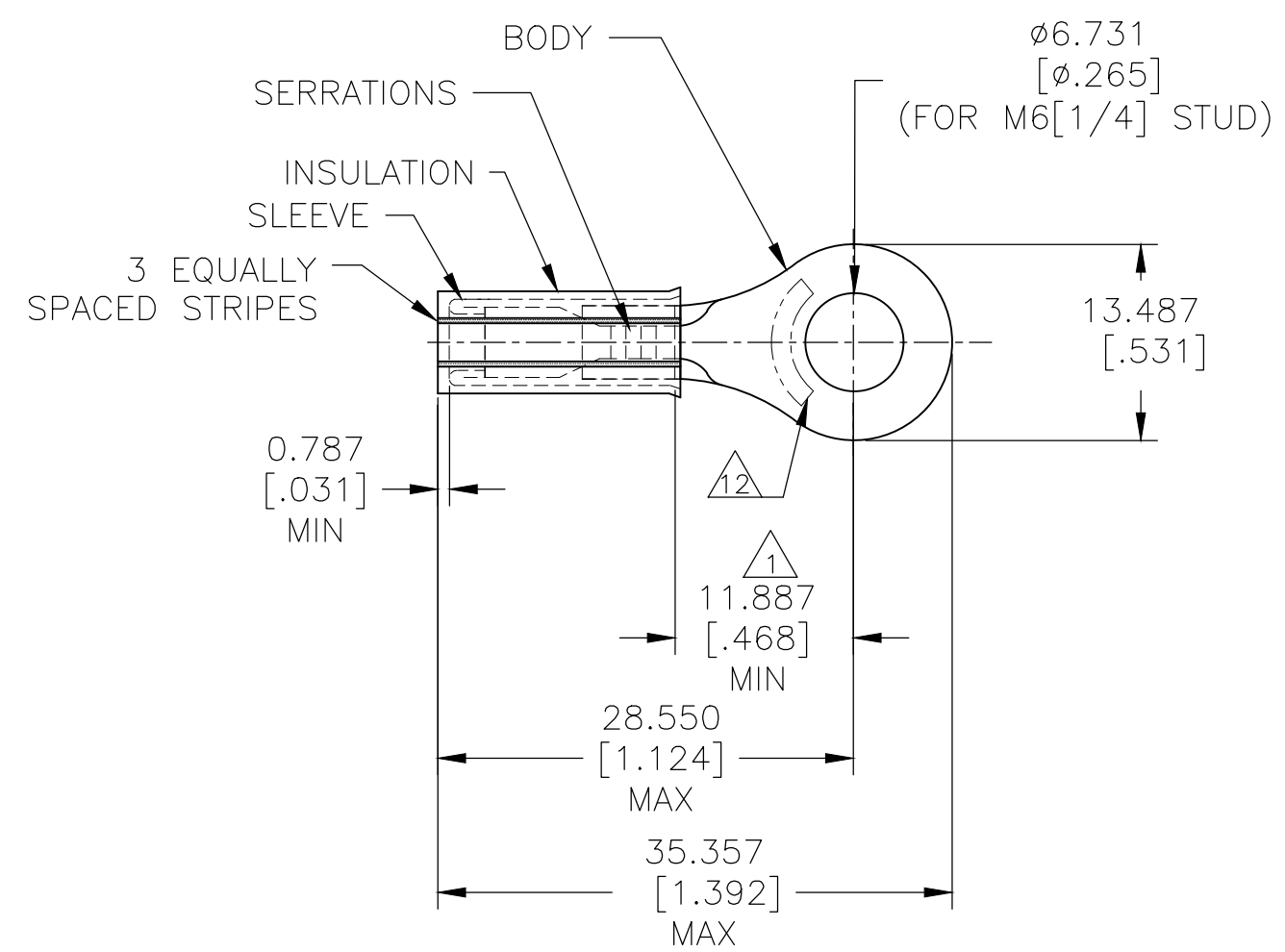
- 1 APPLIES FROM EDGE OF METAL WIRE BARREL TO CENTER OF STUD HOLE.
- 2 BODY MATERIAL THK 1.016±0.051 [.040±.002]
- 3 105°C[221°F] MAX OPERATING TEMPERATURE
- 4 300 VOLT MAX.
- 5 CIRCULAR MIN AREA: 2.62–6.64 mm² [5180–13100] SOLID OR STRANDED.
- 6 UL LISTED E13288 12–10 AWG STRANDED.
- 7 CSA CERTIFIED LR7189 12–10 AWG SOLID OR STRANDED.
- 8 MILITARY MS25036–157 CLASS 1.
- 9 MILITARY MS25036–157 CLASS 2.
- 10 MATERIAL:
BODY & SLEEVE: COPPER PER ASTM B–152
INSULATION: NYLON PER ASTM D–4066, TYPE 1.
- 11 FINISH:
BODY & SLEEVE: TIN PLATE PER ASTM B–545
INSULATION: COLOR–YELLOW.
- 12 STAMP AMP SEE TABLE, APPROX AS SHOWN.

		2500	NONE	12–10	3.810–5.842 [.150–.230]	12–10*	"A"	ON TAPE		2–320569–3	
		500	NONE	12–10	3.810–5.842 [.150–.230]	12–10*	"A"	LOOSE PIECE			320569
QTY	COLOR STRIPE	WIRE SIZE	FOR WIRE INSULATION OD	STAMP	STYLE	PACKAGING	PART NO.				

THIS DRAWING IS A CONTROLLED DOCUMENT.		DWN RAGHAVENDRA 08SEP2008	STE TE Connectivity		
DIMENSIONS: mm [INCHES]		CHK T MICHELUTTI 08SEP2008			
TOLERANCES UNLESS OTHERWISE SPECIFIED:		APVD T MICHELUTTI 08SEP2008	NAME		
0 PLC ± -		PRODUCT SPEC		TERMINAL	
1 PLC ± -		UL 486 A–B		RING TONGUE, NYLON, PIDG, WIRE SIZE: 12–10 AWG	
2 PLC ± -		APPLICATION SPEC		SIZE	CAGE CODE
3 PLC ± 0.127[.005]		114–2157		DRAWING NO	
4 PLC ± -		WEIGHT		RESTRICTED TO	
ANGLES ± 0°30'		-		-	
FINISH		A3		00779	
		CUSTOMER DRAWING		C=320569	
		SCALE 2:1		SHEET 1 OF 2	
		REV U2			

THIS DRAWING IS UNPUBLISHED. RELEASED FOR PUBLICATION
 © COPYRIGHT - By - ALL RIGHTS RESERVED.

REVISIONS					
P	LTR	DESCRIPTION	DATE	DWN	APVD
-	-	SEE SHEET 1	-	-	-



STYLE "B" - INSULATION RESTRICTING

- 1 APPLIES FROM EDGE OF METAL WIRE BARREL TO CENTER OF STUD HOLE.
- 2 BODY MATERIAL THK 1.016 ± 0.051 [.040 ± .002]
- 3 105°C [221°F] MAX OPERATING TEMPERATURE
- 4 300 VOLT MAX.
- 5 CIRCULAR MIN AREA: 2.62–6.64 mm² [5180–13100] SOLID OR STRANDED.
- 6 MILITARY M7928/1-59 CLASS 1.
- 7 MILITARY M7928/1-66 CLASS 1.
- 8 MILITARY M7928/1-59 CLASS 2.
- 9 MILITARY M7928/1-66 CLASS 2.
- 10 MATERIAL:
BODY & SLEEVE: COPPER PER ASTM B-152
INSULATION: NYLON PER ASTM D-4066, TYPE 1.
- 11 FINISH:
BODY: TIN PLATE PER ASTM B-545
SLEEVE: NICKEL PLATE PER QQ-N-290
INSULATION: COLOR-YELLOW.
- 12 STAMP AMP SEE TABLE, APPROX AS SHOWN.
- 13 CSA CERTIFIED STRANDED

13	500	BROWN	10	3.023–5.080 [.119–.200]	10*	"B"	LOOSE PIECE	7 9 2-320569-6
13	500	YELLOW	12	2.413–5.080 [.095–.200]	12*	"B"	LOOSE PIECE	6 8 2-320569-5
	QTY	COLOR STRIPE	WIRE SIZE	FOR WIRE INSULATION OD	STAMP	STYLE	PACKAGING	PART NO.

THIS DRAWING IS A CONTROLLED DOCUMENT.		DWN RAGHAVENDRA 08SEP2008	TE Connectivity		
DIMENSIONS: mm [INCHES]		CHK T MICHELUTTI 08SEP2008			
TOLERANCES UNLESS OTHERWISE SPECIFIED:		APVD T MICHELUTTI 08SEP2008	NAME		
0 PLC ± - 1 PLC ± - 2 PLC ± - 3 PLC ± 0.127[.005] 4 PLC ± - ANGLES ± 0°30'		PRODUCT SPEC	TERMINAL		
MATERIAL		APPLICATION SPEC	RING TONGUE, NYLON, PIDG, IR, WIRE SIZE: 12 & 10 AWG		
FINISH		114-2157	SIZE	CAGE CODE	DRAWING NO
10		WEIGHT	A3 00779		RESTRICTED TO
		CUSTOMER DRAWING		SCALE	REV
				2:1	U2
				SHEET	
				2 OF 2	

X-ON Electronics

Largest Supplier of Electrical and Electronic Components

Click to view similar products for [Terminals](#) category:

Click to view products by [TE Connectivity](#) manufacturer:

Other Similar products are found below :

[00-054007-01074-6](#) [00-054007-70206-1](#) [00-054007-70210-8](#) [00-054007-70217-7](#) [00-054007-70226-9](#) [00-054007-70228-3](#) [00-054007-70248-1](#) [00-054007-70256-6](#) [00-054007-70301-3](#) [00-054007-70316-7](#) [00-054007-49560-4](#) [00-054007-70209-2](#) [00-054007-70225-2](#) [00-054007-70227-6](#) [00-054007-70231-3](#) [00-054007-70241-2](#) [00-054007-70242-9](#) [00-054007-70244-3](#) [00-054007-70246-7](#) [00-054007-70263-4](#) [00-054007-70288-7](#) [00-054007-70290-0](#) [00-054007-70300-6](#) [00-054007-70304-4](#) [01-2065-1-0216](#) [01-2900-1-04412](#) [00581P0075](#) [600TS-10](#) [60205-1](#) [604200-1](#) [605601-1](#) [60598-1-CUT-TAPE](#) [61314-6-C](#) [61810-3](#) [61-S](#) [61-SN](#) [626-0194](#) [62-NBM-A](#) [62-SN](#) [62-SP](#) [63-S](#) [640179-1](#) [M55155/059I03](#) [M55155/079C01](#) [M55155/099H02](#) [M55155/109H01](#) [M55155/109H02](#) [M55155/12XH05](#) [M55155/16XH02](#) [M55155/29-5S](#)