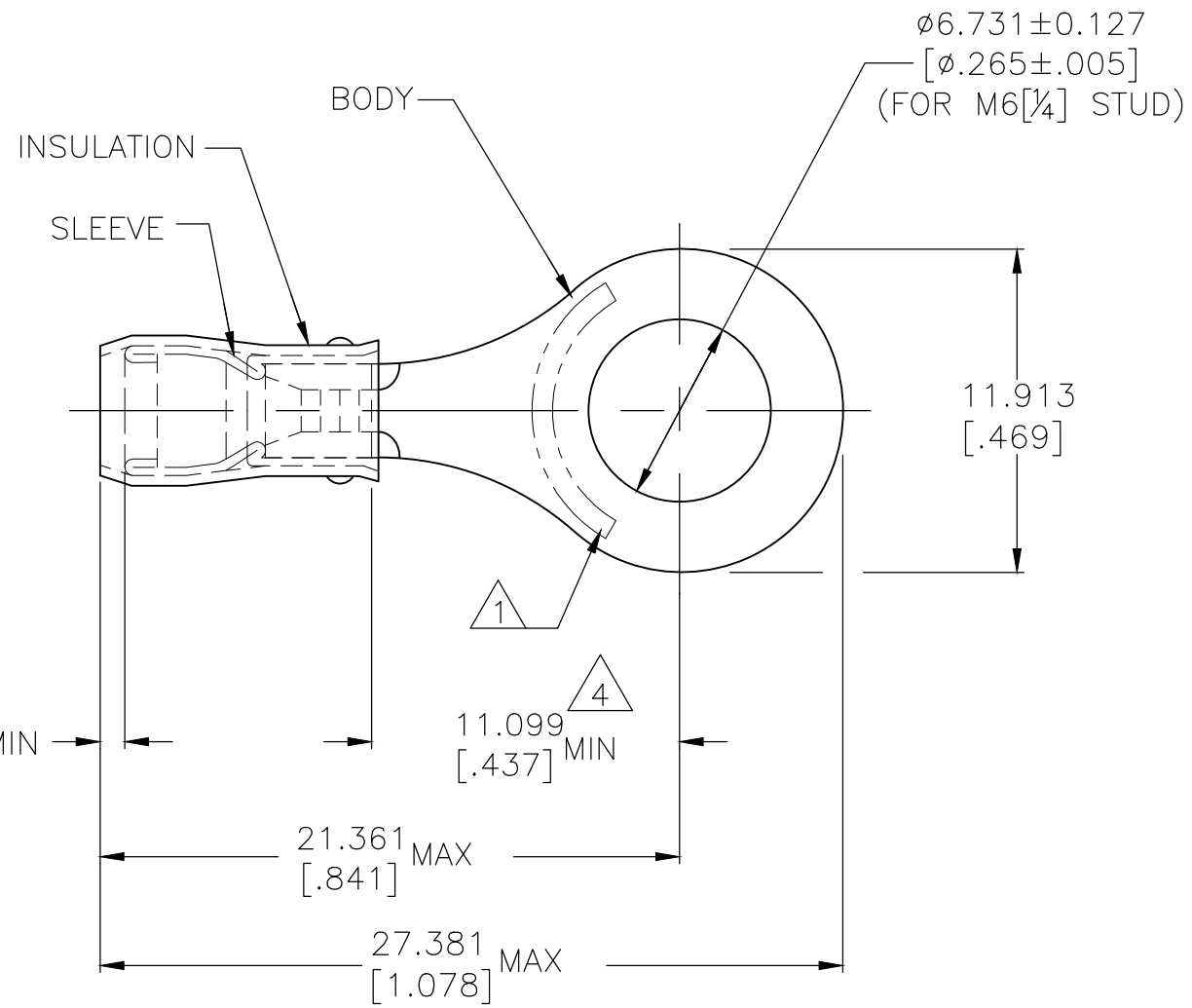


THIS DRAWING IS UNPUBLISHED. RELEASED FOR PUBLICATION
 © COPYRIGHT - By - ALL RIGHTS RESERVED.

LOC	DIST	REVISIONS			
P	LTR	DESCRIPTION	DATE	DWN	APVD
G	14	AB1	REVISED PER ECO-19-007720	21MAY2020	KR DR



AMP WIRE RANGE	E13288 Listed	LR7189 Certified
22-16 AWG SOLID OR STRANDED	22-16 AWG STRANDED	22-16 AWG SOLID OR STRANDED

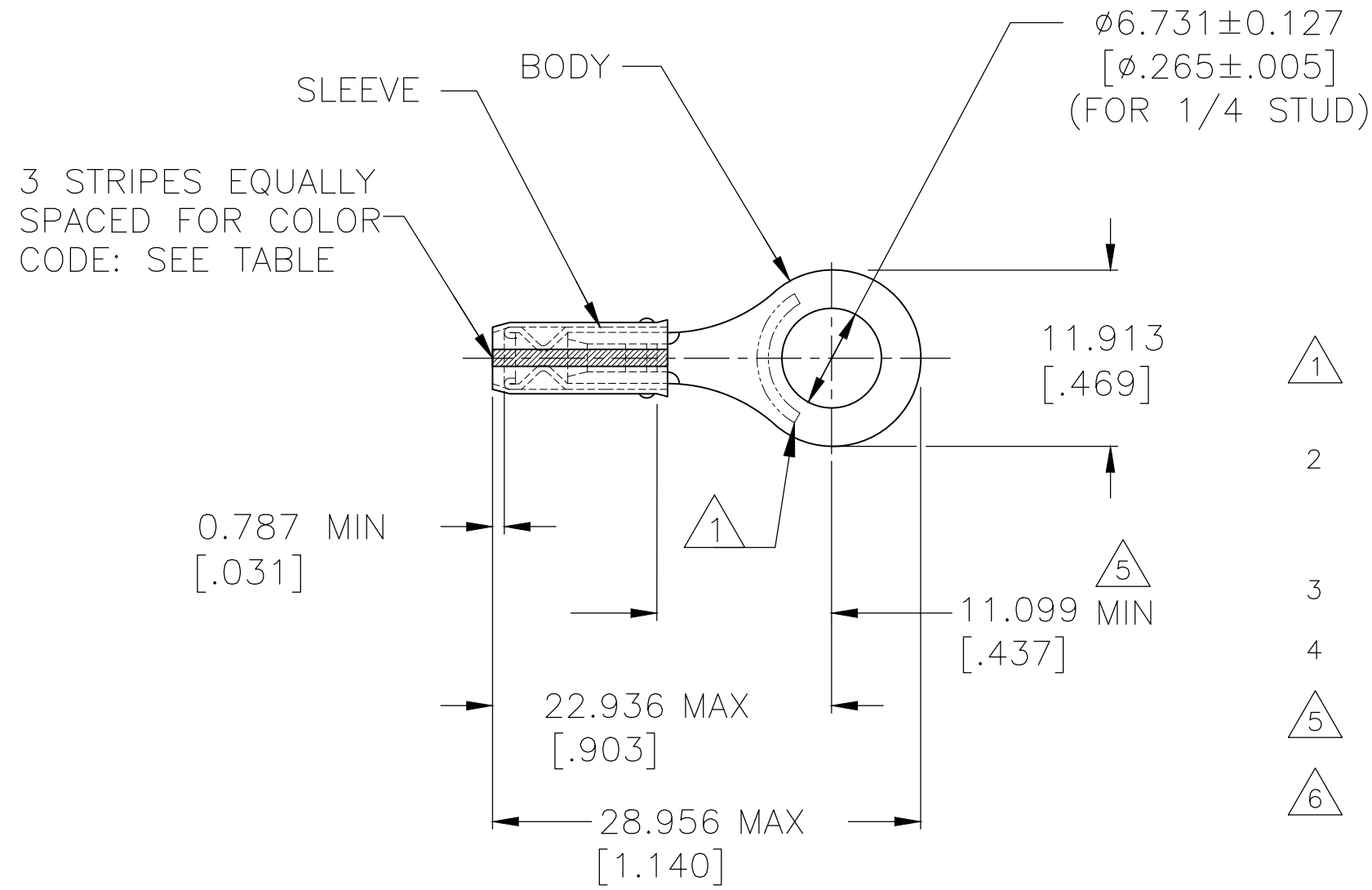
- 1 STAMP AMP 22-18* APPROX AS SHOWN
22-16 TERMINALS ARE STAMPED 22-18 IN
ACCORDANCE WITH MILITARY SPEC SAE AS7928
COMMERCIAL WIRE RANGE IS 22-16.
- 2 WIRE INSULATION DIA: 2.032-3.175 [.080-.125].
- 3 BODY MATERIAL THK: 0.787±0.051 [.031±.002].
- 4 APPERS FROM EDGE OF METAL WIRE BARREL TO
CENTER OF STUD HOLE.
- 5 UL LISTED
- 6 CSA CERTIFIED

MILITARY P/N AND CLASS	QUANTITY	PACKAGE TYPE	PART NO
MS25036-150 CLASS 2	100	LOOSE PIECE, BOX	8-320571-1
MS25036-150 CLASS 1 & 2	5000	ON TAPE, REEL	2-320571-2
MS25036-150 CLASS 1 & 2	1000	LOOSE PIECE	320571

AMP INCORPORATED CUSTOMER SERVICE SYSTEMS		MAX RECOMMENDED OPERATING TEMPERATURE: 105°C [221°F] MAX	THIS DRAWING IS A CONTROLLED DOCUMENT.		DWN DK SCHRUM 9/8/93	TE Connectivity				
FOR ADDITIONAL PRODUCT INFORMATION OR COPIES OF DRAWINGS AND TECHNICAL DOCUMENTS	PRODUCT INFORMATION CENTER 1-800-522-6752	VOLTAGE RATING: 300 V MAX	DIMENSIONS: mm [INCHES]	TOLERANCES UNLESS OTHERWISE SPECIFIED: 0 PLC ± - 1 PLC ± - 2 PLC ± - 3 PLC ± .127 [.005] 4 PLC ± - ANGLES ± -	CHK RE HERSEY 9/8/93	NAME TERMINAL, RING TONGUE, PIDG™, WIRE SIZE: 22-16 AWG				
FOR APPLICATION TOOLING INFORMATION	TOOLING ASSISTANCE CENTER 1-800-722-1111	CIRCULAR MIL AREA: 0.26-1.65mm² [509-3,260] CIR MILS SOLID OR STRANDED		FINISH BODY & SLEEVE TIN PLATE PER ASTM B545 INSULATION: COLOR-RED	APVD ML ELLIS 9/8/93	PRODUCT SPEC UL 486A-B	SIZE A3	CAGE CODE 00779	DRAWING NO C-320571	RESTRICTED TO -
FOR ORDER ENTRY	1-800-526-5142	MATERIAL BODY & SLEEVE COPPER PER ASTM B-152 INSULATION: NYLON	MATERIAL		APPLICATION SPEC 114-2157	WEIGHT -	SCALE NTS		SHEET 1 of 2	REV AB1

THIS DRAWING IS UNPUBLISHED. RELEASED FOR PUBLICATION
 © COPYRIGHT - By - ALL RIGHTS RESERVED.

LOC	DIST	REVISIONS				
P	LTR	DESCRIPTION	DATE	DWN	APVD	
G	14	-	SEE SHEET 1	-	-	



AMP WIRE RANGE	LR7189 Certified
SEE TABLE STRANDED	WIRE SIZE PER TABLE STRANDED

- 1 STAMP AMP APPROX AS SHOWN SEE TABLE BELOW.
- 2 WIRE INSULATION DIA: 0.965–2.794 [.038–.110] FOR 22 AWG
1.168–2.794 [.046–.110] FOR 20 AWG
1.422–2.794 [.056–.110] FOR 18 AWG.
- 3 BODY MATERIAL THK: 0.79±0.05 [.031±.002].
- 4 NOTE DELETED.
- 5 APPEARS FROM EDGE OF METAL WIRE BARREL TO CENTER OF STUD HOLE.
- 6 CSA CERTIFIED

6	M7928/1-34 CLASS 1 & 2	WHITE	18*	18	1000	LOOSE PIECE	2-320571-5
6	M7928/1-25 CLASS 1 & 2	RED	20*	20	1000	LOOSE PIECE	2-320571-4
6	M7928/1-16 CLASS 1 & 2	GREEN	22*	22	1000	LOOSE PIECE	2-320571-3
	MILITARY P/N AND CLASS	STRIPE COLOR	STAMPING	WIRE SIZE	QUANTITY	PACKAGE TYPE	PART NO

AMP INCORPORATED CUSTOMER SERVICE SYSTEMS		MAX RECOMMENDED OPERATING TEMPERATURE: 105°C [221°F] MAX	THIS DRAWING IS A CONTROLLED DOCUMENT.		DWN DK SCHRUM 9/8/93	TE Connectivity		
FOR ADDITIONAL PRODUCT INFORMATION OR COPIES OF DRAWINGS AND TECHNICAL DOCUMENTS	PRODUCT INFORMATION CENTER 1-800-522-6752	VOLTAGE RATING: 300 V MAX	DIMENSIONS: mm [INCHES]	TOLERANCES UNLESS OTHERWISE SPECIFIED:	CHK RE HERSEY 9/8/93	NAME TERMINAL, RING TONGUE, I.R., PIDG™, WIRE SIZE: 22, 20 & 18 AWG		
FOR APPLICATION TOOLING INFORMATION	TOOLING ASSISTANCE CENTER 1-800-722-1111	WIRE RANGE: 22, 20, 18 CIRC MIL AREA: 0.38mm² [754], 0.60mm² [1,186], 0.96mm² [1,900] STRANDED		0 PLC ±- 1 PLC ±- 2 PLC ±- 3 PLC ±.127 [.005] 4 PLC ±- ±- ANGLES	APVD ML ELLIS 9/8/93	APPLICATION SPEC 114-2157	RESTRICTED TO	
FOR ORDER ENTRY	1-800-526-5142	MATERIAL BODY & SLEEVE COPPER PER ASTM B-152 INSULATION: NYLON	FINISH BODY & SLEEVE TIN PLATE PER ASTM B545 INSULATION: COLOR-RED	WEIGHT -	PRODUCT SPEC -	SIZE A3	CAGE CODE 00779	DRAWING NO C-320571
CUSTOMER DRAWING					SCALE NTS	SHEET 2 of 2	REV AB1	

X-ON Electronics

Largest Supplier of Electrical and Electronic Components

Click to view similar products for [Terminals](#) category:

Click to view products by [TE Connectivity](#) manufacturer:

Other Similar products are found below :

[00-054007-01074-6](#) [00-054007-70206-1](#) [00-054007-70210-8](#) [00-054007-70217-7](#) [00-054007-70226-9](#) [00-054007-70228-3](#) [00-054007-70248-1](#) [00-054007-70256-6](#) [00-054007-70301-3](#) [00-054007-70316-7](#) [0-0320562-0](#) [00-054007-49560-4](#) [00-054007-70209-2](#) [00-054007-70225-2](#) [00-054007-70227-6](#) [00-054007-70231-3](#) [00-054007-70241-2](#) [00-054007-70242-9](#) [00-054007-70244-3](#) [00-054007-70246-7](#) [00-054007-70263-4](#) [00-054007-70288-7](#) [00-054007-70290-0](#) [00-054007-70300-6](#) [00-054007-70304-4](#) [01-2065-1-0216](#) [01-2900-1-04412](#) [00581P0075](#) [600TS-10](#) [60205-1](#) [604200-1](#) [605601-1](#) [60598-1-CUT-TAPE](#) [61314-6-C](#) [61810-3](#) [61-S](#) [61-SN](#) [626-0194](#) [62-NBM-A](#) [62-SN](#) [62-SP](#) [63-S](#) [640179-1](#) [M55155/059I03](#) [M55155/079C01](#) [M55155/099H02](#) [M55155/109H01](#) [M55155/109H02](#) [M55155/12XH05](#) [M55155/16XH02](#)