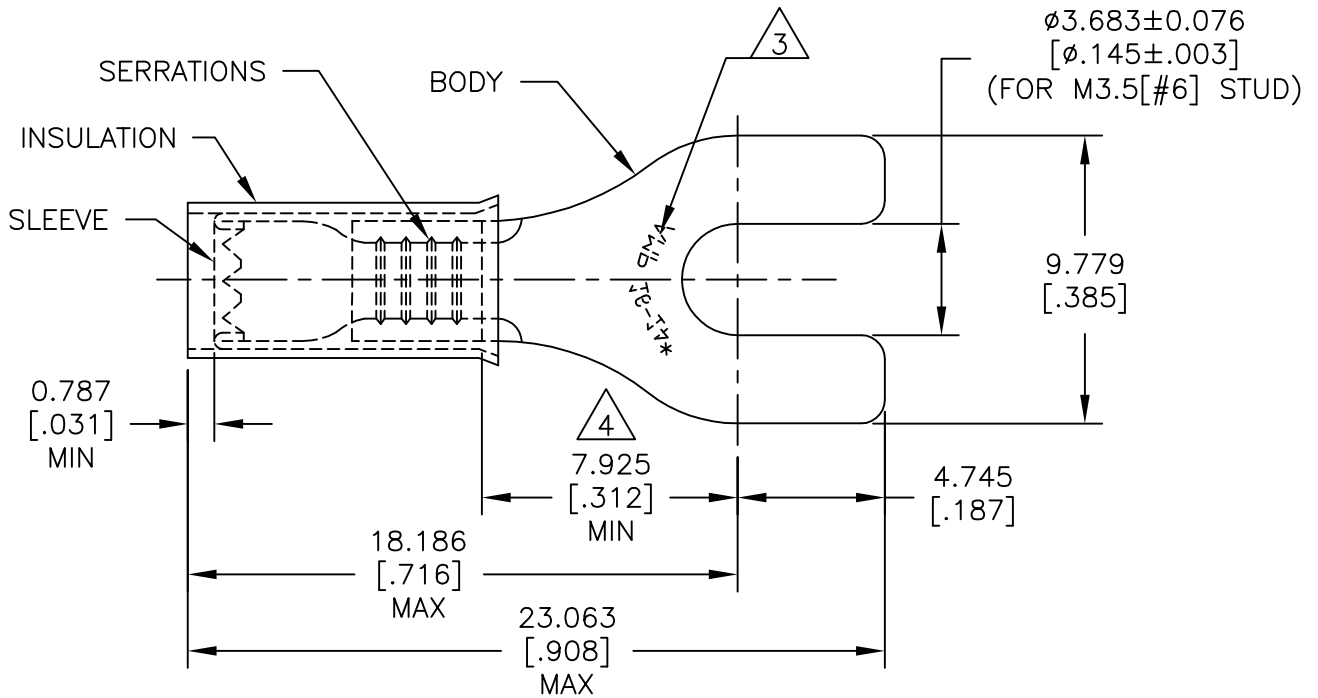


REVISIONS				
P	LTR	DESCRIPTION	DATE	APVD
	E1	REDRAWN PER ECO-17-007400	13DEC2017	DR

<b>AMP</b> WIRE RANGE	Listed FILE E13288	LR7189 Certified
16-14 AWG SOLID OR STRANDED	16-14 AWG SOLID OR STRANDED	16-14 AWG SOLID OR STRANDED



- 1 BODY MATERIAL THICKNESS: 0.787±0.051[.031±.002]
- 2 FOR ø2.921[ø.115] TO ø4.318[ø.170] WIRE INSULATION.

- STAMP AMP 16-14\* APPROX AS SHOWN.
- APPLIES FROM EDGE OF METAL WIRE BARREL TO CENTER OF STUD HOLE.
- MATERIAL:  
BODY & SLEEVE: COPPER PER ASTM B152  
INSULATION: NYLON.
- FINISH:  
BODY & SLEEVE: TIN PLATE PER ASTM B545  
INSULATION: COLOR - BLUE.

1000	LOOSE PIECE	32058
QTY.	PACKAGE TYPE	PART NO.

THIS DRAWING IS UNPUBLISHED. ALL RIGHTS RESERVED. © COPYRIGHT - TE Connectivity Ltd.

DIMENSIONS: mm [INCHES]	DWN RAVI S	13DEC2017	MATERIAL		FINISH	
	CHK ROHDE DANIEL F	13DEC2017	TE Connectivity			
TOLERANCES UNLESS OTHERWISE SPECIFIED:	APVD ROHDE DANIEL F	13DEC2017				
0 PLC ± -	PRODUCT SPEC	UL 486 A-B	NAME	WIRE TERMINAL, P.I.D.G.- SPADE, WIRE SIZE : 16-14 AWG		
1 PLC ± -	APPLICATION SPEC	114-2157	SIZE	CAGE CODE	DRAWING NO	RESTRICTED TO
2 PLC ± -			A4	00779	32058	-
3 PLC ± 0.127[.005]	WEIGHT	-	CUSTOMER DRAWING			
4 PLC ± -			SCALE	6:1	SHEET	1 OF 1
ANGLES ± 5°					REV	E1

## X-ON Electronics

Largest Supplier of Electrical and Electronic Components

*Click to view similar products for [Terminals](#) category:*

*Click to view products by [TE Connectivity](#) manufacturer:*

Other Similar products are found below :

[00-054007-01074-6](#) [00-054007-70206-1](#) [00-054007-70210-8](#) [00-054007-70217-7](#) [00-054007-70226-9](#) [00-054007-70228-3](#) [00-054007-70248-1](#) [00-054007-70256-6](#) [00-054007-70301-3](#) [00-054007-70316-7](#) [00-054007-49560-4](#) [00-054007-70209-2](#) [00-054007-70225-2](#) [00-054007-70227-6](#) [00-054007-70231-3](#) [00-054007-70241-2](#) [00-054007-70242-9](#) [00-054007-70244-3](#) [00-054007-70246-7](#) [00-054007-70263-4](#) [00-054007-70288-7](#) [00-054007-70290-0](#) [00-054007-70300-6](#) [00-054007-70304-4](#) [01-2065-1-0216](#) [01-2900-1-04412](#) [00581P0075](#) [600TS-10](#) [60205-1](#) [604200-1](#) [605601-1](#) [60598-1-CUT-TAPE](#) [61314-6-C](#) [61810-3](#) [61-S](#) [61-SN](#) [626-0194](#) [62-NBM-A](#) [62-SN](#) [62-SP](#) [63-S](#) [640179-1](#) [M55155/059I03](#) [M55155/079C01](#) [M55155/099H02](#) [M55155/109H01](#) [M55155/109H02](#) [M55155/12XH05](#) [M55155/16XH02](#) [M55155/29-5S](#)