
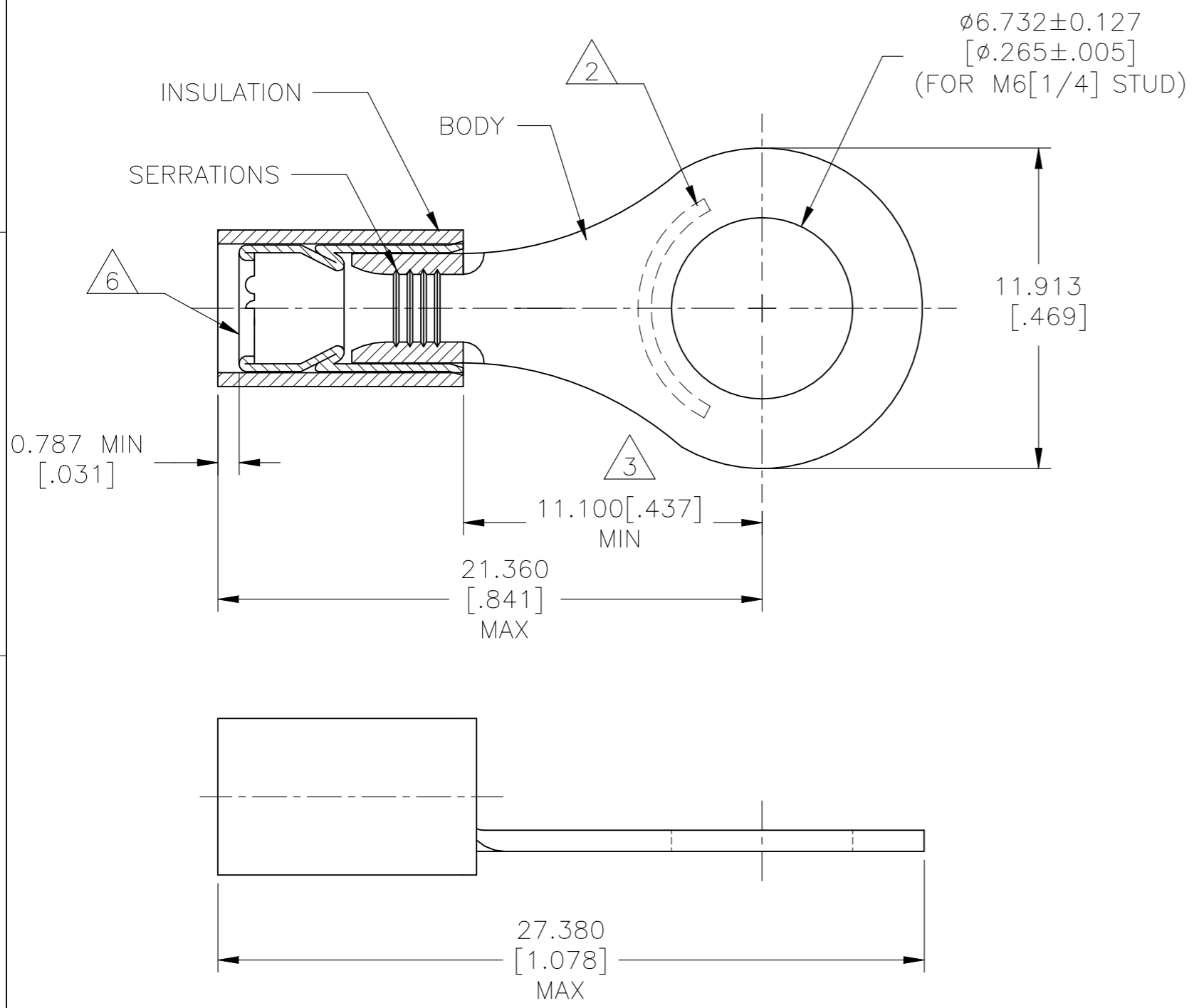


© - TE Connectivity. All Rights Reserved.

REVISIONS					
P	LTR	DESCRIPTION	DATE	DWN	APVD
	H4	ECO-21-003818	25MAR2021	RK	DR

AMP WIRE RANGE	 Listed FILE E13288
16-14 AWG SOLID OR STRANDED	16-14 AWG SOLID OR STRANDED



- 1 FOR 2.921[.115] TO 4.318[.170] WIRE INSULATION DIA
- 2 STAMP AMP 16-14* APPROX AS SHOWN,
- 3 APPLIES FROM EDGE OF METAL WIRE BARREL TO CENTER OF STUD HOLE.
- 4 MATERIAL: BODY & SLEEVE: COPPER PER ASTM B152. INSULATION : NYLON
- 5 FINISH: BODY & SLEEVE: TIN PLATE 0.00254[.000100] PER MIN EXT THK PER ASTM B545. INSULATION: COLOR-BLUE.
- 6 INTERNAL EDGE FEATURE MAY BE SOLID OR SCALLOPED
- 7. BODY MATL THK: 0.789±0.051 [.031±.002]

100	LOOSE PC, BOX	8-321045-1
4000	TAPE REEL	2-321045-1
1000	LOOSE PC,	321045
QTY	PACKAGE TYPE	PART NO

AMP INCORPORATED
CUSTOMER SERVICE SYSTEMS

FOR ADDITIONAL PRODUCT INFORMATION OR COPIES OF DRAWINGS AND TECHNICAL DOCUMENTS
PRODUCT INFORMATION CENTER
1-800-522-6752

FOR APPLICATION TOOLING INFORMATION
TOOLING ASSISTANCE CENTER
1-800-722-1111

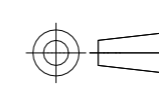


FOR ORDER ENTRY
1-800-526-5142


RECOMMENDED OPERATING TEMPERATURE:
105°C [221°F]

VOLTAGE RATING:
300V MAX

WIRE CROSS SECTIONAL AREA RANGE:
1.04-2.62mm² [2,050-5,180] CIR.MIL
SOLID OR STRANDED

THIS DRAWING IS A CONTROLLED DOCUMENT.

DIMENSIONS: mm [INCHES]	TOLERANCES UNLESS OTHERWISE SPECIFIED:
	0 PLC ± -
	1 PLC ± -
	2 PLC ± -
	3 PLC ± 0.127[.005]
	4 PLC ± -
	ANGLES ± -
MATERIAL	FINISH
	

DWN KIRAN HOLAL 03APR12	 TE Connectivity		
CHK ROHDE DANIEL 03APR12			
APVD ROHDE DANIEL 03APR12	NAME		
PRODUCT SPEC UL 486A-B	TERMINAL, RING TOUNGE P.I.D.G, WIRE SIZE:16-14 AWG		
APPLICATION SPEC 114-2157	SIZE A3	CAGE CODE 00779	DRAWING NO C-321045
WEIGHT -	RESTRICTED TO -		SCALE 5:1
CUSTOMER DRAWING		SHEET 1 OF 1	REV H4

X-ON Electronics

Largest Supplier of Electrical and Electronic Components

Click to view similar products for [Terminals](#) category:

Click to view products by [TE Connectivity](#) manufacturer:

Other Similar products are found below :

[00-054007-01074-6](#) [00-054007-70206-1](#) [00-054007-70210-8](#) [00-054007-70217-7](#) [00-054007-70226-9](#) [00-054007-70228-3](#) [00-054007-70248-1](#) [00-054007-70256-6](#) [00-054007-70301-3](#) [00-054007-70316-7](#) [00-054007-49560-4](#) [00-054007-70209-2](#) [00-054007-70225-2](#) [00-054007-70227-6](#) [00-054007-70231-3](#) [00-054007-70241-2](#) [00-054007-70242-9](#) [00-054007-70244-3](#) [00-054007-70246-7](#) [00-054007-70263-4](#) [00-054007-70288-7](#) [00-054007-70290-0](#) [00-054007-70300-6](#) [00-054007-70304-4](#) [01-2065-1-0216](#) [01-2900-1-04412](#) [00581P0075](#) [600TS-10](#) [60205-1](#) [604200-1](#) [605601-1](#) [60598-1-CUT-TAPE](#) [61314-6-C](#) [61810-3](#) [61-S](#) [61-SN](#) [626-0194](#) [62-NBM-A](#) [62-SN](#) [62-SP](#) [63-S](#) [640179-1](#) [M55155/059I03](#) [M55155/079C01](#) [M55155/099H02](#) [M55155/109H01](#) [M55155/109H02](#) [M55155/12XH05](#) [M55155/16XH02](#) [M55155/29-5S](#)