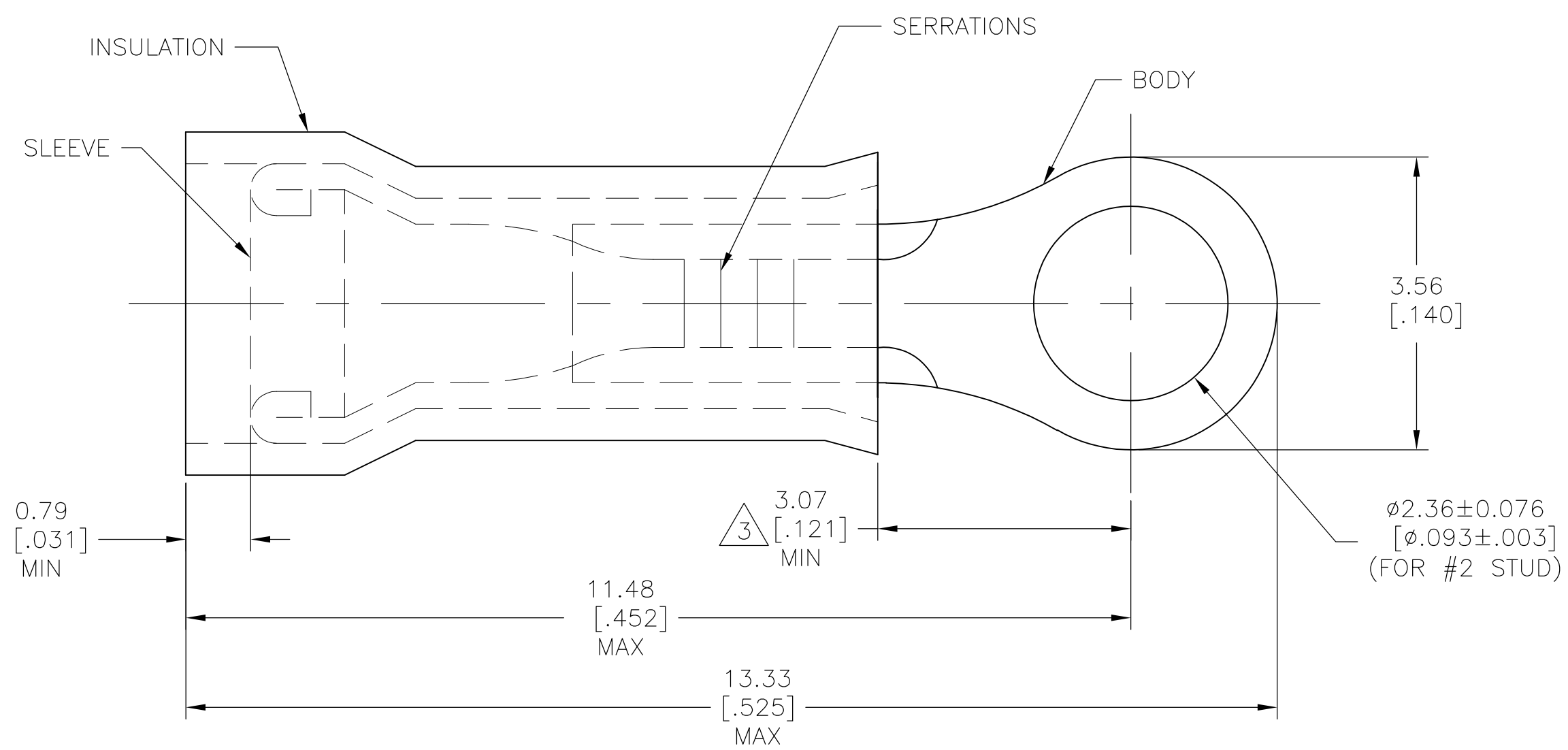


THIS DRAWING IS UNPUBLISHED. RELEASED FOR PUBLICATION
 © COPYRIGHT - By - ALL RIGHTS RESERVED.

LOC	DIST	REVISIONS					
G	14	P	LTR	DESCRIPTION	DATE	DWN	APVD
		H2		REVISED PER ECO-11-004820	11MAR11	RK	HMR



100	LOOSE PIECE, BOX	BODY & SLEEVE: COPPER ASTM-B152 TIN PL ASTM-B545	8-323912-1
4000	323912 ON TAPE		2-323912-1
1	WIRE TERMINAL	INSULATION: NYLON ASTM-D4066 COLOR: YELLOW	323912
QTY	DESCRIPTION	MATERIAL & FINISH	PART NO

- 1 FOR 1.27[.050] TO 2.08[.082] WIRE INSULATION DIA
- 2 TONGUE MATERIAL THK 0.46 ± 0.05 [.018 ± .002]

3 APPLIES FROM EDGE OF METAL BARREL TO CENTERLINE OF STUD HOLE.

THIS DRAWING IS A CONTROLLED DOCUMENT.		DWN RAGHAVENDRA 18MAR10	STE TE Connectivity	
DIMENSIONS: mm [INCHES]		CHK JEFF RUTH 18MAR10		
TOLERANCES UNLESS OTHERWISE SPECIFIED:		APVD TOM MICHIELUTTI 18MAR10	NAME	
0 PLC ± - 1 PLC ± - 2 PLC ± - 3 PLC ± 0.20 [.008] 4 PLC ± - ANGLES ± 0° 30'		PRODUCT SPEC	WIRE TERMINAL PIDG - RING TONGUE WIRE SIZE: 26-22	
MATERIAL SEE TABLE		FINISH SEE TABLE	APPLICATION SPEC	RESTRICTED TO
		WEIGHT -	SIZE A3	CAGE CODE 00779
		CUSTOMER DRAWING	DRAWING NO C-323912	REV H2
		SCALE 16:1	SHEET 1 OF 1	

X-ON Electronics

Largest Supplier of Electrical and Electronic Components

Click to view similar products for [Terminals](#) category:

Click to view products by [TE Connectivity](#) manufacturer:

Other Similar products are found below :

[00-054007-01074-6](#) [00-054007-70206-1](#) [00-054007-70210-8](#) [00-054007-70217-7](#) [00-054007-70226-9](#) [00-054007-70228-3](#) [00-054007-70248-1](#) [00-054007-70256-6](#) [00-054007-70301-3](#) [00-054007-70316-7](#) [00-054007-49560-4](#) [00-054007-70209-2](#) [00-054007-70225-2](#) [00-054007-70227-6](#) [00-054007-70231-3](#) [00-054007-70241-2](#) [00-054007-70242-9](#) [00-054007-70244-3](#) [00-054007-70246-7](#) [00-054007-70263-4](#) [00-054007-70288-7](#) [00-054007-70290-0](#) [00-054007-70300-6](#) [00-054007-70304-4](#) [01-2065-1-0216](#) [01-2900-1-04412](#) [00581P0075](#) [600TS-10](#) [60205-1](#) [604200-1](#) [605601-1](#) [60598-1-CUT-TAPE](#) [61314-6-C](#) [61810-3](#) [61-S](#) [61-SN](#) [626-0194](#) [62-NBM-A](#) [62-SN](#) [62-SP](#) [63-S](#) [640179-1](#) [M55155/059I03](#) [M55155/079C01](#) [M55155/099H02](#) [M55155/109H01](#) [M55155/109H02](#) [M55155/12XH05](#) [M55155/16XH02](#) [M55155/29-5S](#)