

4

3

2

1

THIS DRAWING IS UNPUBLISHED.

RELEASED FOR PUBLICATION

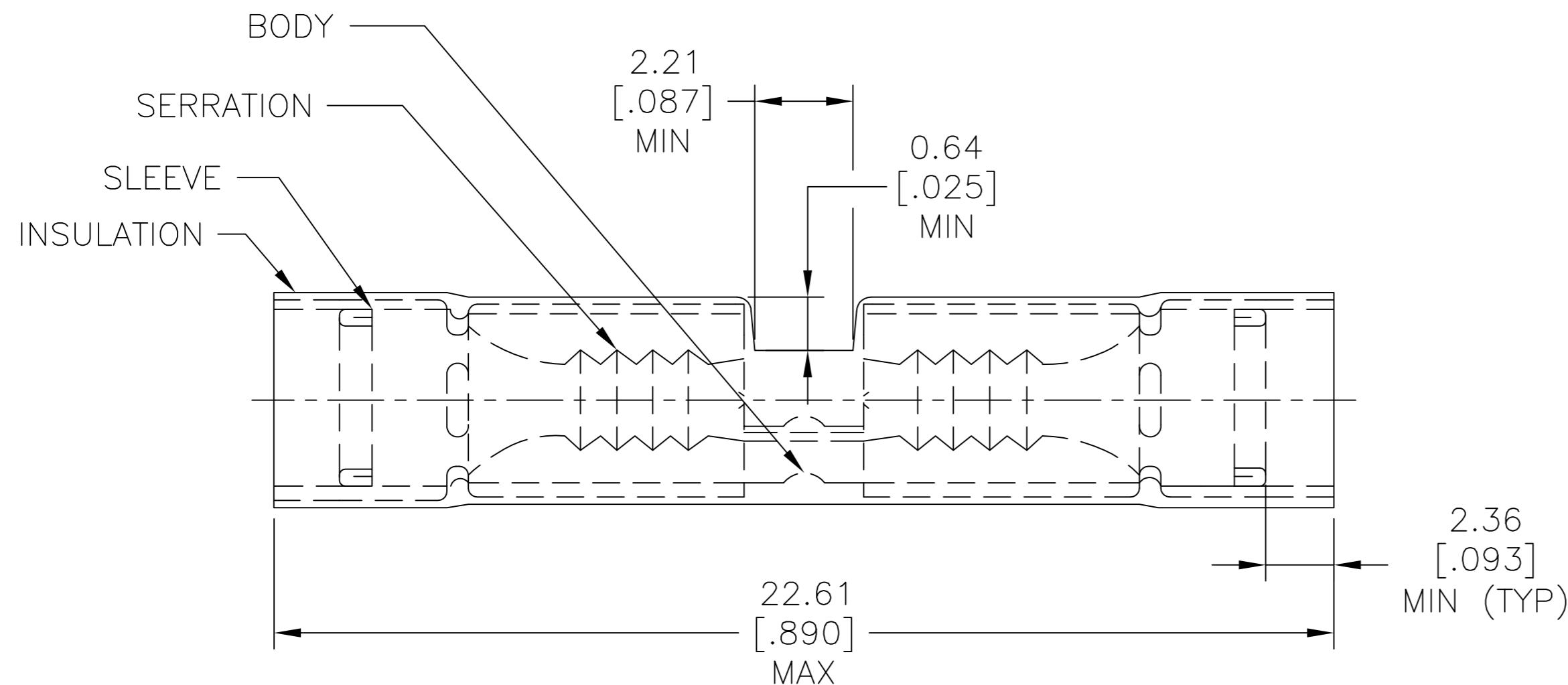
© COPYRIGHT - By -

ALL RIGHTS RESERVED.

REVISIONS

P	LTR	DESCRIPTION	DATE	DWN	APVD
	T3	REVISED PER ECO-11-004820	11MAR11	RK	HMR
	T4	REVISED PER ECO-17-009107	23JUN2017	RS	DR

AMP WIRE RANGE	MILITARY WIRE RANGE
26-22 AWG STRANDED	26-24 AWG STRANDED



- 1 WIRE INSULATION DIA:  $\phi$ 1.27-2.08 [ $\phi$ .050-.082]
- 2 MATERIAL, BODY - COPPER PER ASTM B-152  
SLEEVE - COPPER PER ASTM B-152  
INSULATION - NYLON -COLOR - YELLOW
- 3 NOTE DELETED.

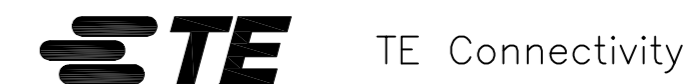
--	25	LOOSE PIECE, BOX	8-323994-3
--	50	LOOSE PIECE, BOX	8-323994-2
--	50	LOOSE PIECE	2-323994-2
--	4000	ON TAPE, REEL	2-323994-1
26-24 M7928/5-1 CLASS 1 & 2	50	LOOSE PIECE	323994
MILITARY P/N & CLASS PER MIL-T-7928	QTY	PACKAGE TYPE	PART NO

AMP INCORPORATED  
CUSTOMER SERVICE SYSTEMS

MAX RECOMMENDED OPERATING TEMPERATURE:  
105°C [221°F]

THIS DRAWING IS A CONTROLLED DOCUMENT.

DWN S.S. GOULDEN 9-28-93



FOR ADDITIONAL PRODUCT INFORMATION OR COPIES OF DRAWINGS AND TECHNICAL DOCUMENTS

PRODUCT INFORMATION CENTER  
1-800-522-6752

VOLTAGE RATING:  
-

DIMENSIONS:  
mm [INCHES]

TOLERANCES UNLESS OTHERWISE SPECIFIED:

CHK R. HERSEY 9-28-93

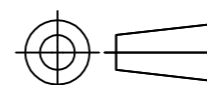
APVD M. ELLIS 9-28-93

NAME  
SPLICE, BUTT, PIDG,  
WIRE SIZE 26-22 AWG

FOR APPLICATION TOOLING INFORMATION

TOOLING ASSISTANCE CENTER  
1-800-722-1111

CIRCULAR MIL AREA:  
0.10-0.41mm<sup>2</sup> [202-810]  
STRANDED



0 PLC ± -  
1 PLC ± -  
2 PLC ± 0.20[.008]  
3 PLC ± -  
4 PLC ± -  
ANGLES ± -

PRODUCT SPEC

APPLICATION SPEC

SIZE CAGE CODE DRAWING NO RESTRICTED TO

FOR ORDER ENTRY

1-800-526-5142

THIS DRAWING IS A CONTROLLED DOCUMENT FOR AMP INCORPORATED. IT IS SUBJECT TO CHANGE AND THE CONTROLLING ENGINEERING ORGANIZATION SHOULD BE CONTACTED FOR THE LATEST REVISION.



FINISH  
TIN PL PER ASTM B-545

WEIGHT

CUSTOMER DRAWING

A3 00779 C=323994

SCALE NTS SHEET 1 OF 1 REV T4

## X-ON Electronics

Largest Supplier of Electrical and Electronic Components

*Click to view similar products for [Terminals](#) category:*

*Click to view products by [TE Connectivity](#) manufacturer:*

Other Similar products are found below :

[00-054007-01074-6](#) [00-054007-70206-1](#) [00-054007-70210-8](#) [00-054007-70217-7](#) [00-054007-70226-9](#) [00-054007-70228-3](#) [00-054007-70248-1](#) [00-054007-70256-6](#) [00-054007-70301-3](#) [00-054007-70316-7](#) [00-054007-49560-4](#) [00-054007-70209-2](#) [00-054007-70225-2](#) [00-054007-70227-6](#) [00-054007-70231-3](#) [00-054007-70241-2](#) [00-054007-70242-9](#) [00-054007-70244-3](#) [00-054007-70246-7](#) [00-054007-70263-4](#) [00-054007-70288-7](#) [00-054007-70290-0](#) [00-054007-70300-6](#) [00-054007-70304-4](#) [01-2065-1-0216](#) [01-2900-1-04412](#) [00581P0075](#) [600TS-10](#) [60205-1](#) [604200-1](#) [605601-1](#) [60598-1-CUT-TAPE](#) [61314-6-C](#) [61810-3](#) [61-S](#) [61-SN](#) [626-0194](#) [62-NBM-A](#) [62-SN](#) [62-SP](#) [63-S](#) [640179-1](#) [M55155/059I03](#) [M55155/079C01](#) [M55155/099H02](#) [M55155/109H01](#) [M55155/109H02](#) [M55155/12XH05](#) [M55155/16XH02](#) [M55155/29-5S](#)