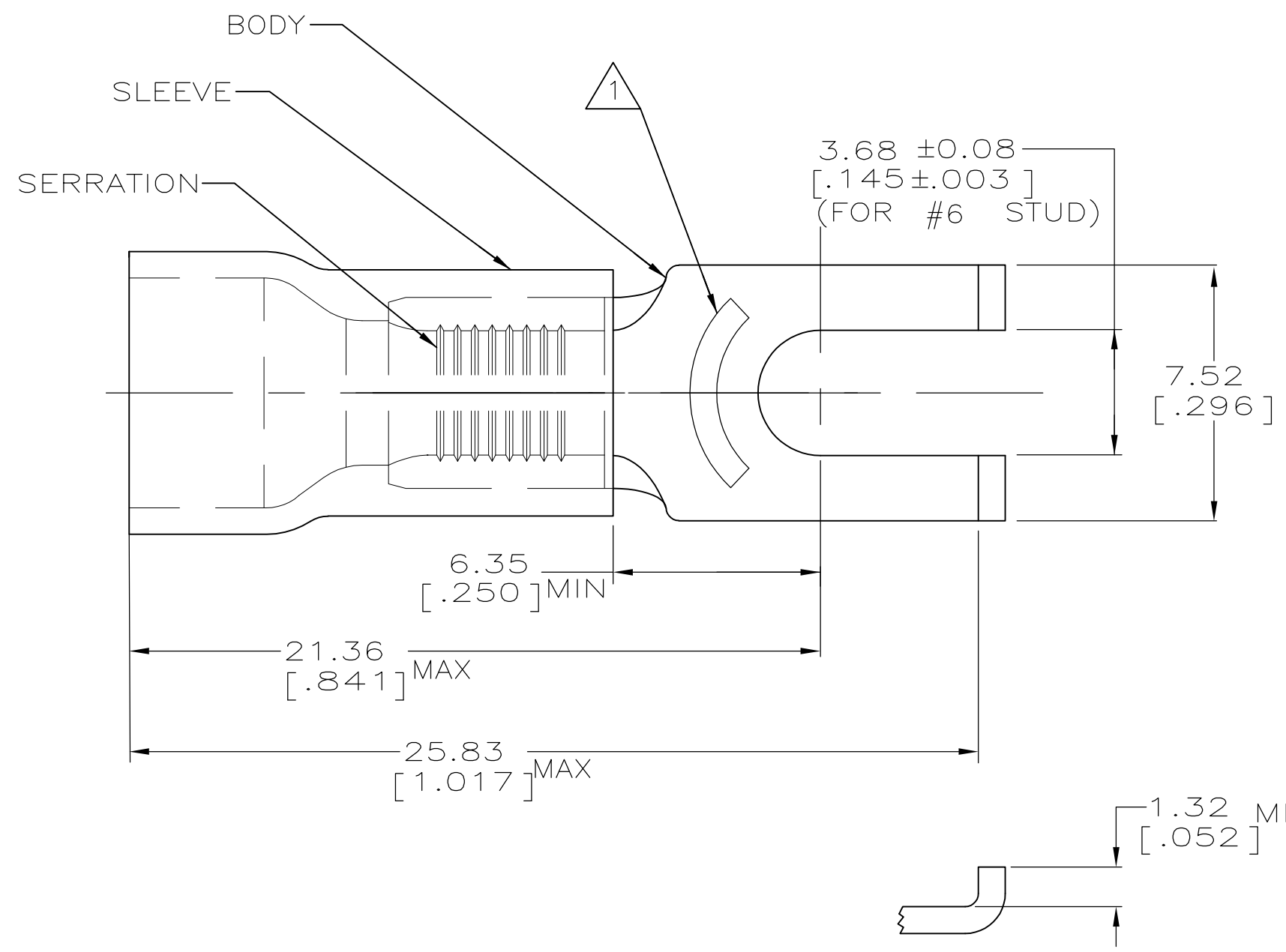


THIS DRAWING IS UNPUBLISHED. RELEASED FOR PUBLICATION  
 © COPYRIGHT - By - ALL RIGHTS RESERVED.

| LOC | DIST | REVISIONS |     |                           |         |     |      |
|-----|------|-----------|-----|---------------------------|---------|-----|------|
| G   | 14   | P         | LTR | DESCRIPTION               | DATE    | DWN | APVD |
|     |      | R1        |     | REVISED PER ECO-11-004917 | 11MAR11 | RK  | HMR  |

|                                |                                |                                |
|--------------------------------|--------------------------------|--------------------------------|
| <b>AMP</b><br>WIRE RANGE       | Listed<br>FILE E13288          | LR7189<br>Certified            |
| 12-10 AWG<br>SOLID OR STRANDED | 12-10 AWG<br>SOLID OR STRANDED | 12-10 AWG<br>SOLID OR STRANDED |



- ① STAMP AMP 12-10\* APPROX AS SHOWN
- 2. WIRE INSUL DIA, 3.81-6.35 [.150-.250]
- 3. TONGUE MATL THK, 1.02±0.05 [.040±.002]
- ④ MATERIAL: BODY - CU PER ASTM B152  
SLEEVE - PVC, COLOR - YELLOW

| 50   | LOOSE PIECE, BOX | 8-324581-2 |
|------|------------------|------------|
| 2500 | ON TAPE, REEL    | 1-324581-1 |
| 500  | LOOSE PIECE      | 324581     |
| QTY  | PACKAGE TYPE     | PART NO    |

|  |  |   |  |   |                            |                   |      |           |            |               |
|--|--|---|--|---|----------------------------|-------------------|------|-----------|------------|---------------|
| <b>AMP INCORPORATED<br/>CUSTOMER SERVICE SYSTEMS</b>                             |  | MAX RECOMMENDED OPERATING TEMPERATURE:<br>105°C   | THIS DRAWING IS A CONTROLLED DOCUMENT. |   | DWN<br>L OLMEDA<br>05SEP95 | TE Connectivity   |      |           |            |               |
| FOR ADDITIONAL PRODUCT INFORMATION OR COPIES OF DRAWINGS AND TECHNICAL DOCUMENTS | PRODUCT INFORMATION CENTER<br>1-800-522-6752 | VOLTAGE RATING:<br>600V MAX<br>(1000V FIXTURE OR SIGN)  | DIMENSIONS:<br>mm[INCHES]              | TOLERANCES UNLESS OTHERWISE SPECIFIED:  | CHK<br>M ELLIS<br>05SEP95  |                   |      |           | NAME       |               |
| FOR APPLICATION TOOLING INFORMATION  | TOOLING ASSISTANCE CENTER<br>1-800-722-1111  | CIRCULAR MIL AREA:<br>2.62-6.64mm² [5,180-13,100]<br>SOLID OR STRANDED  |  | 0 PLC ± -<br>1 PLC ± -<br>2 PLC ± 0.20 [.008]<br>3 PLC ± -<br>4 PLC ± -<br>ANGLES ± - | APVD<br>G NGO<br>05SEP95   | PRODUCT SPEC      |      |           |            |               |
| FOR ORDER ENTRY  | 1-800-526-5142                               | THIS DRAWING IS A CONTROLLED DOCUMENT FOR AMP INCORPORATED. IT IS SUBJECT TO CHANGE AND THE CONTROLLING ENGINEERING ORGANIZATION SHOULD BE CONTACTED FOR THE LATEST REVISION. | MATERIAL<br>④                          | FINISH<br>TIN PER ASTM B545   | PRODUCT SPEC<br>UL 486A    | APPLICATION SPEC  | SIZE | CAGE CODE | DRAWING NO | RESTRICTED TO |
|  |  |   |  |   | WEIGHT                     | A3 00779 C-324581 |      |           |            |               |
|  |  |   |  |   | CUSTOMER DRAWING           |                   |      | SCALE     | SHEET      | REV           |
|  |  |   |  |   |                            |                   |      | 6:1       | 1 OF 1     | R1            |

## X-ON Electronics

Largest Supplier of Electrical and Electronic Components

*Click to view similar products for [Terminals](#) category:*

*Click to view products by [TE Connectivity](#) manufacturer:*

Other Similar products are found below :

[00-054007-01074-6](#) [00-054007-70206-1](#) [00-054007-70210-8](#) [00-054007-70217-7](#) [00-054007-70226-9](#) [00-054007-70228-3](#) [00-054007-70248-1](#) [00-054007-70256-6](#) [00-054007-70301-3](#) [00-054007-70316-7](#) [0-0320562-0](#) [00-054007-49560-4](#) [00-054007-70209-2](#) [00-054007-70225-2](#) [00-054007-70227-6](#) [00-054007-70231-3](#) [00-054007-70241-2](#) [00-054007-70242-9](#) [00-054007-70244-3](#) [00-054007-70246-7](#) [00-054007-70263-4](#) [00-054007-70288-7](#) [00-054007-70290-0](#) [00-054007-70300-6](#) [00-054007-70304-4](#) [01-2065-1-0216](#) [01-2900-1-04412](#) [00581P0075](#) [600TS-10](#) [60205-1](#) [604200-1](#) [605601-1](#) [60598-1-CUT-TAPE](#) [61314-6-C](#) [61810-3](#) [61-S](#) [61-SN](#) [626-0194](#) [62-NBM-A](#) [62-SN](#) [62-SP](#) [63-S](#) [640179-1](#) [M55155/059I03](#) [M55155/079C01](#) [M55155/099H02](#) [M55155/109H01](#) [M55155/109H02](#) [M55155/12XH05](#) [M55155/16XH02](#)