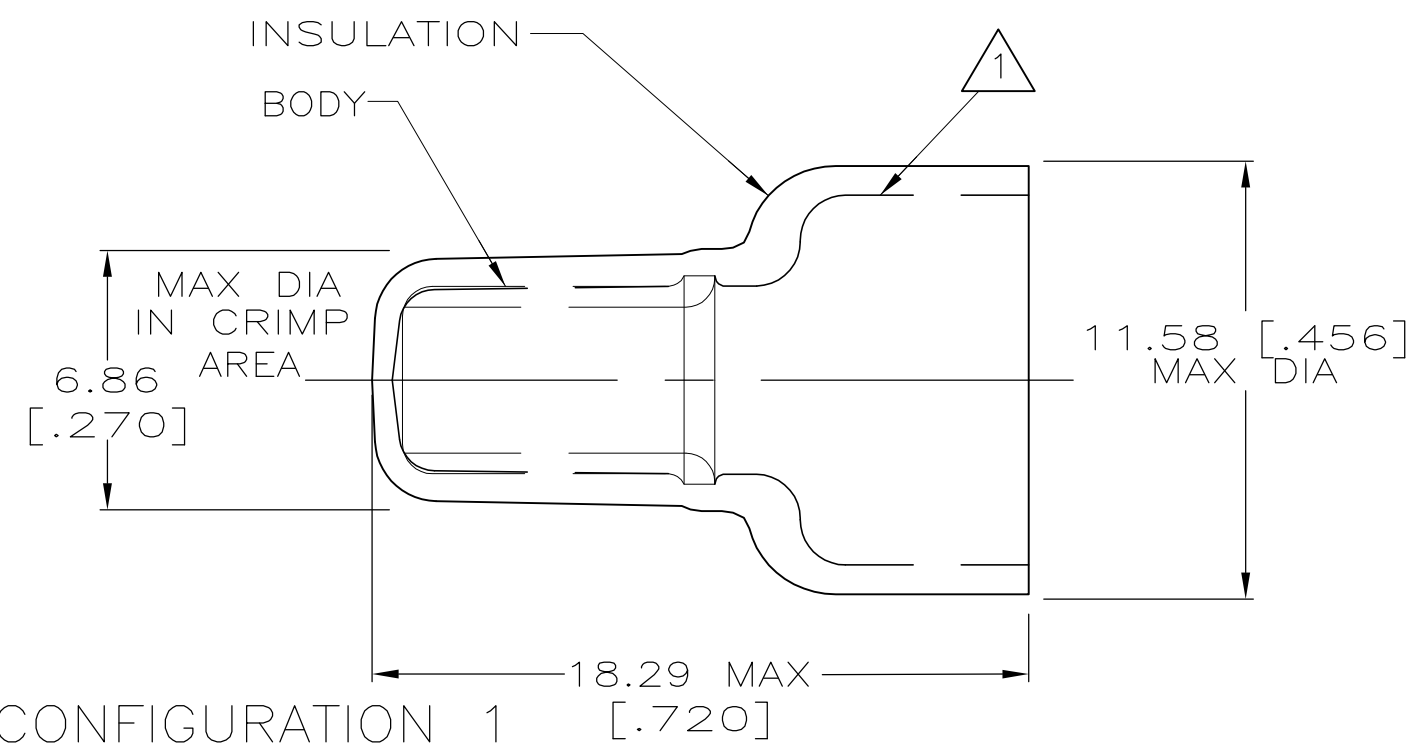
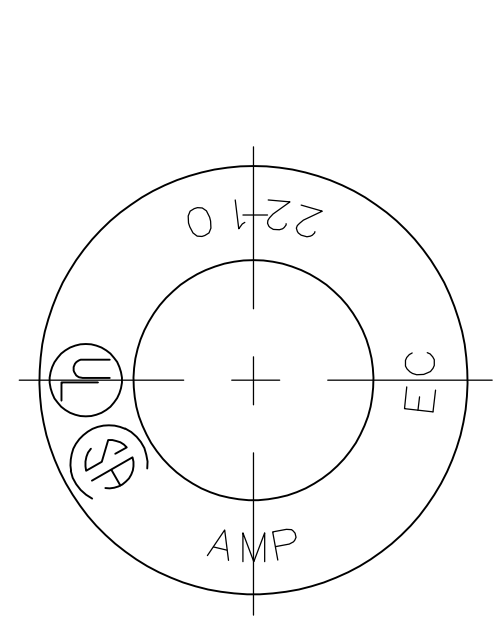
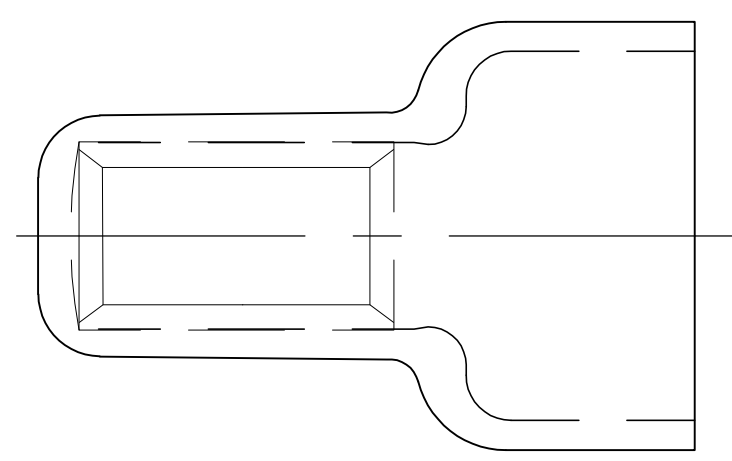
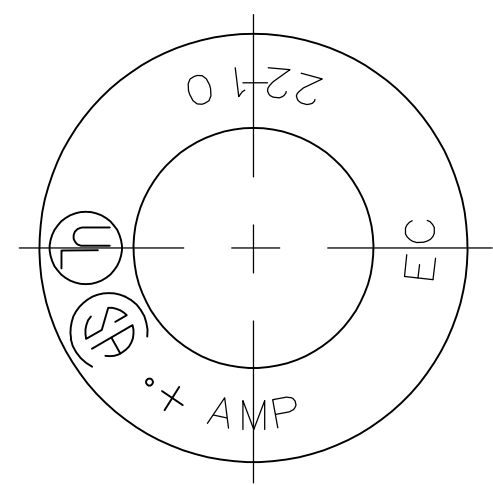


THIS DRAWING IS UNPUBLISHED. RELEASED FOR PUBLICATION
 © COPYRIGHT - By - ALL RIGHTS RESERVED.

LOC	DIST	REVISIONS					
G	14	P	LTR	DESCRIPTION	DATE	DWN	APVD
		AD1		REVISED PER ECO-11-004917	11MAR11	RK	HMR



CONFIGURATION 1 [.720]



CONFIGURATION 2

- 1 FOR 9.53 [.375] MAX WIRE INSULATION DIA
- 2 SUPERSEDED BY 328730
- 3 MATERIAL: BODY; COPPER PER ASTM B152 INSULATION; NYLON COLOR; NATURAL
- 4 FINISH: BODY; TIN PL. PER ASTM B545
- 5 PARTS MAY CONFORM TO EITHER COFIGURATION 1 OR 2

WIRE RANGE	Listed	LR7189 Certified
22-10 AWG SOLID OR STRANDED	22-10 AWG SOLID OR STRANDED	22-10 AWG SOLID OR STRANDED

100	LOOSE PC, BOX	8-328730-1
10000	SPECIAL PKG	2 328730-1
1500	TAPE MOUNTED	2-328730-1
2000	LOOSE PIECE	328730
QTY	DESCRIPTION	PART NO

AMP INCORPORATED CUSTOMER SERVICE SYSTEMS	
FOR ADDITIONAL PRODUCT INFORMATION OR COPIES OF DRAWINGS AND TECHNICAL DOCUMENTS	PRODUCT INFORMATION CENTER 1-800-522-6752
FOR APPLICATION TOOLING INFORMATION	TOOLING ASSISTANCE CENTER 1-800-722-1111
FOR ORDER ENTRY	1-800-526-5142

MAX RECOMMENDED OPERATING TEMPERATURE:
105° C MAX

VOLTAGE RATING:
600V MAX (BUILDING & WIRING)
1000V MAX (FIXTURES & SIGNS)

CIRCULAR MIL AREA:
1.65-6.64mm² [3248-13100]
SOLID OR STRANDED

THIS DRAWING IS A CONTROLLED DOCUMENT.

DIMENSIONS:	TOLERANCES UNLESS OTHERWISE SPECIFIED:
INCHES	
	0 PLC ± -
	1 PLC ± -
	2 PLC ± 0.20 [.008]
	3 PLC ± -
	4 PLC ± -
	ANGLES ± -
MATERIAL	FINISH
3	4

DWN	G KRUPER	1/93
CHK	R HERSEY	1/93
APVD	M ELLIS	1/93
PRODUCT SPEC	UL 486 C	
APPLICATION SPEC	-	
WEIGHT	-	

TE Connectivity			
NAME SPLICE, CLOSED END, WIRE SIZE, 22-10 AWG			
SIZE	CAGE CODE	DRAWING NO	RESTRICTED TO
A3	00779	C-328730	-
CUSTOMER DRAWING		SCALE 5:1	SHEET 1 OF 1 REV AD1

X-ON Electronics

Largest Supplier of Electrical and Electronic Components

Click to view similar products for [Terminals](#) category:

Click to view products by [TE Connectivity](#) manufacturer:

Other Similar products are found below :

[00-054007-01074-6](#) [00-054007-70206-1](#) [00-054007-70210-8](#) [00-054007-70217-7](#) [00-054007-70226-9](#) [00-054007-70228-3](#) [00-054007-70248-1](#) [00-054007-70256-6](#) [00-054007-70301-3](#) [00-054007-70316-7](#) [0-0320562-0](#) [00-054007-49560-4](#) [00-054007-70209-2](#) [00-054007-70225-2](#) [00-054007-70227-6](#) [00-054007-70231-3](#) [00-054007-70241-2](#) [00-054007-70242-9](#) [00-054007-70244-3](#) [00-054007-70246-7](#) [00-054007-70263-4](#) [00-054007-70288-7](#) [00-054007-70290-0](#) [00-054007-70300-6](#) [00-054007-70304-4](#) [01-2065-1-0216](#) [01-2900-1-04412](#) [00581P0075](#) [600TS-10](#) [60205-1](#) [604200-1](#) [605601-1](#) [60598-1-CUT-TAPE](#) [61314-6-C](#) [61810-3](#) [61-S](#) [61-SN](#) [626-0194](#) [62-NBM-A](#) [62-SN](#) [62-SP](#) [63-S](#) [640179-1](#) [M55155/059I03](#) [M55155/079C01](#) [M55155/099H02](#) [M55155/109H01](#) [M55155/109H02](#) [M55155/12XH05](#) [M55155/16XH02](#)