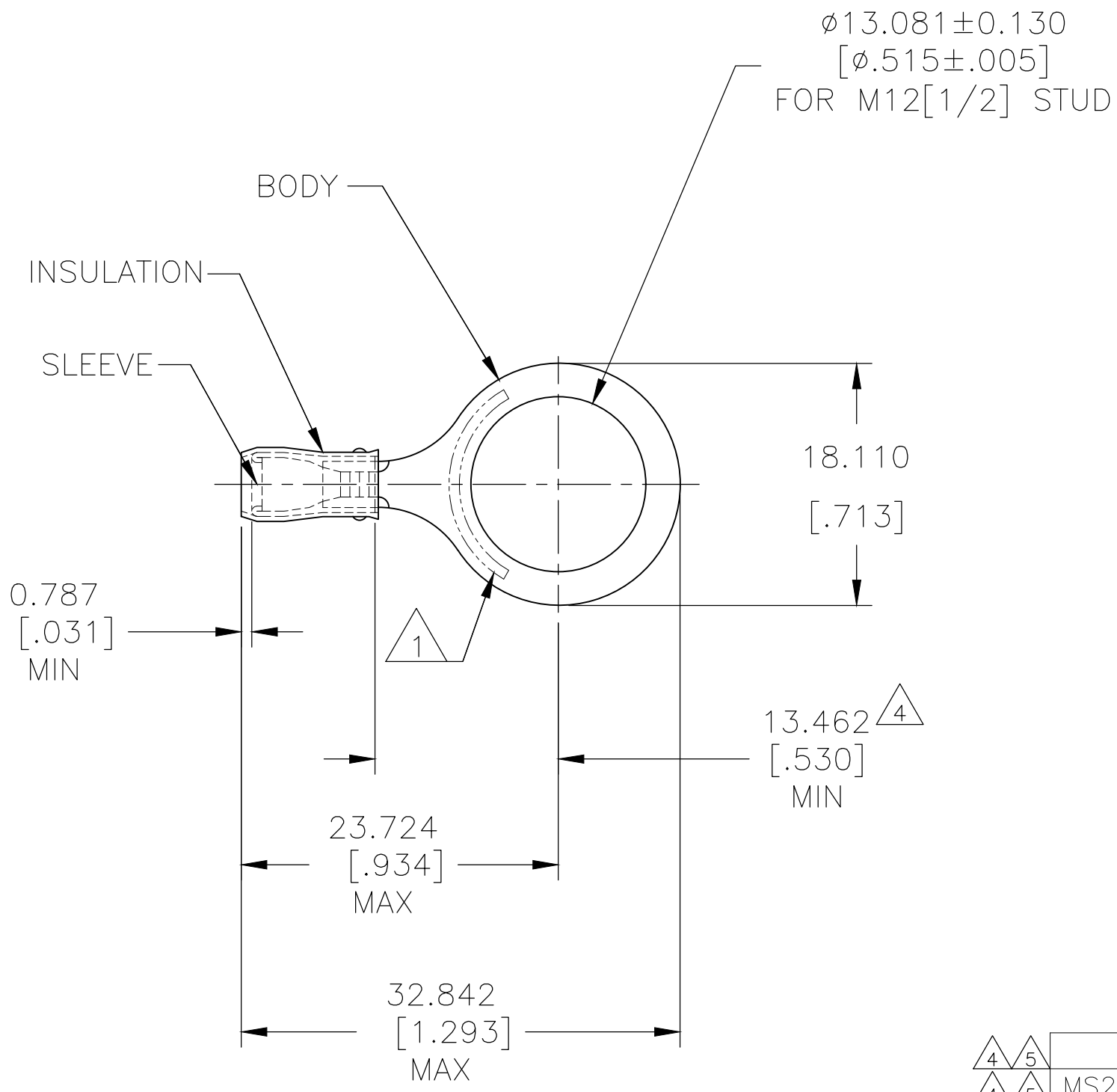


THIS DRAWING IS UNPUBLISHED. RELEASED FOR PUBLICATION
 © COPYRIGHT - By - ALL RIGHTS RESERVED.

LOC	DIST	REVISIONS			
P	LTR	DESCRIPTION	DATE	DWN	APVD
G	14	P1	REVISED PER ECO-19-007720	21MAY2020	KR DR



AMP WIRE RANGE	UL E13288 Listed	LR7189 Certified
22-16 AWG SOLID OR STRANDED	22-16 AWG STRANDED	22-16 AWG SOLID OR STRANDED

- 1 STAMP AMP 22-18* APPROX AS SHOWN
22-16 TERMINALS ARE STAMPED 22-18 IN
ACCORDANCE WITH MILITARY SPEC SAE AS7928
COMMERCIAL WIRE RANGE IS 22-16.
- 2 WIRE INSULATION DIA: 2.032-3.175[.080-.125].
- 3 BODY MATERIAL THK: 0.787±0.051[.031±.002].
- 4 APPLIES FROM EDGE OF METAL WIRE BARREL
TO CENTER OF STUD HOLE.
- 5 UL LISTED
- 6 CSA CERTIFIED

MILITARY P/N AND CLASS	QUANTITY	PACKAGE TYPE	PART NO
-	100	LOOSE PIECE, BOX	8-328975-1
MS25036-151 CLASS 1 & 2	1000	LOOSE PIECE	328975

AMP INCORPORATED
CUSTOMER SERVICE SYSTEMS

FOR ADDITIONAL PRODUCT INFORMATION OR COPIES OF DRAWINGS AND TECHNICAL DOCUMENTS
 PRODUCT INFORMATION CENTER
 1-800-522-6752

FOR APPLICATION TOOLING ASSISTANCE CENTER
 TOOLING INFORMATION
 1-800-722-1111

FOR ORDER ENTRY
 1-800-526-5142

MAX RECOMMENDED OPERATING TEMPERATURE:
 105°C[221°F] MAX

VOLTAGE RATING:
 300 V MAX

CIRCULAR MIL AREA:
 0.26-1.65mm²[509-3,260] CIR MILS
 SOLID OR STRANDED

THIS DRAWING IS A CONTROLLED DOCUMENT.

DIMENSIONS: mm [INCHES]

TOLERANCES UNLESS OTHERWISE SPECIFIED:
 0 PLC ± -
 1 PLC ± -
 2 PLC ± -
 3 PLC ± 0.127[.005]
 4 PLC ± -
 ANGLES ± -

MATERIAL: BODY & SLEEVE COPPER PER ASTM B-152 INSULATION: NYLON

FINISH: BODY & SLEEVE TIN PLATE PER ASTM B545 INSULATION: COLOR-RED

DWN DK SCHRUM 9/8/93
 CHK RE HERSEY 9/8/93
 APVD ML ELLIS 9/8/93

PRODUCT SPEC: **UL 486A-B** 5

APPLICATION SPEC: 114-2157

WEIGHT: -

CUSTOMER DRAWING

STE TE Connectivity

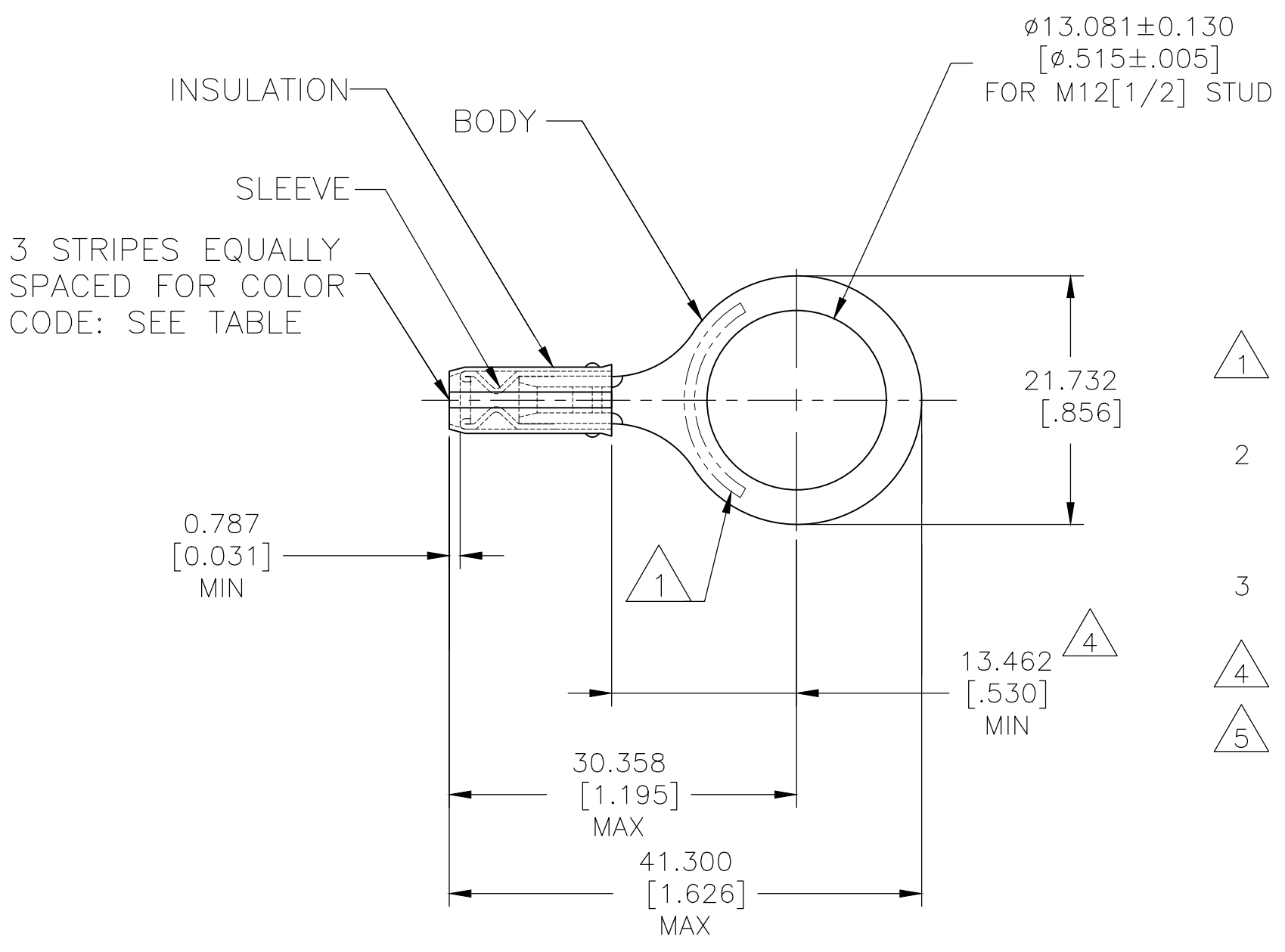
NAME: TERMINAL, RING TONGUE, PIDG™, WIRE SIZE, 22-16 AWG

SIZE: A3 CAGE CODE: 00779 DRAWING NO: C-328975 RESTRICTED TO: -

SCALE: NTS SHEET: 1 OF 2 REV: P1

THIS DRAWING IS UNPUBLISHED. RELEASED FOR PUBLICATION
 © COPYRIGHT - By - ALL RIGHTS RESERVED.

LOC	DIST	REVISIONS			
P	LTR	DESCRIPTION	DATE	DWN	APVD
G	14	-	SEE SHEET 1	-	-



AMP WIRE RANGE	LR7189 Certified
SEE TABLE STRANDED	WIRE SIZE PER TABLE STRANDED

- 1 STAMP AMP APPROX AS SHOWN SEE TABLE BELOW.
- 2 WIRE INSULATION DIA: 0.965-2.794 [.038-.110] FOR 22 AWG
1.168-2.794 [.046-.110] FOR 20 AWG
1.422-2.794 [.056-.110] FOR 18 AWG
- 3 BODY MATERIAL THK: 0.787±0.051 [.031±.002].
- 4 APPLIES FROM EDGE OF METAL WIRE BARREL TO CENTER OF STUD HOLE.
- 5 CSA CERTIFIED

MILITARY P/N AND CLASS	STRIPE COLOR	1 STAMPING	WIRE SIZE	QUANTITY	PACKAGE TYPE	PART NO
M7928/1-37 CLASS 1 & 2	WHITE		18*	18	1000	LOOSE PIECE 2-328975-3
M7928/1-28 CLASS 1 & 2	RED		20*	20	1000	LOOSE PIECE 2-328975-2
M7928/1-19 CLASS 1 & 2	GREEN		22*	22	1000	LOOSE PIECE 2-328975-1

AMP INCORPORATED CUSTOMER SERVICE SYSTEMS		MAX RECOMMENDED OPERATING TEMPERATURE: 105°C [221°F] MAX	THIS DRAWING IS A CONTROLLED DOCUMENT.		DWN DK SCHRUM 9/8/93	TE Connectivity			
FOR ADDITIONAL PRODUCT INFORMATION OR COPIES OF DRAWINGS AND TECHNICAL DOCUMENTS	PRODUCT INFORMATION CENTER 1-800-522-6752	VOLTAGE RATING: 300 V MAX	DIMENSIONS: mm [INCHES]	TOLERANCES UNLESS OTHERWISE SPECIFIED:	CHK RE HERSEY 9/8/93				NAME
FOR APPLICATION TOOLING INFORMATION	TOOLING ASSISTANCE CENTER 1-800-722-1111	WIRE RANGE: CIRC MIL AREA 22 0.38mm² [754] 20 0.60mm² [1,186] 18 0.96mm² [1,900] STRANDED		0 PLC ± - 1 PLC ± - 2 PLC ± - 3 PLC ± 0.127 [0.005] 4 PLC ± - ANGLES ± -	APVD ML ELLIS 9/8/93	PRODUCT SPEC			
FOR ORDER ENTRY	1-800-526-5142		MATERIAL BODY & SLEEVE COPPER PER ASTM B-152 INSULATION: NYLON	FINISH BODY & SLEEVE TIN PLATE PER ASTM B545 INSULATION: COLOR-RED	APPLICATION SPEC 114-2157	SIZE	CAGE CODE	DRAWING NO	RESTRICTED TO
					WEIGHT -	A3	00779	C-328975	-
					CUSTOMER DRAWING	SCALE NTS	SHEET 2 OF 2	REV P1	

X-ON Electronics

Largest Supplier of Electrical and Electronic Components

Click to view similar products for [Terminals](#) category:

Click to view products by [TE Connectivity](#) manufacturer:

Other Similar products are found below :

[00-054007-01074-6](#) [00-054007-70206-1](#) [00-054007-70210-8](#) [00-054007-70217-7](#) [00-054007-70226-9](#) [00-054007-70228-3](#) [00-054007-70248-1](#) [00-054007-70256-6](#) [00-054007-70301-3](#) [00-054007-70316-7](#) [0-0320562-0](#) [00-054007-49560-4](#) [00-054007-70209-2](#) [00-054007-70225-2](#) [00-054007-70227-6](#) [00-054007-70231-3](#) [00-054007-70241-2](#) [00-054007-70242-9](#) [00-054007-70244-3](#) [00-054007-70246-7](#) [00-054007-70263-4](#) [00-054007-70288-7](#) [00-054007-70290-0](#) [00-054007-70300-6](#) [00-054007-70304-4](#) [01-2065-1-0216](#) [01-2900-1-04412](#) [00581P0075](#) [600TS-10](#) [60205-1](#) [604200-1](#) [605601-1](#) [60598-1-CUT-TAPE](#) [61314-6-C](#) [61810-3](#) [61-S](#) [61-SN](#) [626-0194](#) [62-NBM-A](#) [62-SN](#) [62-SP](#) [63-S](#) [640179-1](#) [M55155/059I03](#) [M55155/079C01](#) [M55155/099H02](#) [M55155/109H01](#) [M55155/109H02](#) [M55155/12XH05](#) [M55155/16XH02](#)