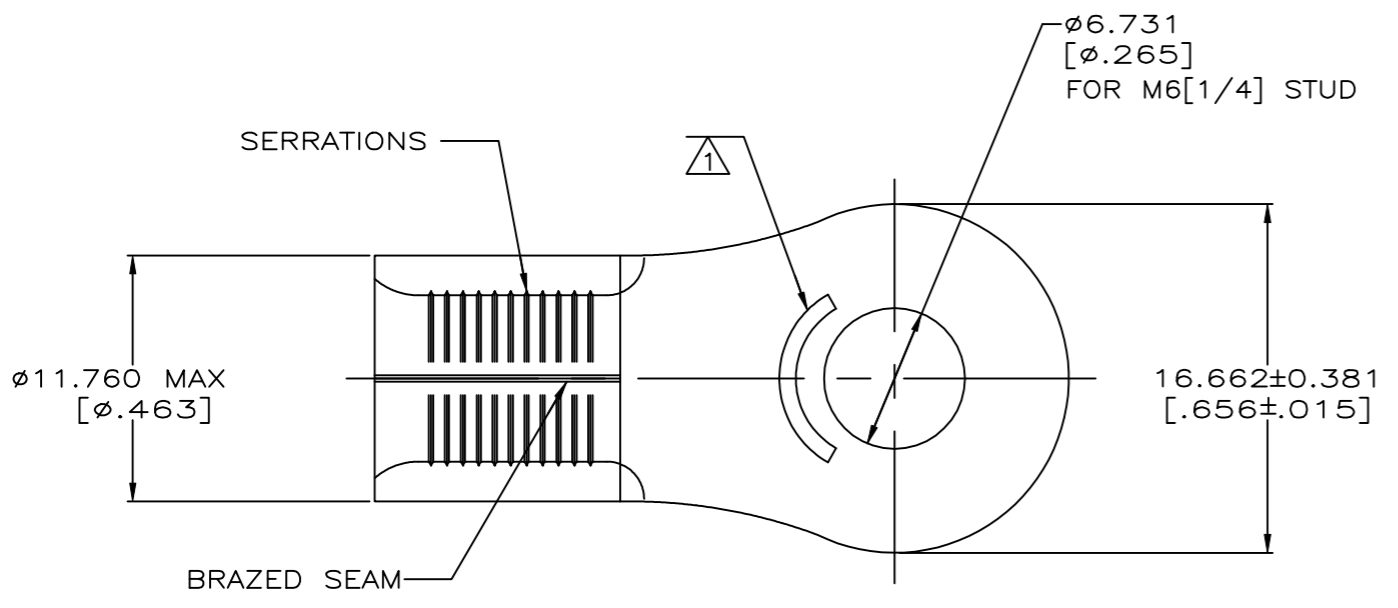
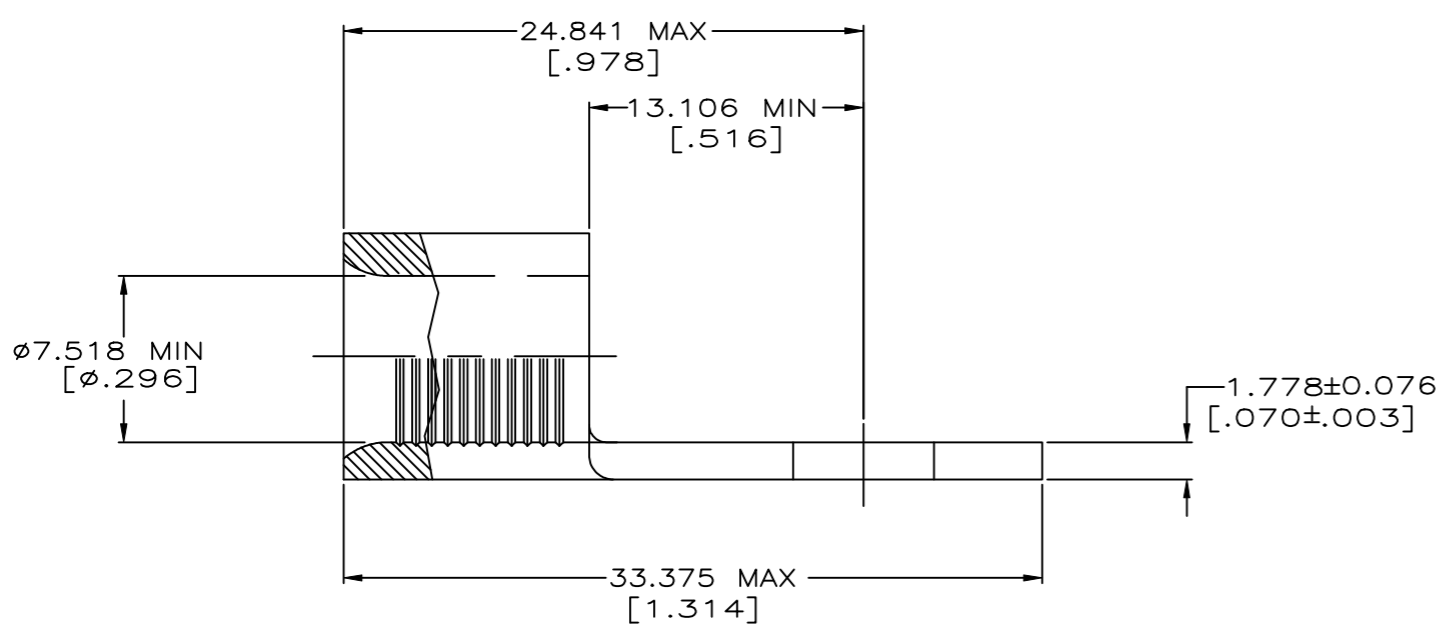


| REVISIONS | | | | | |
|-----------|-----|---------------------------|-----------|-----|------|
| P | LTR | DESCRIPTION | DATE | DWN | APVD |
| L1 | | REVISED PER ECO-11-004820 | 11MAR11 | RK | HMR |
| L2 | | REVISED PER ECO-18-017879 | 14NOV2018 | RS | DR |



| | |
|----------------------------|---------------------------|
| AMP WIRE RANGE | E13288 Listed |
| 4 AWG SOLID OR STRANDED | 4 AWG STRANDED |
| LR7189 Certified | MILITARY P/N AND CLASS |
| 4 AWG SOLID OR STRANDED | NOT APPLICABLE |

- ① STAMP AMP 4* APPROX AS SHOWN
- ② TIN PLATE 0.00254[.000100] MIN EXT.
THK TIN PER ASTM B545
- ③ UNPLATED/CLEANED.



| | | |
|--|--|---|
| AMP INCORPORATED CUSTOMER SERVICE SYSTEMS | | MAX RECOMMENDED OPERATING TEMPERATURE: 170°C[338°F] MAX |
| FOR ADDITIONAL PRODUCT INFORMATION OR COPIES OF DRAWINGS AND TECHNICAL DOCUMENTS | PRODUCT INFORMATION CENTER 1-800-522-6752 | VOLTAGE RATING: NOT APPLICABLE |
| FOR APPLICATION TOOLING INFORMATION | TOOLING ASSISTANCE CENTER 1-800-722-1111 | WIRE CROSS SECTIONAL AREA RANGE: 16.8-26.7mm ² [33,100-52,600] CIR MILS SOLID OR STRANDED |
| FOR ORDER ENTRY | 1-800-526-5142 | THIS DRAWING IS A CONTROLLED DOCUMENT FOR AMP INCORPORATED. IT IS SUBJECT TO CHANGE AND THE CONTROLLING ENGINEERING ORGANIZATION SHOULD BE CONTACTED FOR THE LATEST REVISION. |

| | | | |
|----------|--------|------------------|-----------|
| 50 | ② | LOOSE PIECE, BOX | 8-33469-2 |
| 500 | ② | ON TAPE, REEL | 2-33469-4 |
| 100 | ③ | LOOSE PIECE | 33469-1 |
| 100 | ② | LOOSE PIECE | 33469 |
| QUANTITY | FINISH | PACKAGING TYPE | PART NO |

| | | | | |
|---|---------------------|--------------------------------|------------------------------|---|
| THIS DRAWING IS A CONTROLLED DOCUMENT. | | DWN TA BRINKMAN 3-29-93 | TE Connectivity | |
| DIMENSIONS: mm[INCHES] | | CHK DA PATTERSON 3-29-93 | NAME DE MILLER 3-29-93 | |
| TOLERANCES UNLESS OTHERWISE SPECIFIED: 0 PLC ± - 1 PLC ± - 2 PLC ± - 3 PLC ± .127[0.005] 4 PLC ± - ANGLES ± - | | PRODUCT SPEC UL 486 A-B | | TERMINAL, RING TONGUE, SOLISTRAND 4 AWG |
| MATERIAL COPPER PER ASTM B-152 ANNEALED | FINISH SEE TABLE | APVD DE MILLER 3-29-93 | APPLICATION SPEC | RESTRICTED TO |
| CUSTOMER DRAWING | | WEIGHT - | SIZE A2 | CAGE CODE 00779 |
| SCALE 4:1 | | DRAWING NO C-33469 | SHEET 1 of 1 | |
| | | REV L2 | | |

X-ON Electronics

Largest Supplier of Electrical and Electronic Components

Click to view similar products for [Terminals](#) category:

Click to view products by [TE Connectivity](#) manufacturer:

Other Similar products are found below :

[00-054007-01074-6](#) [00-054007-70206-1](#) [00-054007-70210-8](#) [00-054007-70217-7](#) [00-054007-70226-9](#) [00-054007-70228-3](#) [00-054007-70248-1](#) [00-054007-70256-6](#) [00-054007-70301-3](#) [00-054007-70316-7](#) [00-054007-49560-4](#) [00-054007-70209-2](#) [00-054007-70225-2](#) [00-054007-70227-6](#) [00-054007-70231-3](#) [00-054007-70241-2](#) [00-054007-70242-9](#) [00-054007-70244-3](#) [00-054007-70246-7](#) [00-054007-70263-4](#) [00-054007-70288-7](#) [00-054007-70290-0](#) [00-054007-70300-6](#) [00-054007-70304-4](#) [01-2065-1-0216](#) [01-2900-1-04412](#) [00581P0075](#) [600TS-10](#) [60205-1](#) [604200-1](#) [605601-1](#) [60598-1-CUT-TAPE](#) [61314-6-C](#) [61810-3](#) [61-S](#) [61-SN](#) [626-0194](#) [62-NBM-A](#) [62-SN](#) [62-SP](#) [63-S](#) [640179-1](#) [M55155/059I03](#) [M55155/079C01](#) [M55155/099H02](#) [M55155/109H01](#) [M55155/109H02](#) [M55155/12XH05](#) [M55155/16XH02](#) [M55155/29-5S](#)