

THIS DRAWING IS UNPUBLISHED.

RELEASED FOR PUBLICATION

© COPYRIGHT -

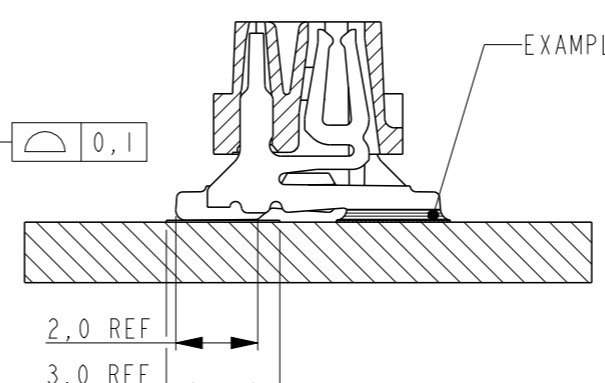
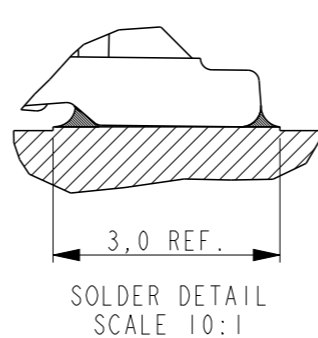
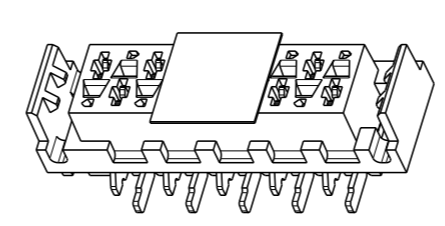
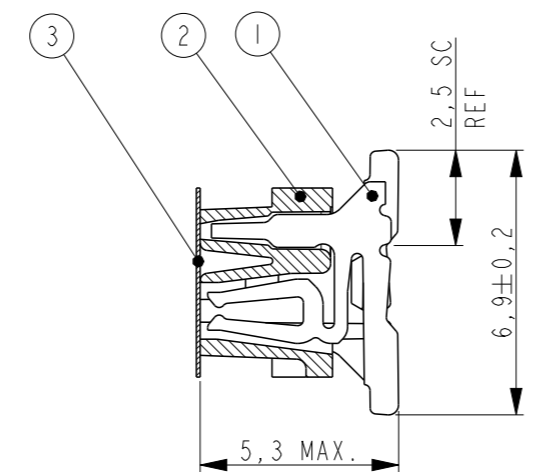
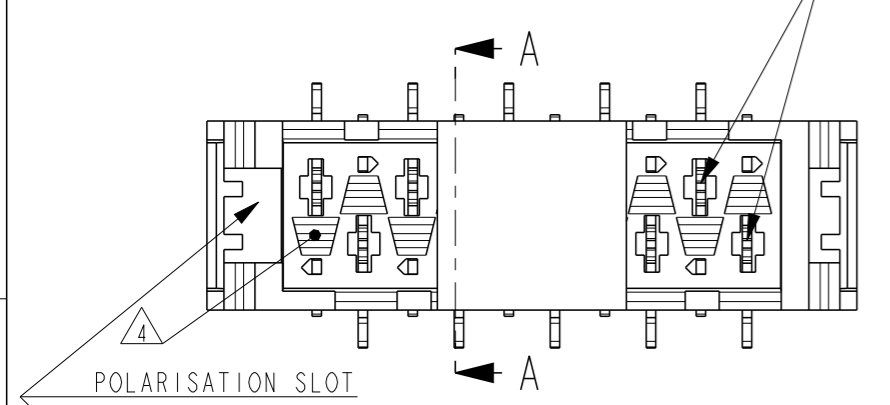
ALL RIGHTS RESERVED.

LOC H DIST -

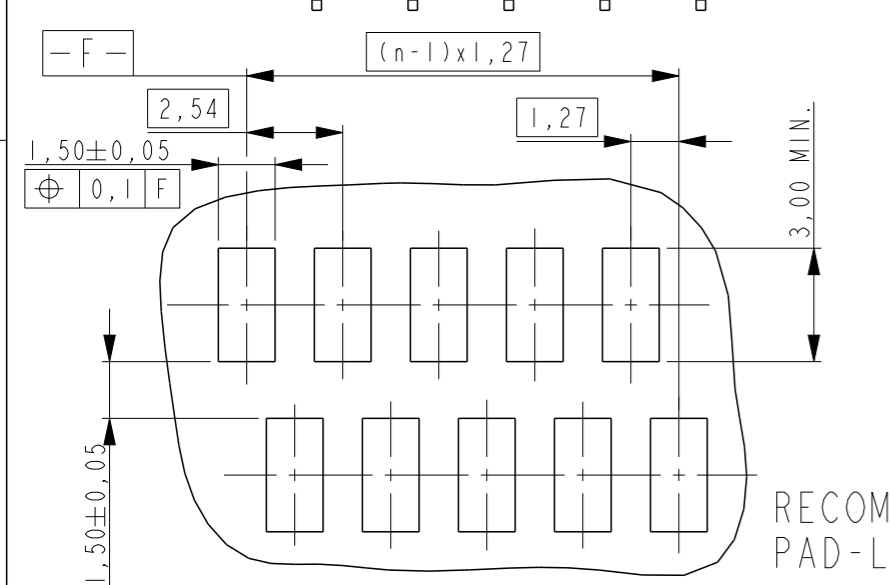
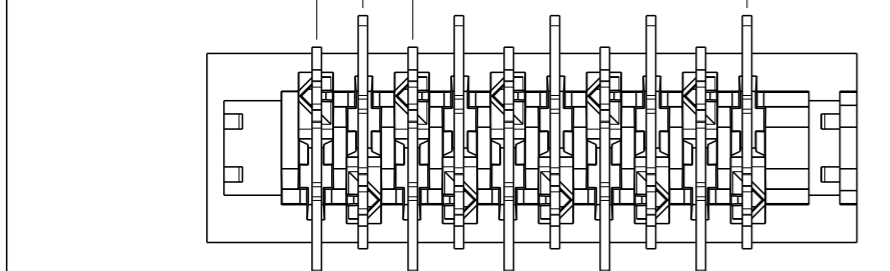
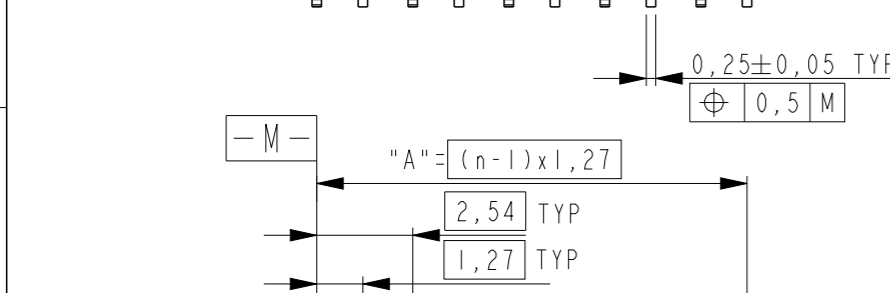
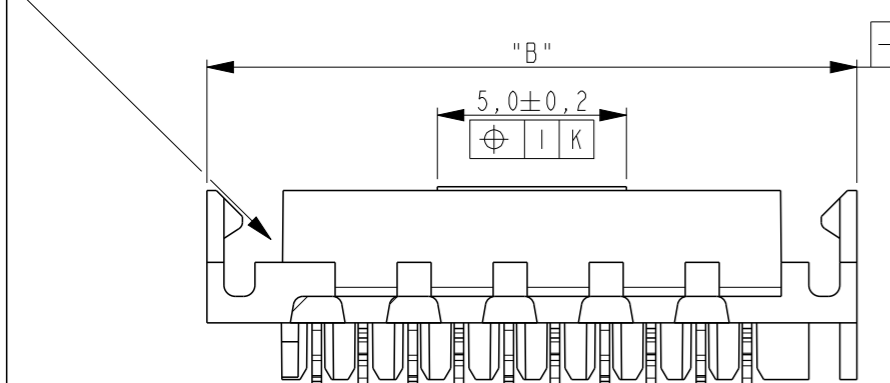
REVISIONS

| P | LTR | DESCRIPTION | DATE | DWN | APVD |
|----|-----|--|-----------|-----|------|
| H3 | | APPLICATION SPECIFICATION NUMBER ADDED | 24JUL2013 | KJK | RP |
| H4 | | BLISTER MATERIAL CHANGE FOR 16POS | 05MAY2015 | NV | PS |

REFERENCE MATING INTERFACE PATTERN:
1,27 STAGGERED PITCH x 1,5 ROW-DISTANCE.

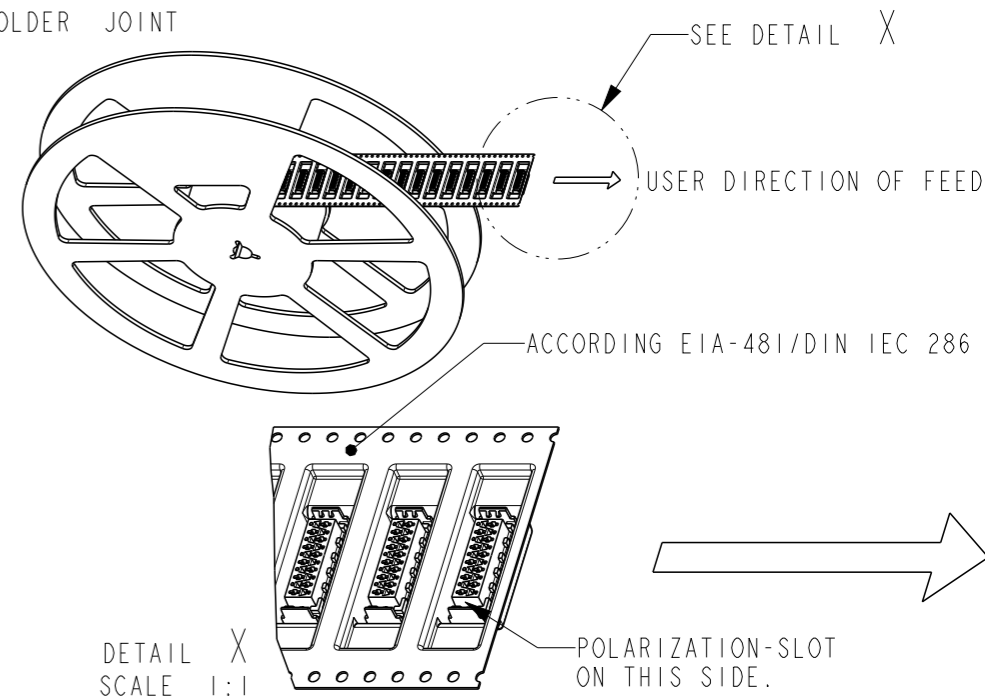


| △ PART NUMBER VAC. TAPE. | PART NUMBER ³ | PART REV | NR. OF POS. "n" | "A" | "B" MAX. |
|--------------------------|--------------------------|----------|-----------------|-------|----------|
| 7-338069-4 | 0-338069-4 | K | 4 | 3,81 | 9,7 |
| 7-338069-6 | 0-338069-6 | K | 6 | 6,35 | 12,2 |
| 7-338069-8 | 0-338069-8 | K | 8 | 8,89 | 14,7 |
| 8-338069-0 | 1-338069-0 | K | 10 | 11,43 | 17,3 |
| 8-338069-2 | 1-338069-2 | K | 12 | 13,97 | 19,8 |
| 8-338069-4 | 1-338069-4 | K | 14 | 16,51 | 22,4 |
| 8-338069-6 | 1-338069-6 | L | 16 | 19,05 | 24,9 |
| 8-338069-8 | 1-338069-8 | K | 18 | 21,59 | 27,4 |
| 9-338069-0 | 2-338069-0 | K | 20 | 24,13 | 30,0 |
| 9-338069-4 | 2-338069-4 | K | 24 | 29,21 | 35,0 |



NOTES:

- △ TAPE FOR VACUUM P&P ONLY FOR DASH NUMBERS 7- /8- /9-
- 2 FOR PACKAGING SEE SHEET 2 AND 3
- △ 3 WITHOUT VACUUM TAPE.
- △ 4 CORING-OUTS FOR MANUFACTURING PURPOSE ONLY. SHAPE MAY VARY, BUT IS NOT FUNCTIONAL FOR THE APPLICATION.
- 5 SHOWN IS A 10 POSITION CONNECTOR.



| Item no. | Description | Material | Finish |
|----------|-------------------|------------------|-------------------|
| 3 | PICK & PLACE TAPE | KAPTON | AMBER TRANSPARENT |
| 2 | FEMALE HOUSING | POLYAMIDE 4/6,GF | RED |
| 1 | FEMALE CONTACT | PHOSPHOR BRONZE | TIN OVER NICKEL |

| | |
|--|--|
| THIS DRAWING IS A CONTROLLED DOCUMENT. | |
| DIMENSIONS: mm | TOLERANCES UNLESS OTHERWISE SPECIFIED: |
| 0 PLC | ±- |
| 1 PLC | ±- |
| 2 PLC | ±- |
| 3 PLC | ±- |
| 4 PLC | ±- |
| ANGLES | ±- |
| FINISH | SEE TABLE |
| MATERIAL | SEE TABLE |

DWN M. Gosselink IDECO1

CHK -

APVD -

PRODUCT SPEC 108-19052

APPLICATION SPEC 114-13318

WEIGHT -

CUSTOMER DRAWING

STE TE Connectivity

CONNECTOR, FEMALE-ON-BOARD TOP-ENTRY, SMD, WITH LATCHES, Micro-MaTch

SIZE A3 CAGE CODE 00779 DRAWING NO C-338069 RESTRICTED TO -

SCALE 5:1 SHEET 1 OF 3 REV H4

THIS DRAWING IS UNPUBLISHED.

RELEASED FOR PUBLICATION

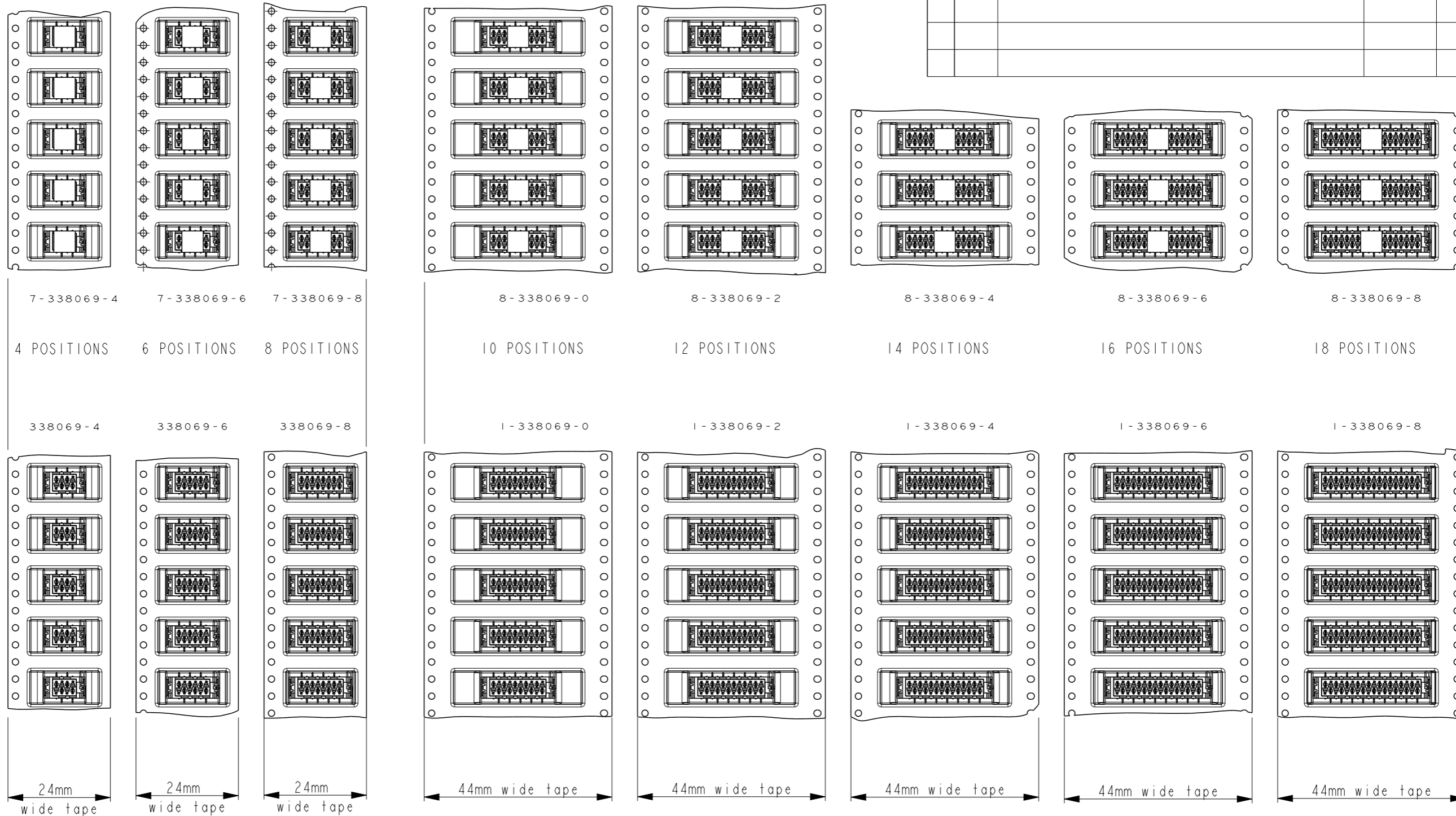
© COPYRIGHT -


ALL RIGHTS RESERVED.

LOC H DIST -

REVISIONS

| P | LTR | DESCRIPTION | DATE | DWN | APVD |
|---|-----|-------------|------|-----|------|
| - | - | SEE SHEET 1 | - | - | - |



| | | | |
|--|--|----------------------------|---|
| THIS DRAWING IS A CONTROLLED DOCUMENT. | | DWN M. Gosselink IIDE01 |  TE Connectivity |
| DIMENSIONS: mm | | CHK - | |
| TOLERANCES UNLESS OTHERWISE SPECIFIED: | | APVD - | NAME CONNECTOR, FEMALE-ON-BOARD TOP-ENTRY, SMD, WITH LATCHES, Micro-MaTch |
| 0 PLC ±- | | PRODUCT SPEC 108-19052 | |
| 1 PLC ±- | | APPLICATION SPEC 114-13318 | SIZE A3 |
| 2 PLC ±- | | WEIGHT - | CAGE CODE 00779 |
| 3 PLC ±- | | CUSTOMER DRAWING | DRAWING NO C-338069 |
| 4 PLC ±- | | | RESTRICTED TO - |
| ANGLES ±- | | SCALE 5:1 | SHEET 2 OF 3 |
| FINISH - | | REV H4 | |

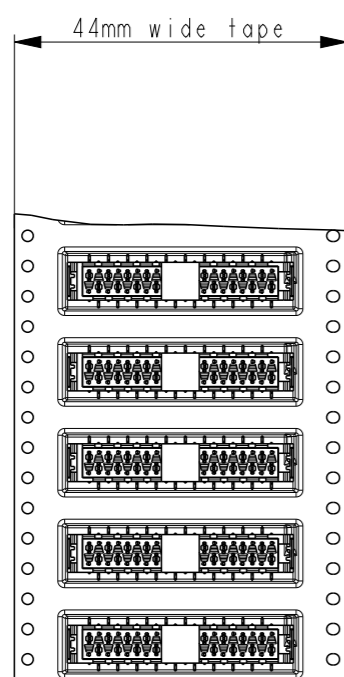
THIS DRAWING IS UNPUBLISHED.

RELEASED FOR PUBLICATION

© COPYRIGHT -

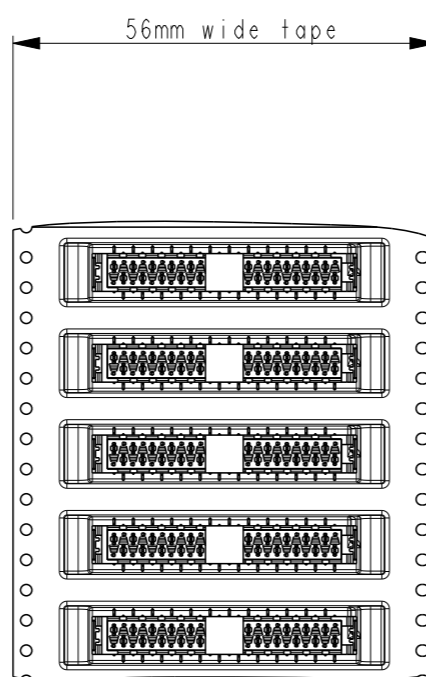
ALL RIGHTS RESERVED.

| LOC | DIST | REVISIONS | | | |
|-----|------|-------------|------|-----|------|
| P | LTR | DESCRIPTION | DATE | DWN | APVD |
| | | SEE SHEET 1 | - | - | - |
| | | | | | |
| | | | | | |



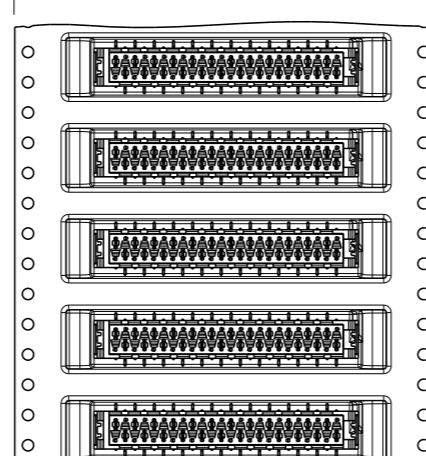
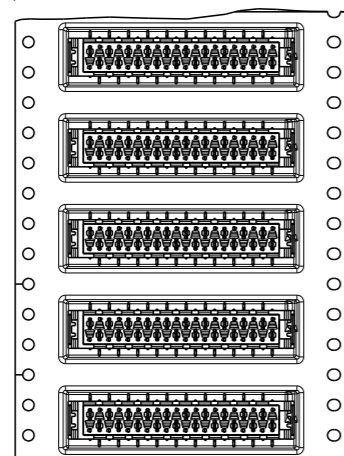
44mm wide tape

9-338069-0
20 POSITIONS
2-338069-0



56mm wide tape

9-338069-4
24 POSITIONS
2-338069-4



| | | | | |
|--|--|-------------------------------|--|--------------------|
| THIS DRAWING IS A CONTROLLED DOCUMENT. | | DWN M. Gosselink | I IDEC01 | |
| DIMENSIONS: mm | | CHK - | TE Connectivity | |
| TOLERANCES UNLESS OTHERWISE SPECIFIED: | | APVD - | NAME CONNECTOR, FEMALE-ON-BOARD TOP-ENTRY, SMD, WITH LATCHES, Micro-MaTch | |
| 0 PLC ±- | | PRODUCT SPEC 108-19052 | SIZE A3 | CAGE CODE 00779 |
| 1 PLC ±- | | APPLICATION SPEC 114-13318 | DRAWING NO C-338069 | RESTRICTED TO - |
| 2 PLC ±- | | WEIGHT - | | |
| 3 PLC ±- | | CUSTOMER DRAWING | | |
| 4 PLC ±- | | SCALE 5:1 | | |
| ANGLES ±- | | SHEET 3 OF 3 | | |
| FINISH - | | REV H4 | | |

X-ON Electronics

Largest Supplier of Electrical and Electronic Components

Click to view similar products for [Headers & Wire Housings](#) category:

Click to view products by [TE Connectivity](#) manufacturer:

Other Similar products are found below :

[892-18-020-10-001101](#) [58102-G61-06LF](#) [582553-1](#) [0009485154](#) [009176003701906](#) [0050291907](#) [LY20-4P-DT1-P1E-BR](#) [02.125.8002.8](#)
[609-3404](#) [61062-3](#) [61082-181009](#) [622-3653LF](#) [63453-116](#) [636-1030](#) [636-1427](#) [636-3427](#) [636-4007](#) [641938-9](#) [641991-4](#) [644827-2](#) [65817-](#)
[010LF](#) [65817-015LF](#) [65863-015LF](#) [66207-023LF](#) [67095-007LF](#) [67601157](#) [68645-018](#) [68648-049](#) [70.362.1628.0](#) [70-4210](#) [70-4226B](#) [70-](#)
[4853B](#) [707-5020](#) [707-5028](#) [71.350.2428.0](#) [71918-208LF](#) [71961-016LF](#) [733-134](#) [733-162](#) [754199-000](#) [760-3052](#) [787-8014-00](#) [79531-3000](#)
[FCN-360C032-B](#) [FCN-367T-T012/H](#) [FCN-723D010/2](#) [80.063.4001.1](#) [800-90-001-10-001000](#) [800-90-010-10-002000](#) [801-43-002-10-013000](#)