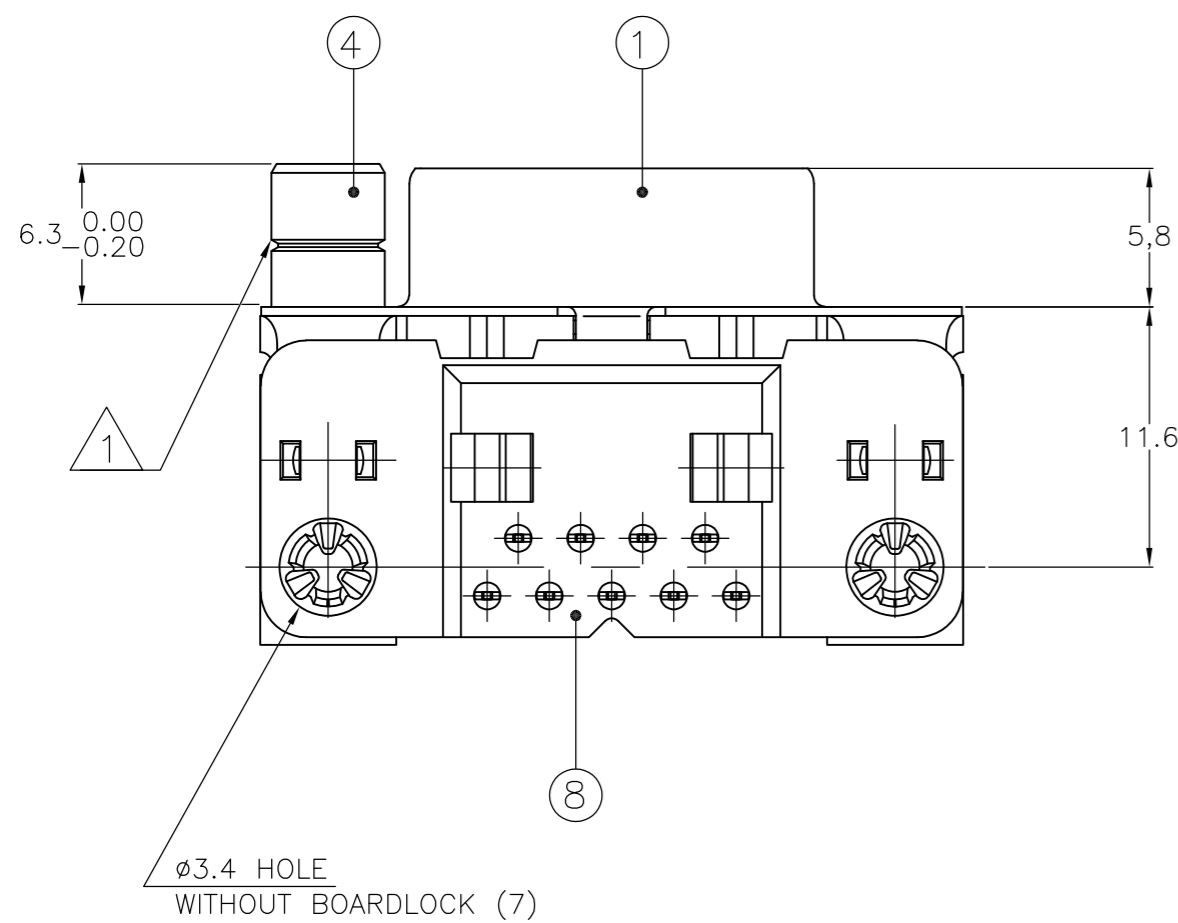
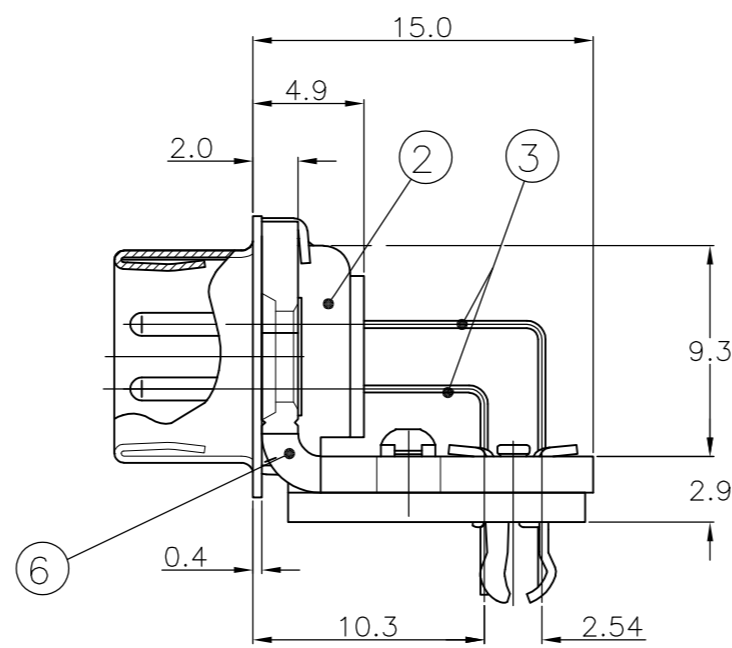
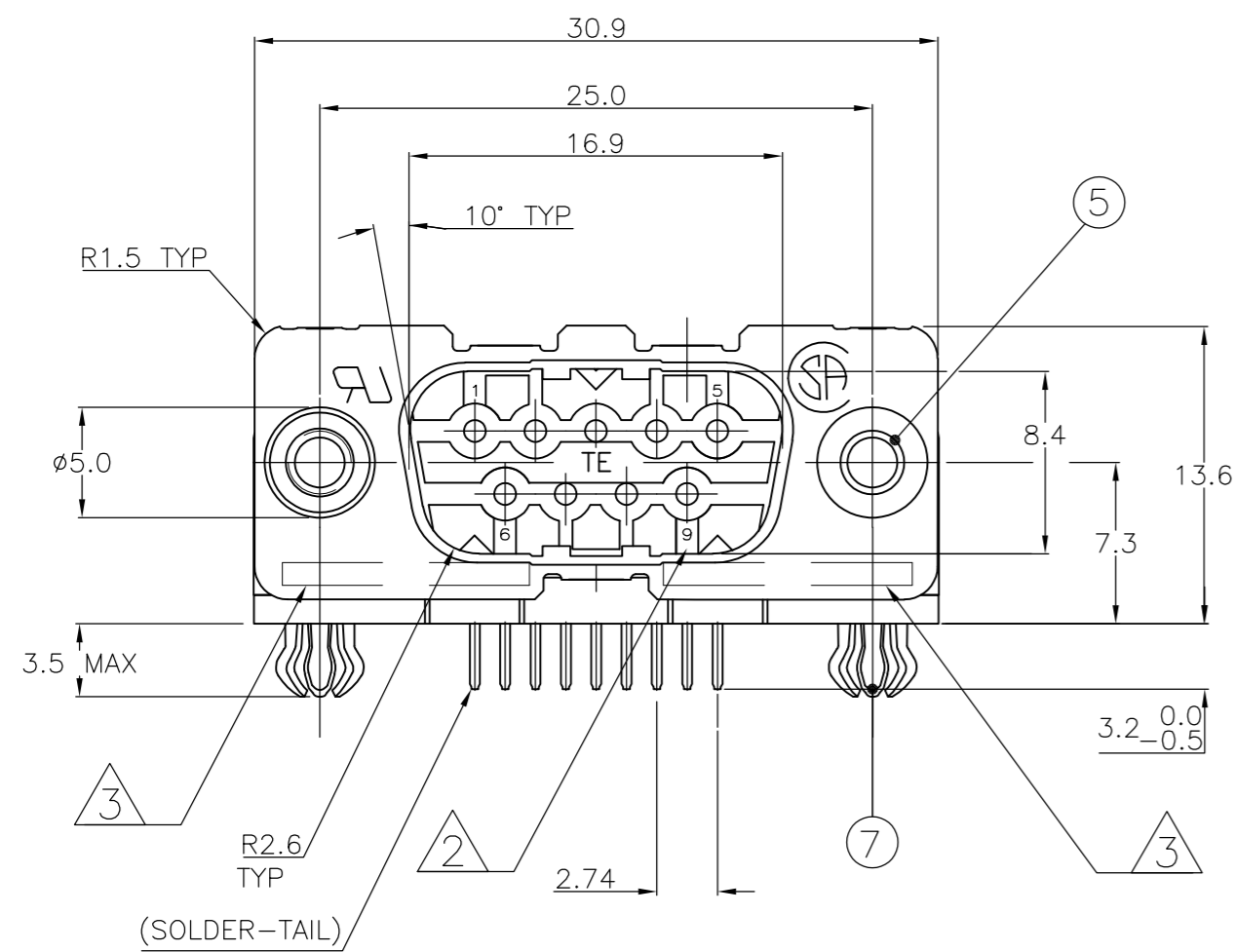


THIS DRAWING IS UNPUBLISHED. RELEASED FOR PUBLICATION
 © COPYRIGHT - By - ALL RIGHTS RESERVED.

LOC	DIST	REVISIONS			
P	LTR	DESCRIPTION	DATE	DWN	APVD
GP	00				
		K	REVISED PER ECO-15-004948	27APR2015	AP SB



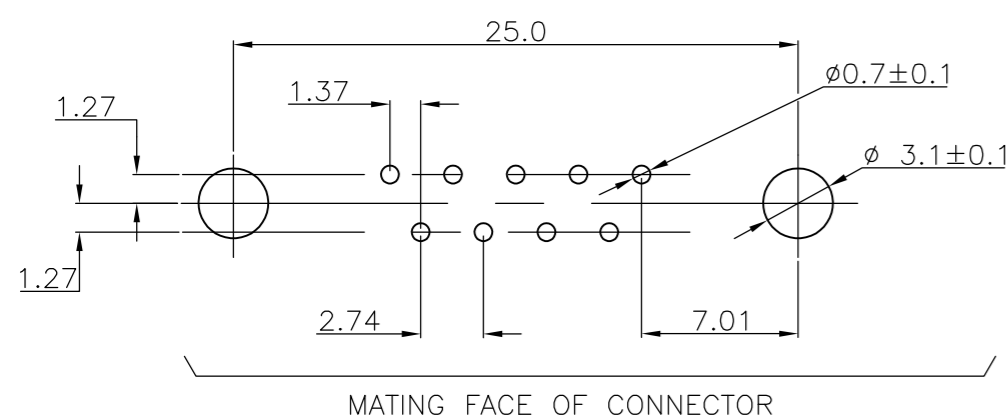
ACCESSORIES	ITEM NO	DESCRIPTION OF ACCESSORY	QUANTITIES											
			1	2	3	4	5	6	7	8	9			
	5	∅3.1 INSERT	2				2							
	5	INSERT WITH INNER THREAD 4-40 UNC		2					2					
	5	INSERT WITH INNER THREAD M3			2					2				
	4	FEMALE SCREWLOCK WITH 4-40 UNC				2							2	
	4	FEMALE SCREWLOCK WITH M3					2							2
	7	BOARDLOCK	2	2	2	2	2							

- 1 GROOVE INDICATES VERSION WITH 4-40 UNC INNER THREAD; WITHOUT GROOVE INDICATES VERSION WITH M3 INNER THREAD.
- 2 CAVITY IDENTIFICATION AT FRONT SIDE ONLY.
- 3 PART NUMBER AND DATE CODE.
- 4. SHELL HAS 2x2 GROUNDING SPRINGS; PITCH IS 3.6.
- 5. AIR AND CREEPAGE DISTANCES ACCORDING TO DIN 41652.
- 6. CONTACT FINISH: GOLD FLASH OVER PALLADIUM-NICKEL PLATE OR GOLD PLATE ON THE MATING SURFACES, TIN PLATE ON THE SOLDER-TAILS, NICKEL UNDERPLATE ON THE ENTIRE CONTACT. MATING SURFACE FINISH MEETS PERFORMANCE LEVEL 2 PER DIN 41652.

ITEM NO/MATERIAL :

1 SHELL	: BRIGHT TIN PLATED STEEL
2 HOUSING	: GLASS FILLED POLYESTER, COLOR : BLACK
3 CONTACTS	: PHOSPHOR BRONZE (PLATING : SEE NOTES)
4 FEMALE SCREWLOCK	: TIN PLATED STEEL (INNER THREAD 4-40 UNC OR M3)
5 INSERT	: TIN PLATED STEEL (INNER THREAD 4-40 UNC OR M3 OR ∅3.1 THRU-HOLE)
6 BRACKET	: TIN PLATED STEEL
7 BOARDLOCK	: TIN PLATED PHOSPHOR BRONZE
8 SOLDER TAIL ALIGNMENT PLATE	: GLASS FILLED NYLON. COLOR : BLACK

RECOMMENDED P.C. BOARD HOLE-LAYOUT



THIS DRAWING IS A CONTROLLED DOCUMENT. DIMENSIONING AND TOLERANCING PER ASME Y14.5M-2009		DWN D. KESSLER 18 JAN 99		
DIMENSIONS: mm		CHK W. SOOMERS		
TOLERANCES UNLESS OTHERWISE SPECIFIED:		APVD	PRODUCT SPEC	
0 PLC ± -		APPLICATION SPEC		SIZE
1 PLC ± 0.3		WEIGHT		CAGE CODE
2 PLC ± 0.15		CUSTOMER DRAWING		DRAWING NO
3 PLC ± -		SCALE NTS		RESTRICTED TO
4 PLC ± -		SHEET 1 OF 1		REV K
ANGLES ± -		REV		
FINISH		REV		

X-ON Electronics

Largest Supplier of Electrical and Electronic Components

Click to view similar products for [D-Sub Micro-D Connectors](#) category:

Click to view products by [TE Connectivity](#) manufacturer:

Other Similar products are found below :

[89076GBEPR](#) [M2430815F](#) [M243082311F](#) [M2430833F](#) [M2430834F](#) [M24308/4-6F](#) [65-1920-15](#) [M83513/01-HN](#) [M83513/03-A10N](#)
[M83513/03-B14C](#) [M83513/03-D09C](#) [M83513/03-D11N](#) [M83513/03-G02N](#) [M83513/03-G05N](#) [M83513/03-G08C](#) [M83513/03-G09N](#)
[M83513/03-G12N](#) [M83513/03-H13N](#) [M83513/04-E15N](#) [M83513/04-G04C](#) [M83513/10-E01NP](#) [M83513/13-B01NP](#) [M83513/13-C01NN](#)
[M83513/16-A01CP](#) [M83513/22-D01NP](#) [M83513/25-B01NP](#) [6R2004A30F015](#) [6R4006A28A120](#) [703006A13F060](#) [704002A03F200](#)
[705001A13F120](#) [7-1532020-5](#) [748567-1-P](#) [MDM-15PCBRM7T](#) [MDM-15PH003B-A174](#) [MDM-15PH034B](#) [MDM-15SH004B](#) [MDM-](#)
[21PH003K](#) [MDM-21PH003P](#) [MDM-25PH003B-A174](#) [MDM-9PH003M7](#) [MDM-9SH006B](#) [773030D02F030](#) [790-024PA-5MS](#) [790-024PB-](#)
[9ML](#) [790-027SH-10P4MEP](#) [790-041PJ-25P2MPA](#) [791-004SH-66MSA](#) [7R3A00A19A1201](#) [7R3A04A19A120](#)