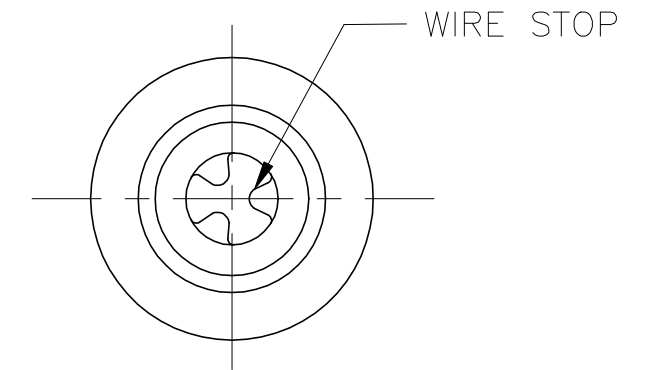
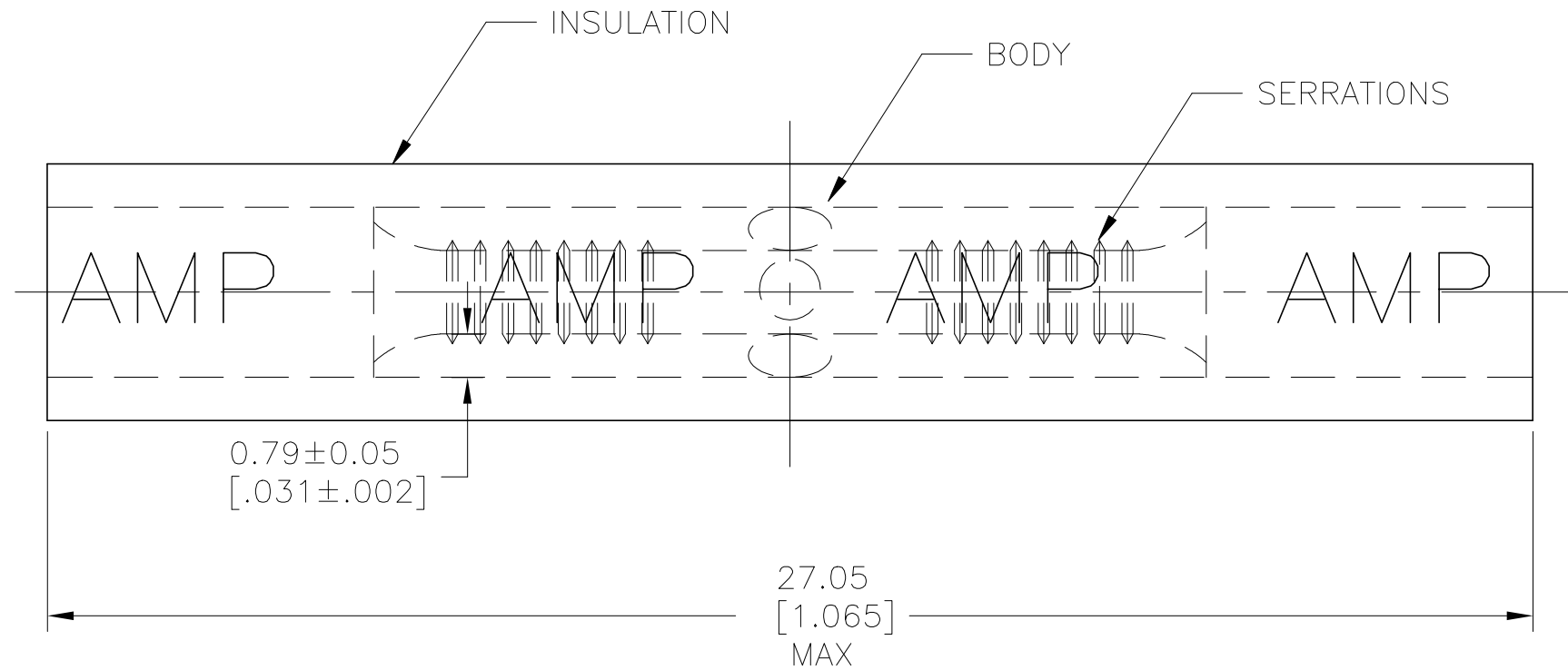


REVISIONS

P	LTR	DESCRIPTION	DATE	DWN	APVD
G2		REDRAW PER ECO-11-020548	02FEB12	KH	DR
G3		REVISED PER ECO-19-004232	19JUN2019	RS	DR

- FOR 2.03[.080] TO 3.05[.120] WIRE INS. DIA
- WIRE SIZE IS 22-16 AWG



QTY	PACKAGE TYPE	MATERIAL & FINISH	PART NO
100	LOOSE PC,BOX	MATERIAL: BODY: COPPER PER ASTM B152 INSULATION: PVC	8-34067-1
2500	34067 ON TAPE	FINISH: BODY: TIN PLATE PER ASTM B545 INSULATION: COLOR-RED	2-34067-1
1000	LOOSE PIECE		34067

THIS DRAWING IS A CONTROLLED DOCUMENT.		DWN KIRAN HOLAL 02FEB12	<b>STE</b> TE Connectivity														
DIMENSIONS: mm [INCHES]		CHK ROHDE DANIEL 02FEB12															
TOLERANCES UNLESS OTHERWISE SPECIFIED:		APVD ROHDE DANIEL 02FEB12	NAME WIRE SPLICE, PLASTI-GRIP, BUTT, WIRE SIZE: 22-16 AWG														
<table border="0"> <tr><td>0 PLC</td><td>± -</td></tr> <tr><td>1 PLC</td><td>± -</td></tr> <tr><td>2 PLC</td><td>± -</td></tr> <tr><td>3 PLC</td><td>± 0.20[.008]</td></tr> <tr><td>4 PLC</td><td>± -</td></tr> <tr><td>ANGLES</td><td>± 5'</td></tr> </table>		0 PLC	± -	1 PLC	± -	2 PLC	± -	3 PLC	± 0.20[.008]	4 PLC	± -	ANGLES	± 5'	PRODUCT SPEC -	RESTRICTED TO -		
0 PLC	± -																
1 PLC	± -																
2 PLC	± -																
3 PLC	± 0.20[.008]																
4 PLC	± -																
ANGLES	± 5'																
MATERIAL SEE TABLE		APPLICATION SPEC -	SIZE A3	CAGE CODE 00779	DRAWING NO C-34067												
FINISH SEE TABLE		WEIGHT -	CUSTOMER DRAWING														
			SCALE 8:1	SHEET 1 OF 1	REV G3												

## X-ON Electronics

Largest Supplier of Electrical and Electronic Components

*Click to view similar products for [Terminals](#) category:*

*Click to view products by [TE Connectivity](#) manufacturer:*

Other Similar products are found below :

[00-054007-01074-6](#) [00-054007-70206-1](#) [00-054007-70210-8](#) [00-054007-70217-7](#) [00-054007-70226-9](#) [00-054007-70228-3](#) [00-054007-70248-1](#) [00-054007-70256-6](#) [00-054007-70301-3](#) [00-054007-70316-7](#) [00-054007-49560-4](#) [00-054007-70209-2](#) [00-054007-70225-2](#) [00-054007-70227-6](#) [00-054007-70231-3](#) [00-054007-70241-2](#) [00-054007-70242-9](#) [00-054007-70244-3](#) [00-054007-70246-7](#) [00-054007-70263-4](#) [00-054007-70288-7](#) [00-054007-70290-0](#) [00-054007-70300-6](#) [00-054007-70304-4](#) [01-2065-1-0216](#) [01-2900-1-04412](#) [00581P0075](#) [600TS-10](#) [60205-1](#) [604200-1](#) [605601-1](#) [60598-1-CUT-TAPE](#) [61314-6-C](#) [61810-3](#) [61-S](#) [61-SN](#) [626-0194](#) [62-NBM-A](#) [62-SN](#) [62-SP](#) [63-S](#) [640179-1](#) [M55155/059I03](#) [M55155/079C01](#) [M55155/099H02](#) [M55155/109H01](#) [M55155/109H02](#) [M55155/12XH05](#) [M55155/16XH02](#) [M55155/29-5S](#)