

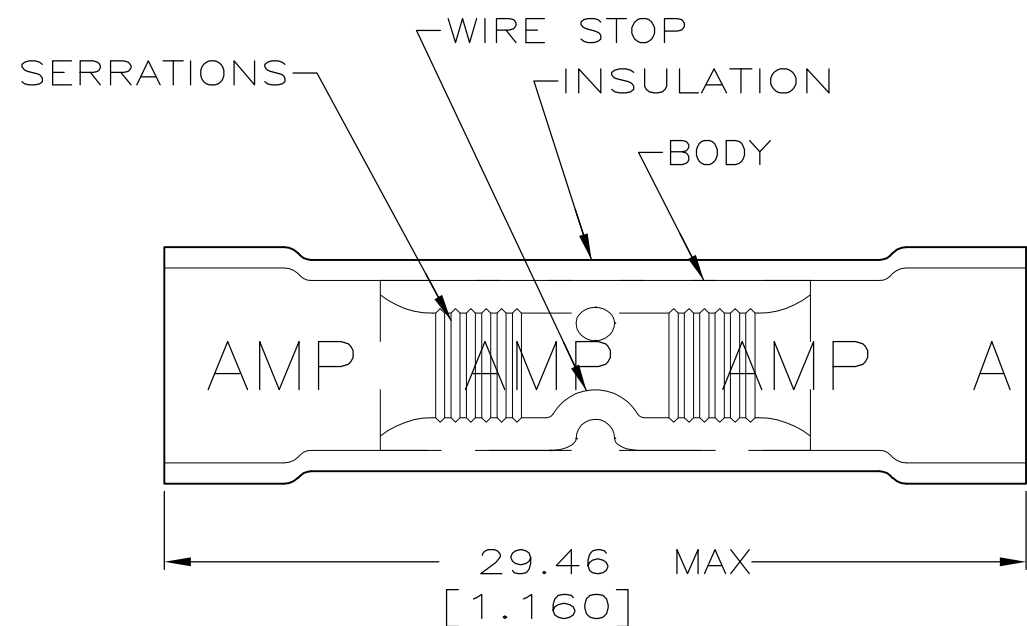


THIS DRAWING IS UNPUBLISHED. RELEASED FOR PUBLICATION
 © COPYRIGHT - By - ALL RIGHTS RESERVED.


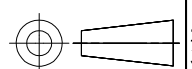
LOC	DIST	REVISIONS					
		P	LTR	DESCRIPTION	DATE	DWN	APVD
G	14		L2	REVISED PER ECO-11-004820	11MAR11	RK	HMR

AMP WIRE RANGE	 E13288	 LR7189 Certified
12-10 SOLID OR STRANDED	12-10 SOLID OR STRANDED	12-10 SOLID OR STRANDED



1. WIRE INSUL DIA,
3.81-5.84 [.150-.230]

QTY	PACKAGE TYPE	PART NO
-	-	-
25	LOOSE PIECE, BAG	8-34072-5
5	LOOSE PIECE, BLS	8-34072-4
100	LOOSE PIECE, BOX	8-34072-1
1500	ON TAPE, REEL	2-34072-2
500	LOOSE PIECE	34072

AMP INCORPORATED CUSTOMER SERVICE SYSTEM		MAX RECOMMENDED OPERATING TEMPERATURE: 90° C [194° F]	THIS DRAWING IS A CONTROLLED DOCUMENT.		DWN M ELLIS 19JUL95	 TE Connectivity				
FOR ADDITIONAL PRODUCT INFORMATION OR COPIES OF DRAWINGS AND TECHNICAL DOCUMENTS	PRODUCT INFORMATION CENTER 1-800-522-6752		VOLTAGE RATING: 600V MAX 1000V (FIXTURES OR SIGNS)	DIMENSIONS: mm [INCHES]	TOLERANCES UNLESS OTHERWISE SPECIFIED:					CHK C PRESNELL 19JUL95
FOR APPLICATION TOOLING INFORMATION	TOOLING ASSISTANCE CENTER 1-800-722-1111	CIRCULAR MIL AREA: 2.62mm² - 6.64mm² [5180-13100]		0 PLC ± -	APVD S BORTNER 19JUL95	PRODUCT SPEC				
FOR ORDER ENTRY	1-800-526-5142			1 PLC ± -	2 PLC ± -	3 PLC ± -	4 PLC ± -	FINISH	SIZE	CAGE CODE
			MATERIAL	TIN PLATE PER MIL-T-10727	UL486A	APPLICATION SPEC				
			BODY, CU ASTM B 152 SLV, PVC, COLOR, YELLO		—	WEIGHT				
			CUSTOMER DRAWING		—	A3 00779 C-34072				
					SCALE 4:1		SHEET 1 OF 1		REV L2	

X-ON Electronics

Largest Supplier of Electrical and Electronic Components

Click to view similar products for [Terminals](#) category:

Click to view products by [TE Connectivity](#) manufacturer:

Other Similar products are found below :

[00-054007-01074-6](#) [00-054007-70206-1](#) [00-054007-70210-8](#) [00-054007-70217-7](#) [00-054007-70226-9](#) [00-054007-70228-3](#) [00-054007-70248-1](#) [00-054007-70256-6](#) [00-054007-70301-3](#) [00-054007-70316-7](#) [0-0320562-0](#) [00-054007-49560-4](#) [00-054007-70209-2](#) [00-054007-70225-2](#) [00-054007-70227-6](#) [00-054007-70231-3](#) [00-054007-70241-2](#) [00-054007-70242-9](#) [00-054007-70244-3](#) [00-054007-70246-7](#) [00-054007-70263-4](#) [00-054007-70288-7](#) [00-054007-70290-0](#) [00-054007-70300-6](#) [00-054007-70304-4](#) [01-2065-1-0216](#) [01-2900-1-04412](#) [00581P0075](#) [600TS-10](#) [60205-1](#) [604200-1](#) [605601-1](#) [60598-1-CUT-TAPE](#) [61314-6-C](#) [61810-3](#) [61-S](#) [61-SN](#) [626-0194](#) [62-NBM-A](#) [62-SN](#) [62-SP](#) [63-S](#) [640179-1](#) [M55155/059I03](#) [M55155/079C01](#) [M55155/099H02](#) [M55155/109H01](#) [M55155/109H02](#) [M55155/12XH05](#) [M55155/16XH02](#)