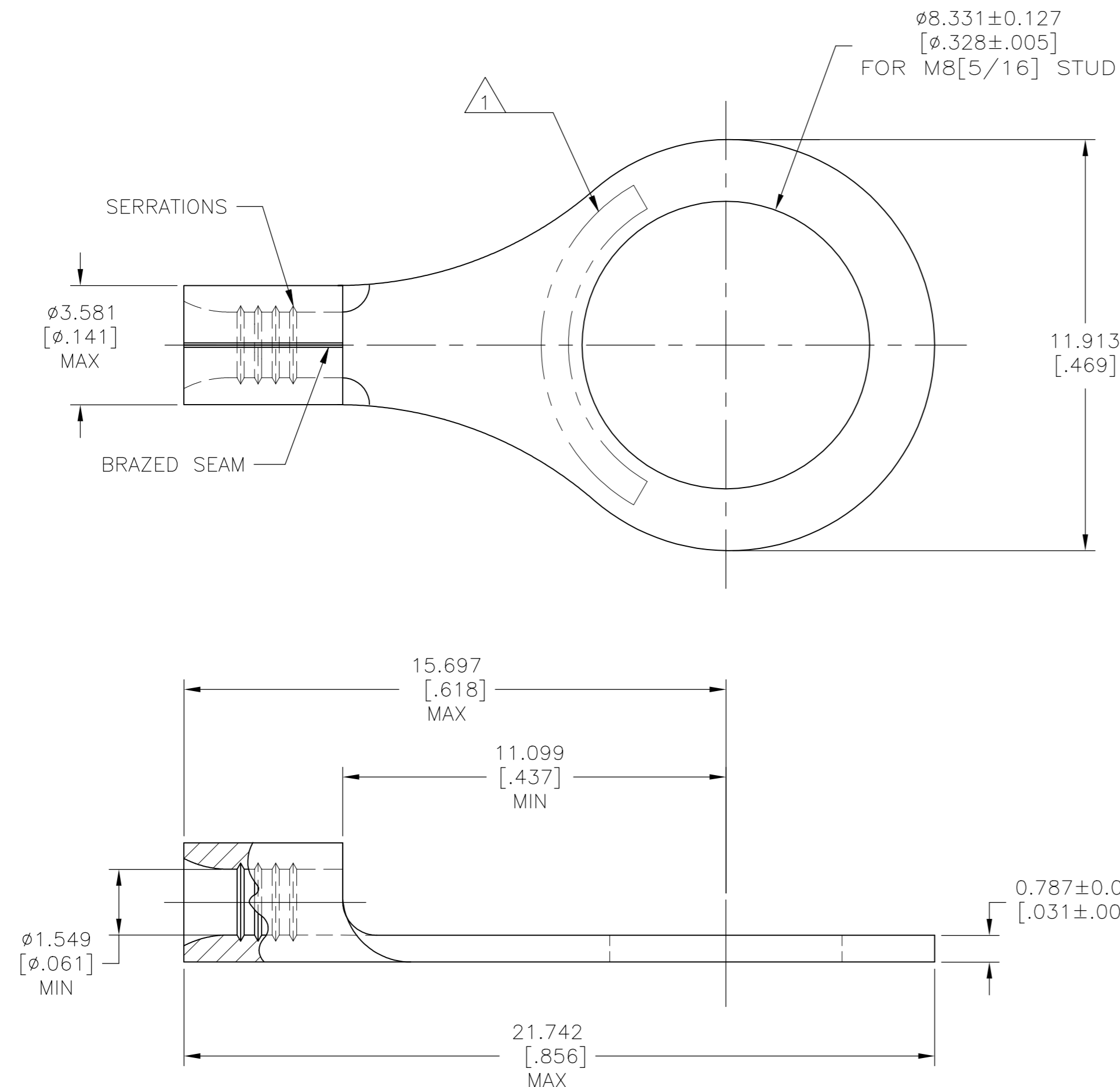


THIS DRAWING IS UNPUBLISHED.  
 RELEASED FOR PUBLICATION  
 ALL RIGHTS RESERVED.

REVISIONS					
P	LTR	DESCRIPTION	DATE	DWN	APVD
D1		REVISED PER ECO-15-013426	18SEP2015	NK	DR
D2		REVISED PER ECO-17-008806	15FEB2018	RS	DR



**AMP**  
 WIRE RANGE

---

22-16 AWG  
 SOLID OR STRANDED

- 1 STAMP AMP 22-18\* APPROX AS SHOWN  
22-16 TERMINALS ARE STAMPED 22-18 IN  
ACCORDANCE WITH MILITARY SPEC SAE AS7928  
COMMERCIAL WIRE RANGE IS 22-16
- 2 TIN PLATE 0.00254[.000100] MIN EXT THK  
PER ASTM-B545
- 3 NOTE DELETED
- 4 NOTE DELETED
- 5 NICKEL PLATED 0.00762 [.000300] MIN EXT THK  
PER SAE AMS QQ-N-290.
- 6 UL LISTED E13288, 22-16 AWG SOLID OR STRANDED.
- 7 CSA CERTIFIED LR7189, 22-16 AWG SOLID OR STRANDED
- 8 MILITARY P/N AND CLASS: M7928/7-5 CLASS 2
- 9 COPPER PER ASTM B152 ANNEALED
- 10 NOTE DELETED
- 11 UL 486 A-B OR SAE AS7928

7 6	100	170°C[338°F] MAX	LOOSE PIECE, BOX	2	8-34114-1
8 7 6	5000	170°C[338°F] MAX	34114 ON TAPE	2	2-34114-2
	1000	343°C[649°F] MAX	LOOSE PIECE	5	34114-4
8 7 6	1000	170°C[338°F] MAX	LOOSE PIECE	2	34114
	QTY	MAX TEMP.	PACKAGE TYPE	FINISH	PART NUMBER

<b>AMP INCORPORATED CUSTOMER SERVICE SYSTEMS</b>		MAX RECOMMENDED OPERATING TEMPERATURE: SEE TABLE	THIS DRAWING IS A CONTROLLED DOCUMENT.		DWN TA BRINKMAN 3-10-93	<b>STE</b> TE Connectivity Ltd.
FOR ADDITIONAL PRODUCT INFORMATION OR COPIES OF DRAWINGS AND TECHNICAL DOCUMENTS	PRODUCT INFORMATION CENTER 1-800-522-6752	VOLTAGE RATING: N/A	DIMENSIONS: mm [INCHES]	TOLERANCES UNLESS OTHERWISE SPECIFIED: 0 PLC ± - 1 PLC ± - 2 PLC ± - 3 PLC ± 0.127[.005] 4 PLC ± - ANGLES ± -	CHK DA PATTERSON 3-10-93	
FOR APPLICATION	TOOLING ASSISTANCE CENTER 1-800-722-1111	CIRCULAR MIL AREA: 0.26-1.65mm²[509-3260] CIR MILS SOLID OR STRANDED	MATERIAL 9		APVD DE MILLER 3-10-93	NAME TERMINAL, RING TONGUE, SOLISTRAND 22-16 AWG
TOOLING INFORMATION	1-800-526-5142	THIS DRAWING IS A CONTROLLED DOCUMENT FOR AMP INCORPORATED. IT IS SUBJECT TO CHANGE AND THE CONTROLLING ENGINEERING ORGANIZATION SHOULD BE CONTACTED FOR THE LATEST REVISION.		FINISH SEE TABLE	APPLICATION SPEC 11	SIZE A2
FOR ORDER ENTRY	1-800-526-5142			CUSTOMER DRAWING	WEIGHT	CAGE CODE 00779
						DRAWING NO. 34114
						RESTRICTED TO -
						SCALE 8:1
						SHEET 1 of 1
						REV D2

## X-ON Electronics

Largest Supplier of Electrical and Electronic Components

*Click to view similar products for [Terminals](#) category:*

*Click to view products by [TE Connectivity](#) manufacturer:*

Other Similar products are found below :

[00-054007-01074-6](#) [00-054007-70206-1](#) [00-054007-70210-8](#) [00-054007-70217-7](#) [00-054007-70226-9](#) [00-054007-70228-3](#) [00-054007-70248-1](#) [00-054007-70256-6](#) [00-054007-70301-3](#) [00-054007-70316-7](#) [0-0320562-0](#) [00-054007-49560-4](#) [00-054007-70209-2](#) [00-054007-70225-2](#) [00-054007-70227-6](#) [00-054007-70231-3](#) [00-054007-70241-2](#) [00-054007-70242-9](#) [00-054007-70244-3](#) [00-054007-70246-7](#) [00-054007-70263-4](#) [00-054007-70288-7](#) [00-054007-70290-0](#) [00-054007-70300-6](#) [00-054007-70304-4](#) [01-2065-1-0216](#) [01-2900-1-04412](#) [00581P0075](#) [600TS-10](#) [60205-1](#) [604200-1](#) [605601-1](#) [60598-1-CUT-TAPE](#) [61314-6-C](#) [61810-3](#) [61-S](#) [61-SN](#) [626-0194](#) [62-NBM-A](#) [62-SN](#) [62-SP](#) [63-S](#) [640179-1](#) [M55155/059I03](#) [M55155/079C01](#) [M55155/099H02](#) [M55155/109H01](#) [M55155/109H02](#) [M55155/12XH05](#) [M55155/16XH02](#)