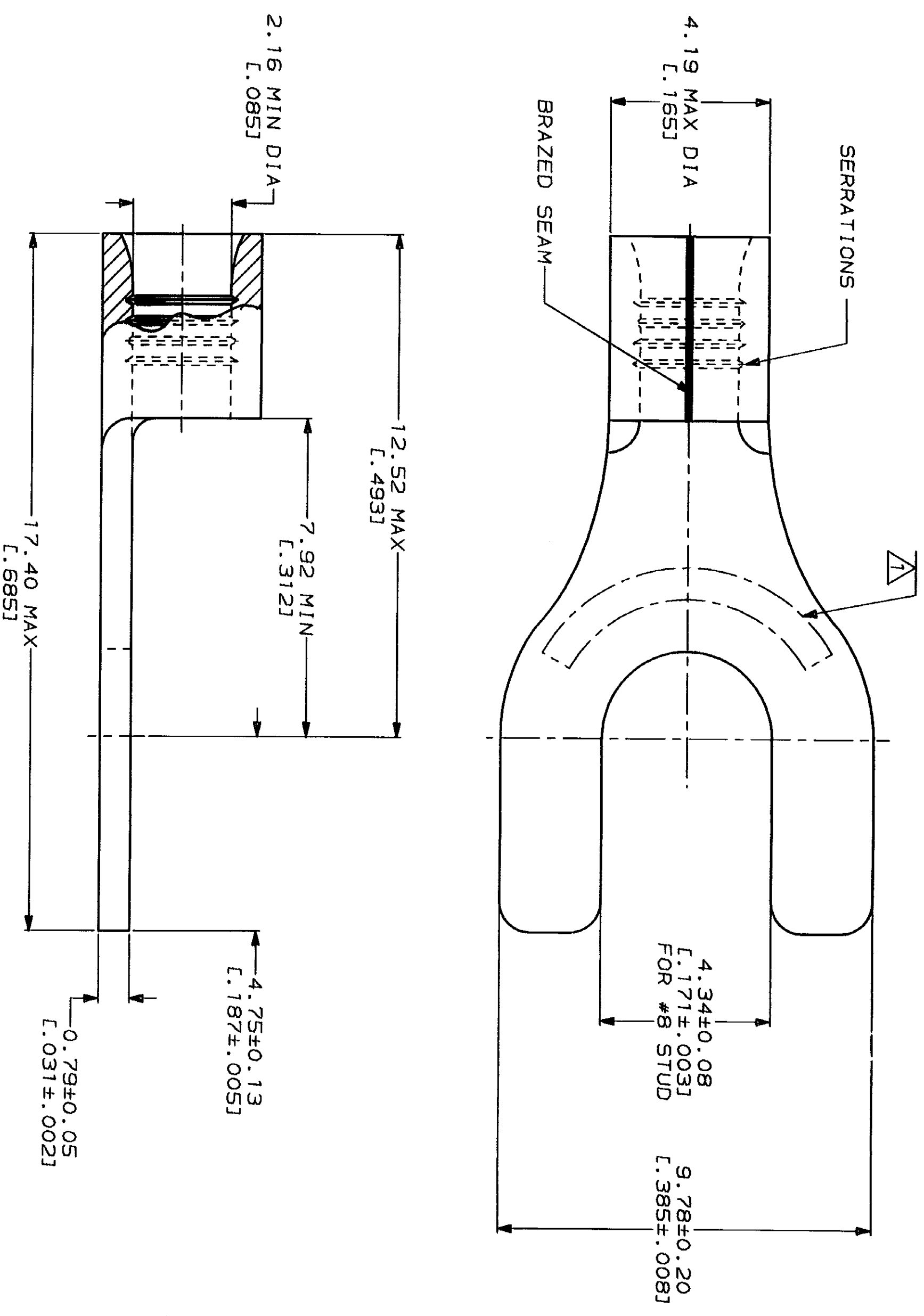


LOC	DIST	P	ZONE	LTR	DESCRIPTION	DATE	APPD
G	14			F	REV, RDRW, & SM PKG PER 0720-0040-93	3-26-93	18 DAP

METRIC
 DIMENSIONS LISTED IN mm [INCHES]

AMP WIRE RANGE	UL E13288 Listed
16-14 AWG SOLID OR STRANDED	16-14 AWG SOLID OR STRANDED P/N 34128 & 8-34128-1 & 8-34128-5 ONLY
LR7189 Certified	MILITARY P/N AND CLASS
16-14 AWG SOLID OR STRANDED P/N 34128 & 8-34128-1 & 8-34128-5 ONLY	NOT APPLICABLE

△ STAMP AMP 16-14* APPROX AS SHOWN



QUANTITY	PACKAGE TYPE	MAX OPERATING TEMPERATURE	FINISH	PART NO
50	LOOSE PIECE BAG 34128	170°C	TIN PLATE 0.00254L.000100] MIN THK PER MIL-T-10727	8-34128-5
100	LOOSE PIECE BOX 34128	170°C	TIN PLATE 0.00254L.000100] MIN THK PER MIL-T-10727	8-34128-1
---	LOOSE PIECE	343°C	NICKEL PLATE 0.000762L.000030] MIN THK PER QQ-N-290	34128-1
---	LOOSE PIECE	170°C	TIN PLATE 0.00254L.000100] MIN THK PER MIL-T-10727	34128

AMP INCORPORATED
 CUSTOMER SERVICE SYSTEMS

FOR ADDITIONAL PRODUCT INFORMATION OR COPIES OF DRAWINGS AND TECHNICAL DOCUMENTS
 PRODUCT INFORMATION CENTER
 1-800-522-6752

FOR APPLICATION TOOLING INFORMATION
 TOOLING ASSISTANCE CENTER
 1-800-722-1111

FOR ORDER ENTRY
 1-800-526-5142

MAX RECOMMENDED OPERATING TEMPERATURE: SEE TABLE
 VOLTAGE RATING: NOT APPLICABLE
 WIRE CROSS SECTIONAL AREA RANGE: 1.04-2.62mm² [2.050-5.180] CIR MILS SOLID OR STRANDED

DO NOT SCALE PRINT. UNLESS SPECIFIED DIMENSIONS IN mm [INCHES] TOLERANCES ON: 1 PLG DEC ± .1 2 PLG DEC ± .1 3 PLG DEC ± .1 ANGLES MATERIAL COPPER PER ASTM B-152 ANNEALED

DR TA BRINKMAN 3-26-93
 CHK DA PATERSON 3-26-93
 APPD DE MILLER 3-26-93
 APPD JL MECKLEY 3-26-93
 PRODUCT SPEC
 APPLICATION SPEC
 WEIGHT
 SCALE 10:1

X-ON Electronics

Largest Supplier of Electrical and Electronic Components

Click to view similar products for [Terminals](#) category:

Click to view products by [TE Connectivity](#) manufacturer:

Other Similar products are found below :

[00-054007-01074-6](#) [00-054007-70206-1](#) [00-054007-70210-8](#) [00-054007-70217-7](#) [00-054007-70226-9](#) [00-054007-70228-3](#) [00-054007-70248-1](#) [00-054007-70256-6](#) [00-054007-70301-3](#) [00-054007-70316-7](#) [0-0320562-0](#) [00-054007-49560-4](#) [00-054007-70209-2](#) [00-054007-70225-2](#) [00-054007-70227-6](#) [00-054007-70231-3](#) [00-054007-70241-2](#) [00-054007-70242-9](#) [00-054007-70244-3](#) [00-054007-70246-7](#) [00-054007-70263-4](#) [00-054007-70288-7](#) [00-054007-70290-0](#) [00-054007-70300-6](#) [00-054007-70304-4](#) [01-2065-1-0216](#) [01-2900-1-04412](#) [00581P0075](#) [600TS-10](#) [60205-1](#) [604200-1](#) [605601-1](#) [60598-1-CUT-TAPE](#) [61314-6-C](#) [61810-3](#) [61-S](#) [61-SN](#) [626-0194](#) [62-NBM-A](#) [62-SN](#) [62-SP](#) [63-S](#) [640179-1](#) [M55155/059I03](#) [M55155/079C01](#) [M55155/099H02](#) [M55155/109H01](#) [M55155/109H02](#) [M55155/12XH05](#) [M55155/16XH02](#)