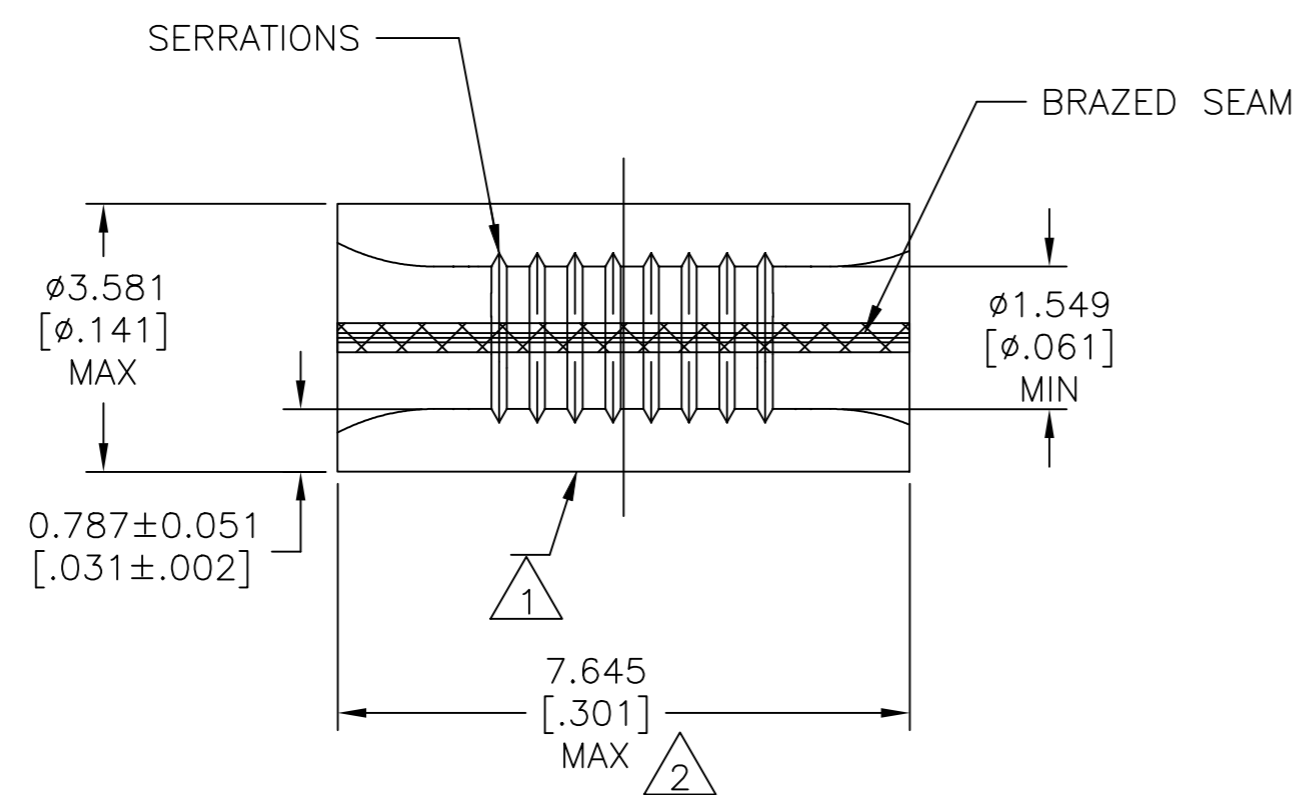


THIS DRAWING IS UNPUBLISHED. RELEASED FOR PUBLICATION
 © COPYRIGHT - By - ALL RIGHTS RESERVED.

REVISIONS					
P	LTR	DESCRIPTION	DATE	DWN	APVD
T		REVISED PER ECO-110-012870	28APR11	HMR	DR
T1		REVISED PER ECO-17-008808	28FEB2018	RS	DR

AMP
WIRE RANGE

22-16 AWG
SOLID OR STRANDED



- 1 STAMP AMP 22-18* APPROX AS SHOWN 22-16 SPLICES ARE STAMPED 22-18 IN ACCORDANCE WITH MILITARY SPEC SAE AS7928 COMMERCIAL WIRE RANGE IS 22-16
- 2 MAXIMUM LENGTH DOES NOT INCLUDE MANUFACTURING TABS.
- 3 GOLD PLATE 0.00127 [.000050] MIN EXT THK PER ASTM B 488 TYPE 1, CODE C OVER NICKEL PLATE 0.00127 [.000050] MIN EXT THK PER SAE AMS QQ-N-290. OVER Cu FLASH PER SAE AMS 2418.
- 4 CSA CERTIFIED LR7189, 22-16 AWG SOLID OR STRANDED
- 5 UL LISTED E13288, 22-16 AWG SOLID OR STRANDED.
- 6 MATERIAL: COPPER PER ASTM B-152 ANNEALED
- 7 0.00254 [.000100] MIN EXT THK TIN PLATE PER ASTM B-545
- 8 0.00254 [.000100] MIN EXT THK TIN-LEAD (60/40) PLATE PER SAE-AMS-P-81728

170°C [338°F]	4 5	100	LOOSE PIECE, BOX	7 8-34130-1
170°C [338°F]	--	1000	LOOSE PIECE	8 34130-4
260°C [500°F]	--	1000	LOOSE PIECE	3 34130-3
170°C [338°F]	4 5	1000	LOOSE PIECE	7 34130
MAX TEMP	APPROVALS	QTY	PACKAGE TYPE	PART NO

AMP INCORPORATED
CUSTOMER SERVICE SYSTEMS

MAX RECOMMENDED OPERATING TEMPERATURE:
SEE TABLE

VOLTAGE RATING:
N/A

CIRCULAR MIL AREA:
0.26-1.65mm² [509-3,260]
SOLID OR STRANDED

FOR ADDITIONAL PRODUCT INFORMATION OR COPIES OF DRAWINGS AND TECHNICAL DOCUMENTS
PRODUCT INFORMATION CENTER
1-800-522-6752

FOR APPLICATION TOOLING INFORMATION
TOOLING ASSISTANCE CENTER
1-800-722-1111

FOR ORDER ENTRY
1-800-526-5142

THIS DRAWING IS A CONTROLLED DOCUMENT FOR AMP INCORPORATED. IT IS SUBJECT TO CHANGE AND THE CONTROLLING ENGINEERING ORGANIZATION SHOULD BE CONTACTED FOR THE LATEST REVISION.

THIS DRAWING IS A CONTROLLED DOCUMENT.

DIMENSIONS: mm [INCHES]

TOLERANCES UNLESS OTHERWISE SPECIFIED:

0 PLC ± -
1 PLC ± -
2 PLC ± -
3 PLC ± 0.127 [.005]
4 PLC ± -
ANGLES ± -
FINISH SEE TABLE

DWN TA BRINKMAN 4-14-93
CHK DA PATTERSON 4-14-93
APVD J MECKLEY 4-14-93

NAME
PRODUCT SPEC UL 486 C
APPLICATION SPEC

SCALE 10:1 SHEET 1 of 1 REV T1

CUSTOMER DRAWING

WEIGHT A2 00779 C=34130

RESTRICTED TO

34130

X-ON Electronics

Largest Supplier of Electrical and Electronic Components

Click to view similar products for [Terminals](#) category:

Click to view products by [TE Connectivity](#) manufacturer:

Other Similar products are found below :

[00-054007-01074-6](#) [00-054007-70206-1](#) [00-054007-70210-8](#) [00-054007-70217-7](#) [00-054007-70226-9](#) [00-054007-70228-3](#) [00-054007-70248-1](#) [00-054007-70256-6](#) [00-054007-70301-3](#) [00-054007-70316-7](#) [00-054007-49560-4](#) [00-054007-70209-2](#) [00-054007-70225-2](#) [00-054007-70227-6](#) [00-054007-70231-3](#) [00-054007-70241-2](#) [00-054007-70242-9](#) [00-054007-70244-3](#) [00-054007-70246-7](#) [00-054007-70263-4](#) [00-054007-70288-7](#) [00-054007-70290-0](#) [00-054007-70300-6](#) [00-054007-70304-4](#) [01-2065-1-0216](#) [01-2900-1-04412](#) [00581P0075](#) [600TS-10](#) [60205-1](#) [604200-1](#) [605601-1](#) [60598-1-CUT-TAPE](#) [61314-6-C](#) [61810-3](#) [61-S](#) [61-SN](#) [626-0194](#) [62-NBM-A](#) [62-SN](#) [62-SP](#) [63-S](#) [640179-1](#) [M55155/059I03](#) [M55155/079C01](#) [M55155/099H02](#) [M55155/109H01](#) [M55155/109H02](#) [M55155/12XH05](#) [M55155/16XH02](#) [M55155/29-5S](#)