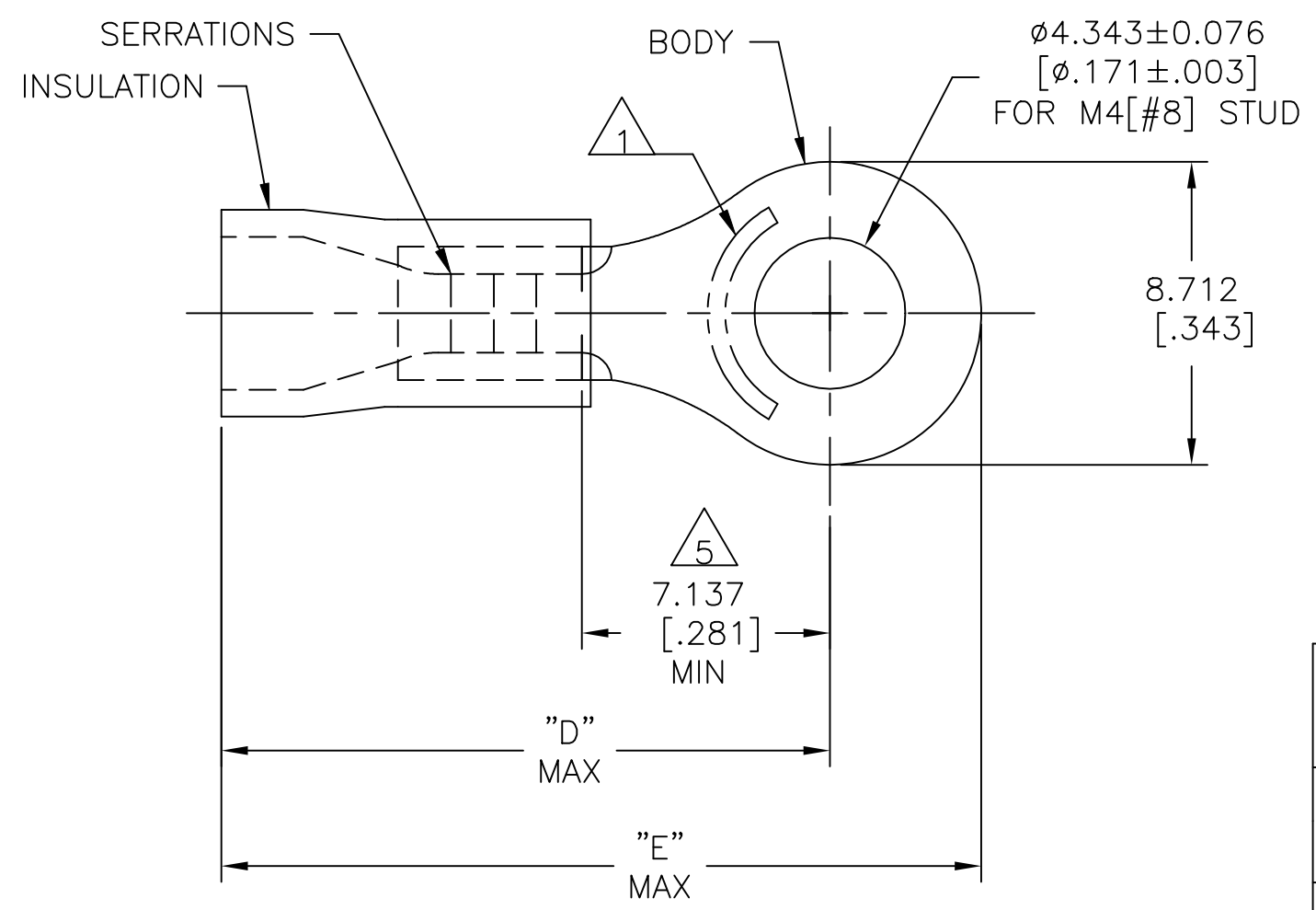


REVISIONS					
P	LTR	DESCRIPTION	DATE	DWN	APVD
	R1	REVISED PER ECO-11-004587	11MAR11	RK	HMR
	R2	REVISED PER ECO-17-014338	14MAY2018	RS	DR

AMP WIRE RANGE	Listed	LR7189 Certified
16-14 AWG SOLID OR STRANDED	16-14 AWG SOLID OR STRANDED	16-14 AWG SOLID OR STRANDED



- 1 STAMP AMP 16-14* APPROX AS SHOWN
- 2 BODY MATERIAL THK: 0.787 ± 0.051 [.031 ± .002] INCHES
- 3 NOTE DELETED
- 4 MATERIAL: BODY - CU PER ASTM B152
SLEEVE - PVC
- 5 APPLIES FROM CENTER OF STUD HOLE TO EDGE OF METAL WIRE BARREL

22.123 [.871]	17.704 [.697]	2.997-4.902 [.118-.193]	100	LOOSE PIECE, BOX	8-34160-1
23.368 [.920]	18.948 [.746]	3.810-.635 [.150-.250]	1000	LOOSE PIECE	2-34160-2
22.123 [.871]	17.704 [.697]	2.997-4.902 [.118-.193]	5000	ON TAPE, REEL	2-34160-1
			1000	LOOSE PIECE	34160
"E"	"D"	WIRE INSULATION DIA	QTY	PACKAGE TYPE	PART NUMBER

AMP INCORPORATED CUSTOMER SERVICE SYSTEMS		MAX RECOMMENDED OPERATING TEMPERATURE: 105°C [221°F]	THIS DRAWING IS A CONTROLLED DOCUMENT.		DWN DK SCHRUM 02/08/93	TE Connectivity Ltd.			
FOR ADDITIONAL PRODUCT INFORMATION OR COPIES OF DRAWINGS AND TECHNICAL DOCUMENTS	PRODUCT INFORMATION CENTER 1-800-522-6752	VOLTAGE RATING: 600 V (1000 V FIXTURE OR SIGN)	DIMENSIONS: mm [INCHES]	TOLERANCES UNLESS OTHERWISE SPECIFIED:	CHK RE HERSEY 8/15/93				
FOR APPLICATION TOOLING INFORMATION	TOOLING ASSISTANCE CENTER 1-800-722-1111	CIRCULAR MIL AREA: 1.04-2.62mm² [2,050-5,180] SOLID OR STRANDED		0 PLC ± - 1 PLC ± - 2 PLC ± - 3 PLC ± 0.127[.005] 4 PLC ± - ANGLES ± -	APVD M BARNABA 8/15/93	NAME TERMINAL, RING TONGUE, PLASTI-GRIP, WIRE SIZE, 16-14 AWG			
FOR ORDER ENTRY	1-800-526-5142	THIS DRAWING IS A CONTROLLED DOCUMENT FOR AMP INCORPORATED. IT IS SUBJECT TO CHANGE AND THE CONTROLLING ENGINEERING ORGANIZATION SHOULD BE CONTACTED FOR THE LATEST REVISION.	MATERIAL 	FINISH BODY: TIN PER ASTM B545 INSULATION: COLOR - BLUE	PRODUCT SPEC UL 486A-B	SIZE A3	CAGE CODE 00779	DRAWING NO C-34160	RESTRICTED TO -
					APPLICATION SPEC 114-2161	WEIGHT A3	SCALE 4:1	SHEET 1 OF 1	REV R2

X-ON Electronics

Largest Supplier of Electrical and Electronic Components

Click to view similar products for [Terminals](#) category:

Click to view products by [TE Connectivity](#) manufacturer:

Other Similar products are found below :

[00-054007-01074-6](#) [00-054007-70206-1](#) [00-054007-70210-8](#) [00-054007-70217-7](#) [00-054007-70226-9](#) [00-054007-70228-3](#) [00-054007-70248-1](#) [00-054007-70256-6](#) [00-054007-70301-3](#) [00-054007-70316-7](#) [00-054007-49560-4](#) [00-054007-70209-2](#) [00-054007-70225-2](#) [00-054007-70227-6](#) [00-054007-70231-3](#) [00-054007-70241-2](#) [00-054007-70242-9](#) [00-054007-70244-3](#) [00-054007-70246-7](#) [00-054007-70263-4](#) [00-054007-70288-7](#) [00-054007-70290-0](#) [00-054007-70300-6](#) [00-054007-70304-4](#) [01-2065-1-0216](#) [01-2900-1-04412](#) [00581P0075](#) [600TS-10](#) [60205-1](#) [604200-1](#) [605601-1](#) [60598-1-CUT-TAPE](#) [61314-6-C](#) [61810-3](#) [61-S](#) [61-SN](#) [626-0194](#) [62-NBM-A](#) [62-SN](#) [62-SP](#) [63-S](#) [640179-1](#) [M55155/059I03](#) [M55155/079C01](#) [M55155/099H02](#) [M55155/109H01](#) [M55155/109H02](#) [M55155/12XH05](#) [M55155/16XH02](#) [M55155/29-5S](#)