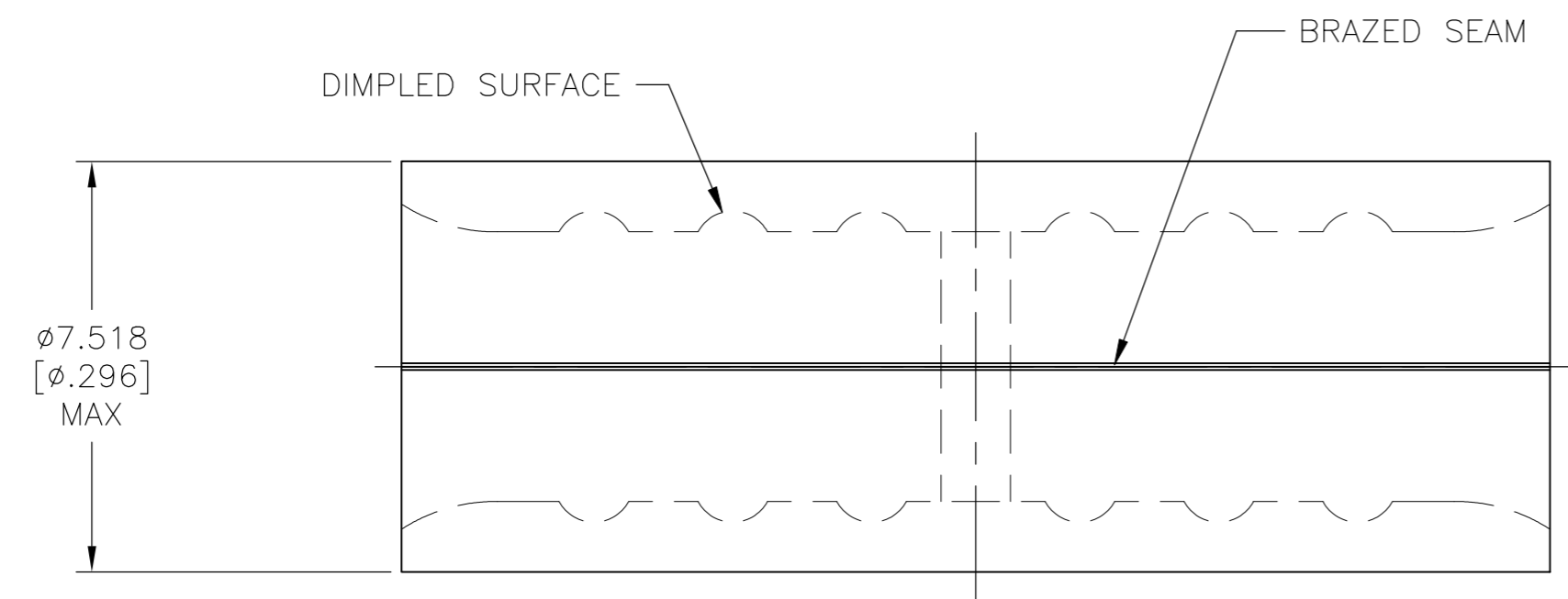


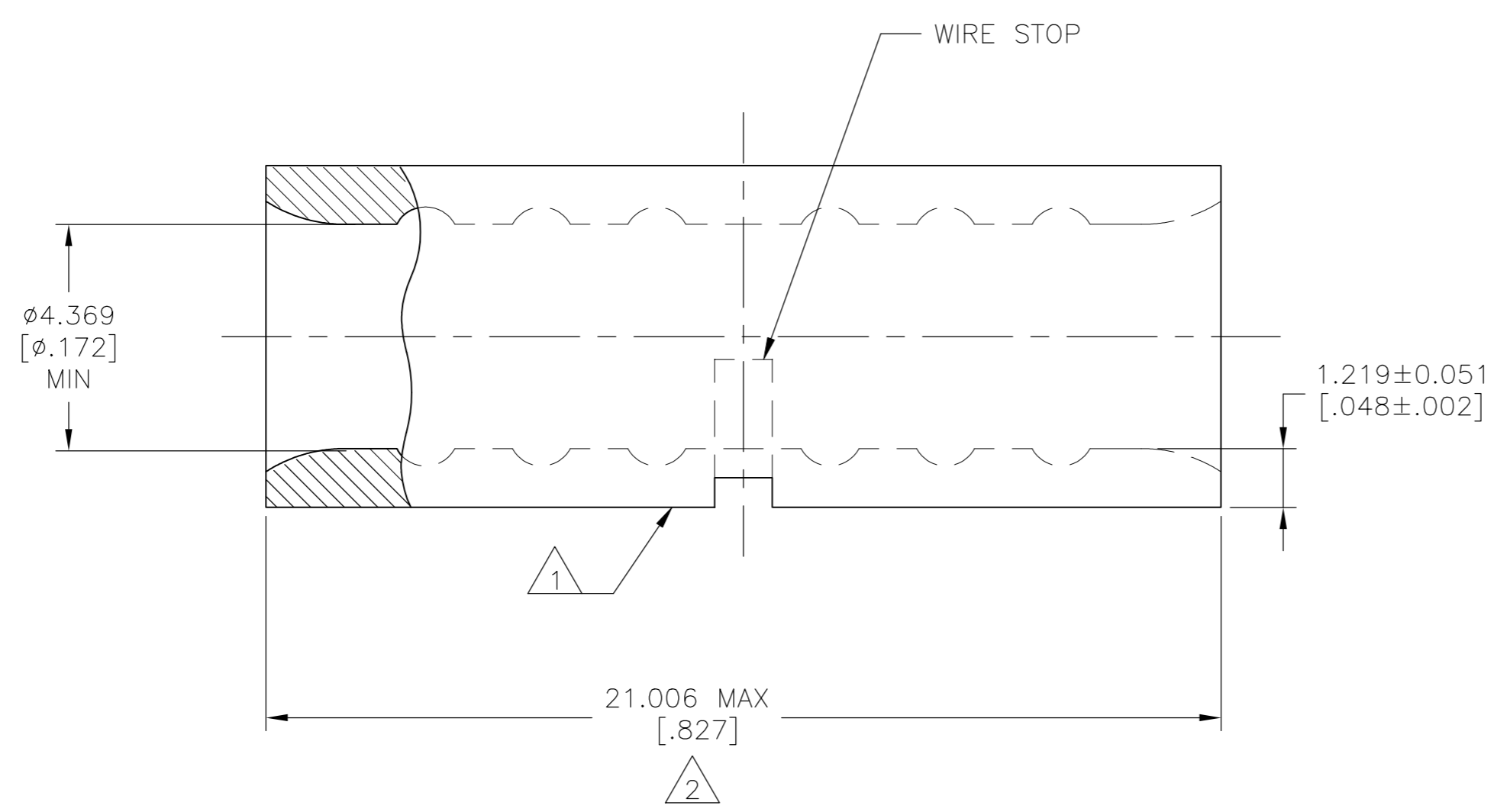
THIS DRAWING IS UNPUBLISHED.
 RELEASED FOR PUBLICATION
 ALL RIGHTS RESERVED.

| REVISIONS | | | | | |
|-----------|-----|---------------------------|-----------|-----|------|
| P | LTR | DESCRIPTION | DATE | DWN | APVD |
| | C3 | REVISED PER ECO-11-004917 | 11MAR11 | RK | HMR |
| | C4 | REVISED PER ECO-17-008806 | 19FEB2018 | RS | DR |



| | | |
|----------------------------|-----------------------|----------------------------|
| AMP WIRE RANGE | Listed FILE E13288 | LR7189 Certified |
| 8 AWG SOLID OR STRANDED | 8 AWG STRANDED | 8 AWG SOLID OR STRANDED |

- 1 STAMP AMP 8W* APPROX AS SHOWN
- 2 MAXIMUM LENGTH DOES NOT INCLUDE MANUFACTURING TABS
- 3 COPPER PER ASTM B-152, ANNEALED
- 4 .000100 MIN TIN PLATE PER ASTM B-545
- 5 NOTE DELETED



| | | |
|--|--|---|
| AMP INCORPORATED | | MAX RECOMMENDED OPERATING TEMPERATURE: 170°C [338°F] MAX |
| CUSTOMER SERVICE SYSTEMS | | |
| FOR ADDITIONAL PRODUCT INFORMATION OR COPIES OF DRAWINGS AND TECHNICAL DOCUMENTS | PRODUCT INFORMATION CENTER 1-800-522-6752 | VOLTAGE RATING: N/A |
| FOR APPLICATION TOOLING INFORMATION | TOOLING ASSISTANCE CENTER 1-800-722-1111 | CIRCULAR MIL AREA: 6.64-10.5mm ² [13,100-20,800] SOLID OR STRANDED |
| FOR ORDER ENTRY | 1-800-526-5142 | THIS DRAWING IS A CONTROLLED DOCUMENT FOR AMP INCORPORATED. IT IS SUBJECT TO CHANGE AND THE CONTROLLING ENGINEERING ORGANIZATION SHOULD BE CONTACTED FOR THE LATEST REVISION. |

| | | |
|--|---------------------|-----------------------------|
| THIS DRAWING IS A CONTROLLED DOCUMENT. | | DWN JR RUTH 19JAN07 |
| DIMENSIONS: mm [INCHES] | | CHK M SPICER 19JAN07 |
| TOLERANCES UNLESS OTHERWISE SPECIFIED: | | APVD M SPICER 19JAN07 |
| 0 PLC ± - | 1 PLC ± - | PRODUCT SPEC |
| 2 PLC ± - | 3 PLC ± 0.127[.005] | UL 486 A-B |
| 4 PLC ± - | ANGLES ± - | APPLICATION SPEC |
| MATERIAL | FINISH | WEIGHT |
| | | |

| | | |
|--|------------------|---------------|
| 25 | LOOSE PIECE, BOX | 8-34321-3 |
| 100 | LOOSE PIECE | 34321 |
| QTY | PACKAGING TYPE | PART NO. |
| STE TE Connectivity Ltd. | | |
| NAME SPLICE, BUTT, STANDARD, SOLISTRAND 8 AWG | | |
| SIZE | CAGE CODE | DRAWING NO. |
| A2 | 00779 | C-34321 |
| CUSTOMER DRAWING | | RESTRICTED TO |
| SCALE | SHEET | REV |
| 8:1 | 1 of 1 | C4 |

X-ON Electronics

Largest Supplier of Electrical and Electronic Components

Click to view similar products for [Terminals](#) category:

Click to view products by [TE Connectivity](#) manufacturer:

Other Similar products are found below :

[00-054007-01074-6](#) [00-054007-70206-1](#) [00-054007-70210-8](#) [00-054007-70217-7](#) [00-054007-70226-9](#) [00-054007-70228-3](#) [00-054007-70248-1](#) [00-054007-70256-6](#) [00-054007-70301-3](#) [00-054007-70316-7](#) [00-054007-49560-4](#) [00-054007-70209-2](#) [00-054007-70225-2](#) [00-054007-70227-6](#) [00-054007-70231-3](#) [00-054007-70241-2](#) [00-054007-70242-9](#) [00-054007-70244-3](#) [00-054007-70246-7](#) [00-054007-70263-4](#) [00-054007-70288-7](#) [00-054007-70290-0](#) [00-054007-70300-6](#) [00-054007-70304-4](#) [01-2065-1-0216](#) [01-2900-1-04412](#) [00581P0075](#) [600TS-10](#) [60205-1](#) [604200-1](#) [605601-1](#) [60598-1-CUT-TAPE](#) [61314-6-C](#) [61810-3](#) [61-S](#) [61-SN](#) [626-0194](#) [62-NBM-A](#) [62-SN](#) [62-SP](#) [63-S](#) [640179-1](#) [M55155/059I03](#) [M55155/079C01](#) [M55155/099H02](#) [M55155/109H01](#) [M55155/109H02](#) [M55155/12XH05](#) [M55155/16XH02](#) [M55155/29-5S](#)