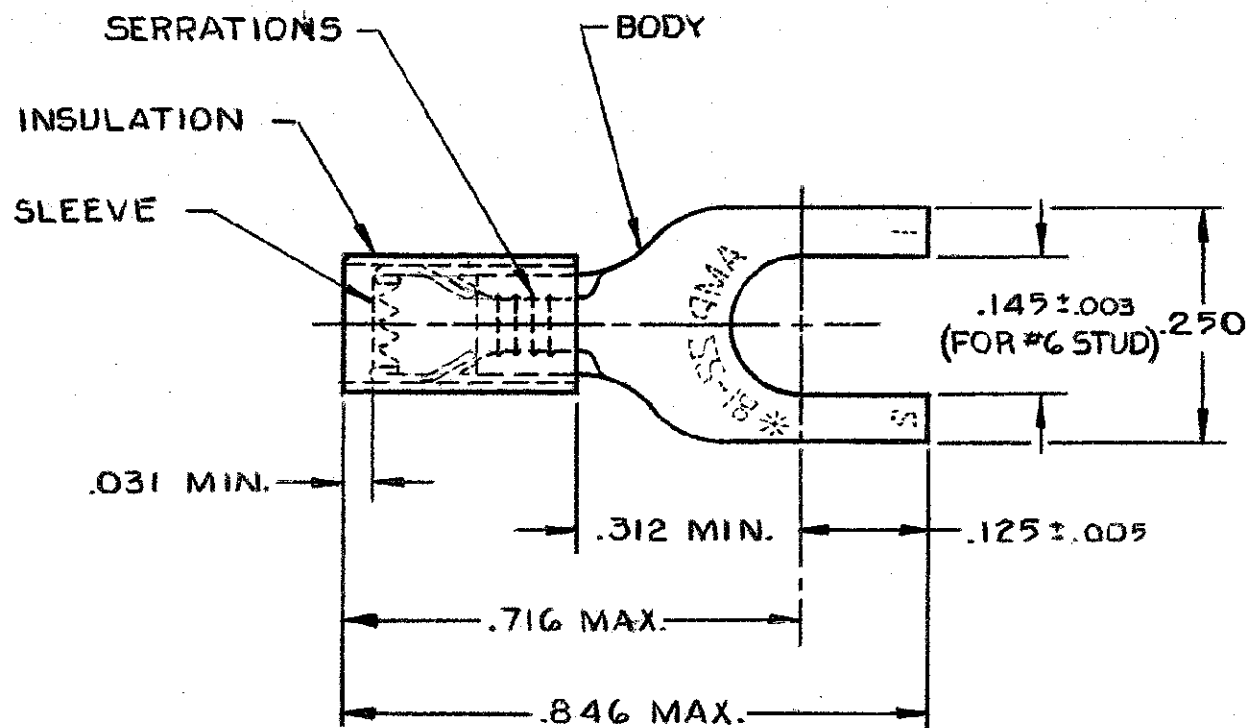


THIS DRAWING IS UNPUBLISHED. RELEASED FOR PUBLICATION

© COPYRIGHT BY

REVISIONS						
P	F	ZONE	LTR	DESCRIPTION	DATE	APPROVED
			M1	REVISED PER ECO-11-005294	19APR11	HMR



- 1 WIRE INSULATION DIA. = .105-.140
- 2 TONGUE MATERIAL THK. = .031±.002
- 3 22-18 MARKING FOR MILITARY, COMMERCIAL RANGE 22-16
- 4 TIN PLATE (ASTM B 545) .000100 MIN THK.
- 5 PRELIMINARY - NOT FOR PRODUCTION
- 6 SUPERSEDED BY 8-34541-1

OBsolete	OBsolete	COLOR	QTY.	DESCRIPTION	PART NO
		RED	50	LOOSE PIECE, BAG	8-34541-5
		RED	100	LOOSE PIECE, BOX	8-34541-1
		BLACK	5,000	34541-1 ON TAPE, REEL	2-34541-4
		RED	100	ON TAPE, SM. BOX	2-34541-3
		RED	1,000	ON TAPE, LG. BOX	2-34541-2
		RED	5,000	34541 ON TAPE, REEL	2-34541-1
		BLACK	#	LOOSE PIECE	34541-1
		RED	#	LOOSE PIECE	34541

UNLESS OTHERWISE SPECIFIED DIMENSIONS ARE IN INCHES. TOLERANCES ON: DECIMALS ±.008 ANGLES ±	CONTRACT NO	TE Connectivity		
	DR UTA/RFB 9-24-85			
MATERIAL INSULATION: NYLON - RED BODY & SLEEVE: COPPER PER (ASTM B 152)	CHK Muty 1-27-85	NAME TERMINAL, RIDG™ SPADE WIRE SIZE: 22-16		
	ARPD Mar 1987 on 10/10/86	SIZE B	FSCM. NO 00779	DRAWING NO 34541
FINISH BODY: 4	DSGN APPD	SCALE NTS		SHEET 1 OF 1
	OTHER APPD			

CUSTOMER DRAWING

## X-ON Electronics

Largest Supplier of Electrical and Electronic Components

*Click to view similar products for [Terminals](#) category:*

*Click to view products by [TE Connectivity](#) manufacturer:*

Other Similar products are found below :

[00-054007-01074-6](#) [00-054007-70206-1](#) [00-054007-70210-8](#) [00-054007-70217-7](#) [00-054007-70226-9](#) [00-054007-70228-3](#) [00-054007-70248-1](#) [00-054007-70256-6](#) [00-054007-70301-3](#) [00-054007-70316-7](#) [00-054007-49560-4](#) [00-054007-70209-2](#) [00-054007-70225-2](#) [00-054007-70227-6](#) [00-054007-70231-3](#) [00-054007-70241-2](#) [00-054007-70242-9](#) [00-054007-70244-3](#) [00-054007-70246-7](#) [00-054007-70263-4](#) [00-054007-70288-7](#) [00-054007-70290-0](#) [00-054007-70300-6](#) [00-054007-70304-4](#) [01-2065-1-0216](#) [01-2900-1-04412](#) [00581P0075](#) [600TS-10](#) [60205-1](#) [604200-1](#) [605601-1](#) [60598-1-CUT-TAPE](#) [61314-6-C](#) [61810-3](#) [61-S](#) [61-SN](#) [626-0194](#) [62-NBM-A](#) [62-SN](#) [62-SP](#) [63-S](#) [640179-1](#) [M55155/059I03](#) [M55155/079C01](#) [M55155/099H02](#) [M55155/109H01](#) [M55155/109H02](#) [M55155/12XH05](#) [M55155/16XH02](#) [M55155/29-5S](#)