

THIS DRAWING IS UNPUBLISHED.

RELEASED FOR PUBLICATION

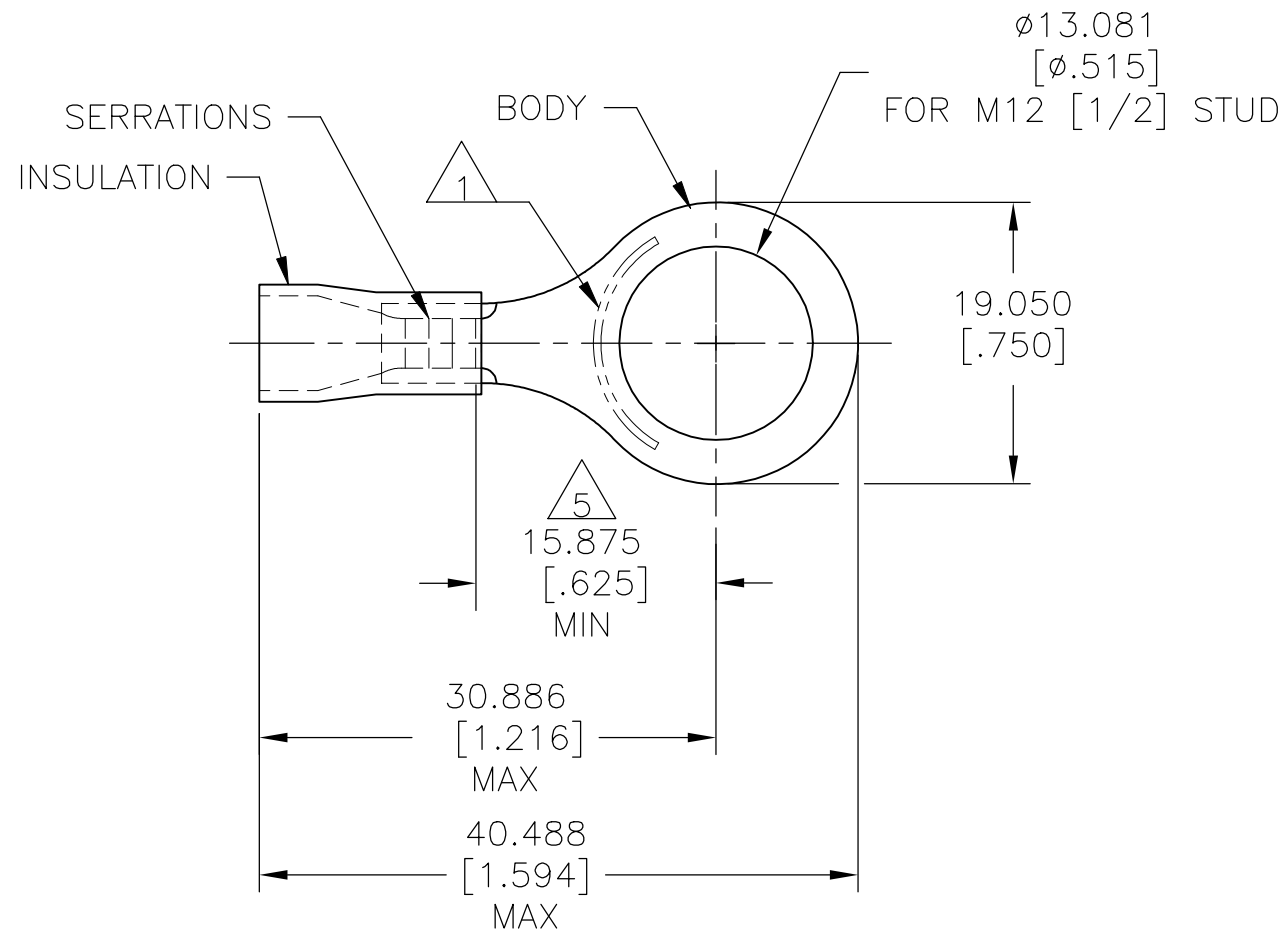
© COPYRIGHT - TE Connectivity Ltd.

ALL RIGHTS RESERVED.

REVISIONS

| P  | LTR | DESCRIPTION               | DATE      | DWN | APVD |
|----|-----|---------------------------|-----------|-----|------|
| Z  |     | REV PER 0G3A-0668-04      | 25AUG04   | JR  | TM   |
| Z1 |     | REVISED PER ECO-17-014338 | 29MAR2018 | RS  | DR   |

|                                |   |   |
|--------------------------------|---|---|
| <b>AMP</b><br>WIRE RANGE       |  Listed<br>FILE E13288 |  LR7189<br>Certified |
| 12-10 AWG<br>SOLID OR STRANDED | 12-10 AWG<br>SOLID OR STRANDED  | 12-10 AWG<br>SOLID OR STRANDED  |



- 1 STAMP AMP 12-10\* 6-9 APPROX AS SHOWN
- 2 WIRE INSULATION:  $\phi 3.810 - \phi 6.350$  [ $\phi .150 - \phi .250$ ]
- 3 BODY MATERIAL THK:  $0.991 \pm 0.051$  [ $.039 \pm .002$ ]
- 4 MATERIAL: BODY - CU PER ASTM B152  
INSULATION - PVC
- 5 APPLIES FROM CENTER OF STUD HOLE TO  
EDGE OF METAL WIRE BARREL

|      |        |               |           |
|------|--------|---------------|-----------|
| 1000 | BLACK  | ON TAPE, REEL | 2-34837-4 |
| 500  | YELLOW | LOOSE PIECE   | 34837     |
| QTY  | COLOR  | PACKAGE TYPE  | PART NO.  |

AMP INCORPORATED  
CUSTOMER SERVICE SYSTEMS

MAX RECOMMENDED OPERATING  
TEMPERATURE:  
105°C [221°F]

THIS DRAWING IS A CONTROLLED DOCUMENT.

DWN 09/29/92  
DK SCHRUM

 TE Connectivity Ltd.

FOR ADDITIONAL  
PRODUCT INFORMATION OR  
COPIES OF DRAWINGS  
AND TECHNICAL DOCUMENTS

PRODUCT INFORMATION CENTER  
1-800-522-6752

VOLTAGE RATING:  
600V MAX  
[1000V SIGNS OR FIXTURES]

DIMENSIONS:  
mm [INCHES]

TOLERANCES UNLESS  
OTHERWISE SPECIFIED:

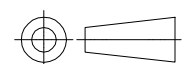
CHK 11/10/92  
RE HERSEY

NAME  
M BARNABA  
PRODUCT SPEC  
UL 486A-B  
APPLICATION SPEC  
114-2161

FOR APPLICATION  
TOOLING INFORMATION

TOOLING ASSISTANCE CENTER  
1-800-722-1111

CIRCULAR MIL AREA:  
2.62-6.64mm<sup>2</sup> [5,180-13,100]  
SOLID OR STRANDED



0 PLC ± -  
1 PLC ± -  
2 PLC ± -  
3 PLC ± 0.127[.005]  
4 PLC ± -  
ANGLES ± -

APVD 11/10/92  
M BARNABA

SIZE CAGE CODE DRAWING NO RESTRICTED TO

FOR ORDER ENTRY

1-800-526-5142

THIS DRAWING IS A CONTROLLED DOCUMENT FOR  
AMP INCORPORATED. IT IS SUBJECT TO CHANGE  
AND THE CONTROLLING ENGINEERING ORGANIZATION  
SHOULD BE CONTACTED FOR THE LATEST REVISION.

MATERIAL



FINISH  
BODY: TIN PER ASTM B545  
INSULATION: COLOR-SEE  
TABLE

APVD 11/10/92  
M BARNABA

PRODUCT SPEC

APPLICATION SPEC

114-2161

WEIGHT

CUSTOMER DRAWING

A3 00779 C-34837

SCALE 2:1 SHEET 1 OF 1 REV Z1

## X-ON Electronics

Largest Supplier of Electrical and Electronic Components

*Click to view similar products for [Terminals](#) category:*

*Click to view products by [TE Connectivity](#) manufacturer:*

Other Similar products are found below :

[HT-13-10](#) [71M-250-32-NB](#) [01-2065-1-0216](#) [00581P0075](#) [M10-10RX](#) [M10BCK](#) [60205-1](#) [604200-1](#) [60598-1-CUT-TAPE](#) [60617-1-C](#) [60873-1](#) [M14-516R/SK](#) [M14-6RSX](#) [M18-8FBX](#) [M18-8R/LX](#) [M18BCK](#) [61314-6-C](#) [61-S](#) [61-SN-A](#) [62-NBM-A](#) [63-S](#) [640179-1](#) [640917-2-CUT-TAPE](#) [6501550002](#) [66107-2-C](#) [696683-1](#) [696834-1](#) [696861-1](#) [696931-1](#) [696999-1](#) [M8-516RK](#) [M86700006](#) [MA250DMFMX-A](#) [701-2007](#) [701-2307](#) [701-7761-03](#) [70F-110-32-PB](#) [718-N-A](#) [71M-187-20-NBL](#) [71M-250-32-NBL](#) [72F-187-20-NBL](#) [72M-250-32-NBL](#) [7310](#) [73F-250-32](#) [73F-250-32-NL](#) [F14-10C](#) [F-1M](#) [751-250](#) [76650-5002](#) [76828-149](#)