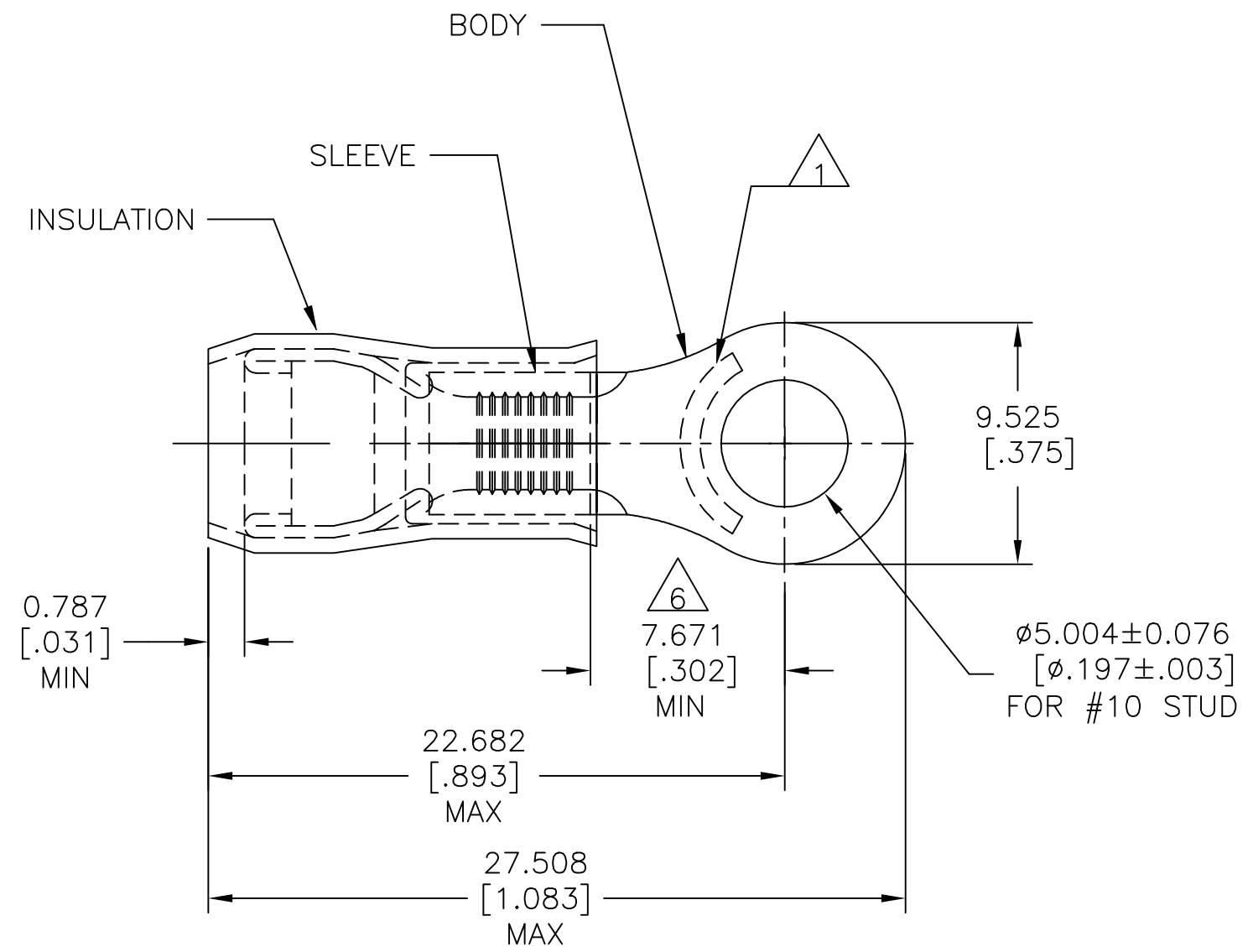


REVISIONS					
P	LTR	DESCRIPTION	DATE	DWN	APVD
	S3	REVISED PER ECO-16-004986	20JUN2016	NK	DR
	S4	REVISED PER ECO-17-007400	01DEC2017	RS	DR

AMP WIRE RANGE	E13288 Listed
12-10 AWG SOLID OR STRANDED	12-10 AWG SOLID OR STRANDED
LR7189 Certified	
12-10 AWG SOLID OR STRANDED	

- STAMP "AMP 12-10*" APPROX AS SHOWN.
- WIRE INSULATION: $\phi 3.810-6.350[\phi .150-.250]$.
- BODY MATERIAL THK: $0.991 \pm 0.051[.039 \pm .002]$.
- BODY & SLEEVE: TIN PLATE $0.00254[.000100]$ MIN EXT THK PER ASTM B545.
- BODY & SLEEVE- CU PER ASTM B152
INSULATION - NYLON PER ASTM D4066
COLOR - YELLOW.
- APPLIES FROM EDGE OF METAL WIRE BARREL
TO CENTER OF STUD HOLE.
- MEETS MS25036-112, CLASS 1 & 2.
- MEETS MS25036-112, CLASS 2.

	100	LOOSE PIECE, BOX	8-35109-1
	2500	ON TAPE & REEL	2-35109-1
	500	LOOSE PIECE	35109
	QTY	PACKAGE TYPE	PART NO



AMP INCORPORATED
 CUSTOMER SERVICE SYSTEMS

FOR ADDITIONAL PRODUCT INFORMATION OR COPIES OF DRAWINGS AND TECHNICAL DOCUMENTS	PRODUCT INFORMATION CENTER 1-800-522-6752
FOR APPLICATION TOOLING INFORMATION	TOOLING ASSISTANCE CENTER 1-800-722-1111
FOR ORDER ENTRY	1-800-526-5142

MAX RECOMMENDED OPERATING TEMPERATURE: 105°C[221°F] MAX
VOLTAGE RATING: 300 VOLT MAX
CIRCULAR MIL AREA: 2.62-6.64mm ² [5,180-13,100] STRANDED OR SOLID

THIS DRAWING IS A CONTROLLED DOCUMENT.	
DIMENSIONS: mm [INCHES]	TOLERANCES UNLESS OTHERWISE SPECIFIED:
	0 PLC ± -
	1 PLC ± -
	2 PLC ± -
	3 PLC ± 0.127[.005]
	4 PLC ± -
	ANGLES ± -
MATERIAL	FINISH

DWN JR RUTH 16DEC09
CHK T MICHIELUTTI 16DEC09
APVD T MICHIELUTTI 16DEC09
PRODUCT SPEC UL486A-B
APPLICATION SPEC 114-2157
WEIGHT -

STE TE Connectivity			
NAME TERMINAL, RING TONGUE, PIDG WIRE SIZE: 12-10 AWG			
SIZE A3	CAGE CODE 00779	DRAWING NO C-35109	RESTRICTED TO -
CUSTOMER DRAWING		SCALE 4:1	SHEET 1 OF 1
		REV S4	

X-ON Electronics

Largest Supplier of Electrical and Electronic Components

Click to view similar products for [Terminals](#) category:

Click to view products by [TE Connectivity](#) manufacturer:

Other Similar products are found below :

[00-054007-01074-6](#) [00-054007-70206-1](#) [00-054007-70210-8](#) [00-054007-70217-7](#) [00-054007-70226-9](#) [00-054007-70228-3](#) [00-054007-70248-1](#) [00-054007-70256-6](#) [00-054007-70301-3](#) [00-054007-70316-7](#) [0-0320562-0](#) [00-054007-49560-4](#) [00-054007-70209-2](#) [00-054007-70225-2](#) [00-054007-70227-6](#) [00-054007-70231-3](#) [00-054007-70241-2](#) [00-054007-70242-9](#) [00-054007-70244-3](#) [00-054007-70246-7](#) [00-054007-70263-4](#) [00-054007-70288-7](#) [00-054007-70290-0](#) [00-054007-70300-6](#) [00-054007-70304-4](#) [01-2065-1-0216](#) [01-2900-1-04412](#) [00581P0075](#) [600TS-10](#) [60205-1](#) [604200-1](#) [605601-1](#) [60598-1-CUT-TAPE](#) [61314-6-C](#) [61810-3](#) [61-S](#) [61-SN](#) [626-0194](#) [62-NBM-A](#) [62-SN](#) [62-SP](#) [63-S](#) [640179-1](#) [M55155/059I03](#) [M55155/079C01](#) [M55155/099H02](#) [M55155/109H01](#) [M55155/109H02](#) [M55155/12XH05](#) [M55155/16XH02](#)