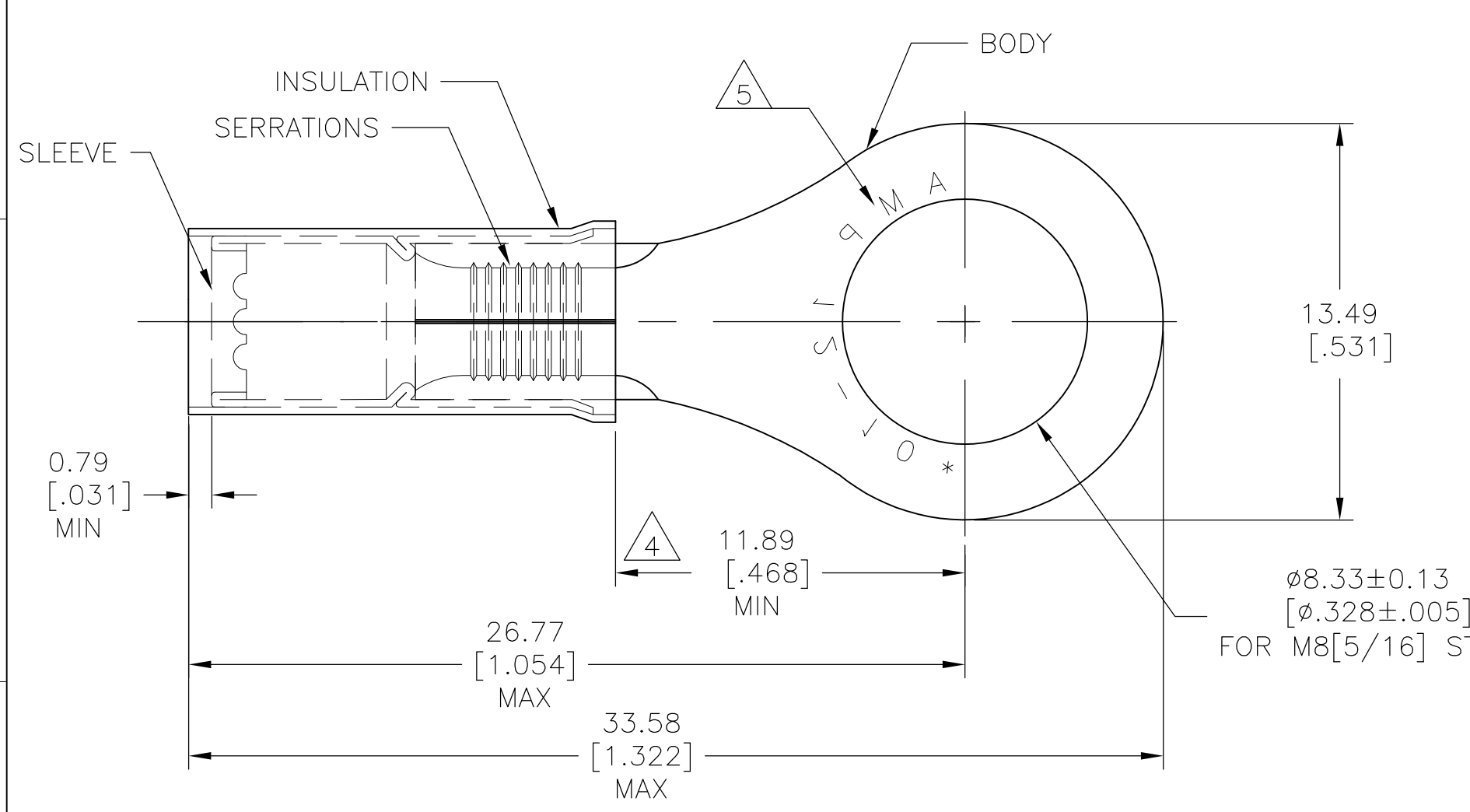


THIS DRAWING IS UNPUBLISHED. RELEASED FOR PUBLICATION
 © COPYRIGHT - By - ALL RIGHTS RESERVED.

LOC	DIST	REVISIONS			
P	LTR	DESCRIPTION	DATE	DWN	APVD
		K3	REVISED PER ECO-13-000473	18JUL13	KH DR



AMP WIRE RANGE	Listed FILE E13288	LR7189 Certified
12-10 AWG SOLID OR STRANDED	12-10 AWG SOLID OR STRANDED	12-10 AWG SOLID OR STRANDED

- 1 FOR WIRE INSULATION DIA: 3.81[.150] TO 6.35[.250]
- 2 TONGUE MATERIAL THK: 1.02±0.05[.040±.002]
- 3 ALTERNATE PVC INSULATION MATERIAL FOR FOREIGN SUBSIDIARIES ONLY.
- 4 DIMENSION APPLIES FROM EDGE OF METAL WIRE BARREL TO CENTER OF STUD HOLE.
- 5 STAMP AMP 12-10* APPROX AS SHOWN
- 6 MATERIAL:
BODY&SLEEVE: COPPER PER ASTM B152
INSULATION: NYLON. 3
- 7 FINISH:
BODY&SLEEVE: TIN PLATE PER ASTM B545
INSULATION: COLOR-YELLOW

-	100	LOOSE PC, BOX	8-35111-1
MS25036-113 CLASS 2	2500	ON TAPE, REEL	2-35111-1
MS25036-113 CLASS 1&2	500	LOOSE PIECE	35111
MILITARY PART NO& CLASS	QTY	PACKAGE TYPE	PART NO

AMP INCORPORATED
CUSTOMER SERVICE SYSTEMS

FOR ADDITIONAL PRODUCT INFORMATION OR COPIES OF DRAWINGS AND TECHNICAL DOCUMENTS
 PRODUCT INFORMATION CENTER
 1-800-522-6752

FOR APPLICATION TOOLING INFORMATION
 TOOLING ASSISTANCE CENTER
 1-800-722-1111

FOR ORDER ENTRY
 1-800-526-5142

RECOMMENDED OPERATING TEMPERATURE:
 105°C [221°F]

VOLTAGE RATING:
 300V MAX

WIRE CROSS SECTIONAL AREA RANGE:
 2.62-6.64mm² [5,180-13,100]
 SOLID OR STRANDED

THIS DRAWING IS A CONTROLLED DOCUMENT.

DIMENSIONS:
 mm [INCHES]

TOLERANCES UNLESS OTHERWISE SPECIFIED:

0 PLC	± -
1 PLC	± -
2 PLC	± 0.20[.008]
3 PLC	± -
4 PLC	± -
ANGLES	± 5°

MATERIAL 6

FINISH 7

DWN KIRAN HOLAL 02APR12
 CHK ROHDE DANIEL 02APR12
 APVD ROHDE DANIEL 02APR12

STE TE Connectivity

NAME: WIRE TERMINAL
 P.I.D.G RING TONGUE
 WIRE SIZE: 12-10

SIZE: A3 CAGE CODE: 00779 DRAWING NO: C-35111 RESTRICTED TO: -

PRODUCT SPEC - APPLICATION SPEC - WEIGHT -

CUSTOMER DRAWING SCALE: 5:1 SHEET: 1 OF 1 REV: K3

X-ON Electronics

Largest Supplier of Electrical and Electronic Components

Click to view similar products for [Terminals](#) category:

Click to view products by [TE Connectivity](#) manufacturer:

Other Similar products are found below :

[00-054007-01074-6](#) [00-054007-70206-1](#) [00-054007-70210-8](#) [00-054007-70217-7](#) [00-054007-70226-9](#) [00-054007-70228-3](#) [00-054007-70248-1](#) [00-054007-70256-6](#) [00-054007-70301-3](#) [00-054007-70316-7](#) [0-0320562-0](#) [00-054007-49560-4](#) [00-054007-70209-2](#) [00-054007-70225-2](#) [00-054007-70227-6](#) [00-054007-70231-3](#) [00-054007-70241-2](#) [00-054007-70242-9](#) [00-054007-70244-3](#) [00-054007-70246-7](#) [00-054007-70263-4](#) [00-054007-70288-7](#) [00-054007-70290-0](#) [00-054007-70300-6](#) [00-054007-70304-4](#) [01-2065-1-0216](#) [01-2900-1-04412](#) [00581P0075](#) [600TS-10](#) [60205-1](#) [604200-1](#) [605601-1](#) [60598-1-CUT-TAPE](#) [61314-6-C](#) [61810-3](#) [61-S](#) [61-SN](#) [626-0194](#) [62-NBM-A](#) [62-SN](#) [62-SP](#) [63-S](#) [640179-1](#) [M55155/059I03](#) [M55155/079C01](#) [M55155/099H02](#) [M55155/109H01](#) [M55155/109H02](#) [M55155/12XH05](#) [M55155/16XH02](#)