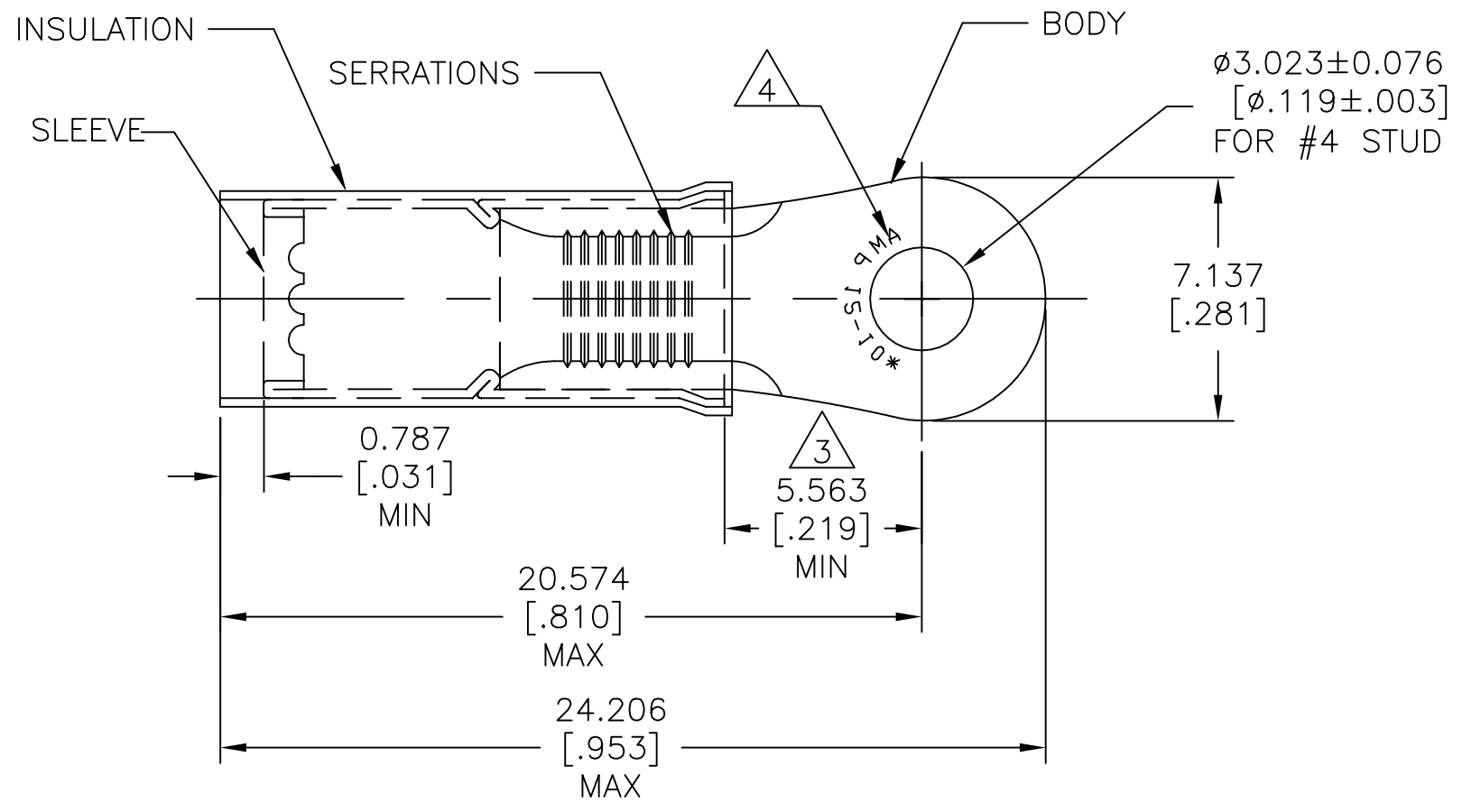


REVISIONS					
P	LTR	DESCRIPTION	DATE	DWN	APVD
	L1	NEW DRAWING PER ECO-11-019045	02APR12	KH	DR
	L2	REVISED PER ECO-17-007400	01DEC2017	RS	DR

<b>AMP</b> WIRE RANGE	Listed FILE E13288	LR7189 Certified
12-10 AWG SOLID OR STRANDED	12-10 AWG SOLID OR STRANDED	12-10 AWG SOLID OR STRANDED



- △1 FOR WIRE INSULATION:  $\phi 3.810-6.350[\phi .150-.250]$
- 2 BODY MATERIAL THK:  $1.016\pm 0.051[.040\pm .002]$
- △3 APPLIES FROM EDGE OF METAL WIRE BARREL TO CENTER OF STUD HOLE.
- △4 STAMP AMP 12-10\* APPROX AS SHOWN
- △5 MATERIAL:  
BODY&SLEEVE: COPPER PER ASTM B152  
INSULATION: NYLON.
- △6 FINISH:  
BODY&SLEEVE: TIN PLATE PER ASTM B545  
INSULATION: COLOR-YELLOW

2000	ON TAPE REEL	1-35148-1
500	LOOSE PIECE	35148
QTY	PACKAGE TYPE	PART NO

AMP INCORPORATED  
 CUSTOMER SERVICE SYSTEMS

FOR ADDITIONAL PRODUCT INFORMATION OR COPIES OF DRAWINGS AND TECHNICAL DOCUMENTS	PRODUCT INFORMATION CENTER 1-800-522-6752	RECOMMENDED OPERATING TEMPERATURE: 105°C [221°F]
FOR APPLICATION TOOLING INFORMATION	TOOLING ASSISTANCE CENTER 1-800-722-1111	VOLTAGE RATING: 300V MAX
FOR ORDER ENTRY	1-800-526-5142	WIRE CROSS SECTIONAL AREA RANGE: 2.62-6.64mm <sup>2</sup> [5,180-13,100] SOLID OR STRANDED

THIS DRAWING IS A CONTROLLED DOCUMENT.	
DIMENSIONS: mm [INCHES]	TOLERANCES UNLESS OTHERWISE SPECIFIED:
	0 PLC ± -
	1 PLC ± -
	2 PLC ± -
	3 PLC ± 0.127[.005]
	4 PLC ± -
	ANGLES ± 5°
MATERIAL	FINISH
△5	△6

DWN KIRAN HOLAL 02APR12	TE Connectivity	
CHK ROHDE DANIEL 02APR12		
APVD ROHDE DANIEL 02APR12	NAME	
PRODUCT SPEC UL486A-B	WIRE TERMINAL P.I.D.G RING TONGUE WIRE SIZE: 12-10	
APPLICATION SPEC 114-2157	SIZE A3	CAGE CODE 00779
WEIGHT	DRAWING NO C=35148	RESTRICTED TO -
CUSTOMER DRAWING	SCALE 5:1	SHEET 1 OF 1
		REV L2

## X-ON Electronics

Largest Supplier of Electrical and Electronic Components

*Click to view similar products for [Terminals](#) category:*

*Click to view products by [TE Connectivity](#) manufacturer:*

Other Similar products are found below :

[00-054007-01074-6](#) [00-054007-70206-1](#) [00-054007-70210-8](#) [00-054007-70217-7](#) [00-054007-70226-9](#) [00-054007-70228-3](#) [00-054007-70248-1](#) [00-054007-70256-6](#) [00-054007-70301-3](#) [00-054007-70316-7](#) [0-0320562-0](#) [00-054007-49560-4](#) [00-054007-70209-2](#) [00-054007-70225-2](#) [00-054007-70227-6](#) [00-054007-70231-3](#) [00-054007-70241-2](#) [00-054007-70242-9](#) [00-054007-70244-3](#) [00-054007-70246-7](#) [00-054007-70263-4](#) [00-054007-70288-7](#) [00-054007-70290-0](#) [00-054007-70300-6](#) [00-054007-70304-4](#) [01-2065-1-0216](#) [01-2900-1-04412](#) [00581P0075](#) [600TS-10](#) [60205-1](#) [604200-1](#) [605601-1](#) [60598-1-CUT-TAPE](#) [61314-6-C](#) [61810-3](#) [61-S](#) [61-SN](#) [626-0194](#) [62-NBM-A](#) [62-SN](#) [62-SP](#) [63-S](#) [640179-1](#) [M55155/059I03](#) [M55155/079C01](#) [M55155/099H02](#) [M55155/109H01](#) [M55155/109H02](#) [M55155/12XH05](#) [M55155/16XH02](#)