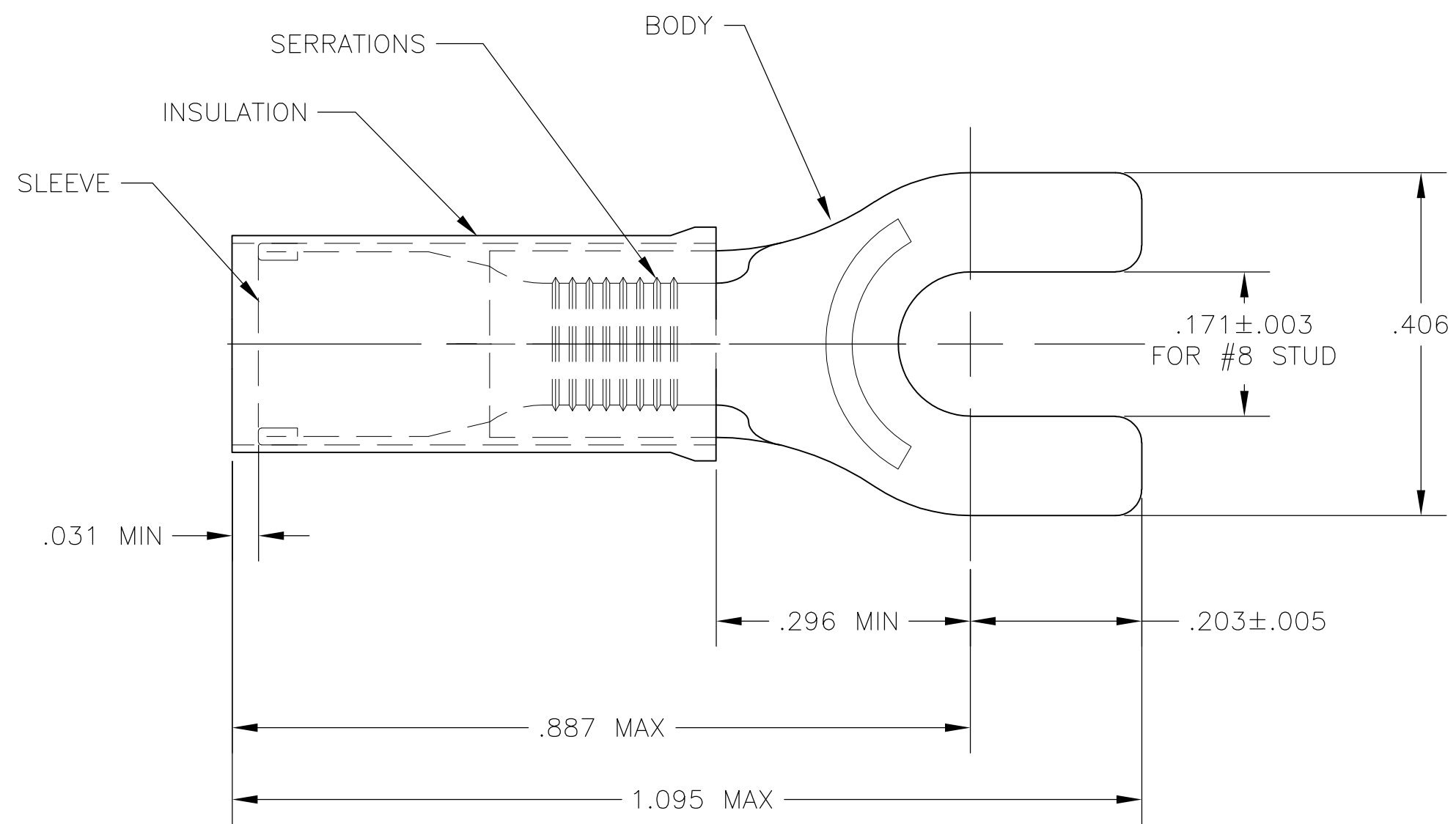


THIS DRAWING IS UNPUBLISHED. RELEASED FOR PUBLICATION
 © COPYRIGHT BY TYCO ELECTRONICS CORPORATION. ALL INTERNATIONAL RIGHTS RESERVED.

LOC	DIST	REVISIONS					
G	14	P	LTR	DESCRIPTION	DATE	DWN	APVD
		E1		REDRAWN PER ECR 09-006116	17MAR09	JR	TM



- 1 FOR .150 TO .250 WIRE INSULATION DIA.
- 2 MATERIAL TONGUE THK IS .040±.002

LOOSE PIECE, BOX	INSULATION: NYLON, COLOR YELLOW SLEEVE: COPPER PER ASTM B152 BODY: COPPER PER ASTM B152 TIN PLATE PER ASTM B545	8-35152-2
35152 ON TAPE		2-35152-1
WIRE TERMINAL		35152
DESCRIPTION	MATERIAL	PART NO

THIS DRAWING IS A CONTROLLED DOCUMENT.		DWN jr_ruth 17MAR09	Tyco Electronics Corporation Harrisburg, PA 17105-3608	
DIMENSIONS: INCHES		CHK TOM MICHIELUTTI 17MAR09		
		APVD TOM MICHIELUTTI 17MAR09	NAME TERMINAL, PIDG SPADE, WIRE SIZE 12-10 AWG	
TOLERANCES UNLESS OTHERWISE SPECIFIED:		PRODUCT SPEC	RESTRICTED TO	
0 PLC ± - 1 PLC ± - 2 PLC ± - 3 PLC ± .008 4 PLC ± - ANGLES ± 5°		APPLICATION SPEC	SIZE A3	CAGE CODE 00779
MATERIAL SEE TABLE		WEIGHT -	DRAWING NO G-35152	REV E1
FINISH SEE TABLE		CUSTOMER DRAWING		SCALE 8:1
				SHEET 1 OF 1

X-ON Electronics

Largest Supplier of Electrical and Electronic Components

Click to view similar products for [Terminals](#) category:

Click to view products by [TE Connectivity](#) manufacturer:

Other Similar products are found below :

[00-054007-01074-6](#) [00-054007-70206-1](#) [00-054007-70210-8](#) [00-054007-70217-7](#) [00-054007-70226-9](#) [00-054007-70228-3](#) [00-054007-70248-1](#) [00-054007-70256-6](#) [00-054007-70301-3](#) [00-054007-70316-7](#) [0-0320562-0](#) [00-054007-49560-4](#) [00-054007-70209-2](#) [00-054007-70225-2](#) [00-054007-70227-6](#) [00-054007-70231-3](#) [00-054007-70241-2](#) [00-054007-70242-9](#) [00-054007-70244-3](#) [00-054007-70246-7](#) [00-054007-70263-4](#) [00-054007-70288-7](#) [00-054007-70290-0](#) [00-054007-70300-6](#) [00-054007-70304-4](#) [01-2065-1-0216](#) [01-2900-1-04412](#) [00581P0075](#) [600TS-10](#) [60205-1](#) [604200-1](#) [605601-1](#) [60598-1-CUT-TAPE](#) [61314-6-C](#) [61810-3](#) [61-S](#) [61-SN](#) [626-0194](#) [62-NBM-A](#) [62-SN](#) [62-SP](#) [63-S](#) [640179-1](#) [M55155/059I03](#) [M55155/079C01](#) [M55155/099H02](#) [M55155/109H01](#) [M55155/109H02](#) [M55155/12XH05](#) [M55155/16XH02](#)