

THIS DRAWING IS UNPUBLISHED.

RELEASED FOR PUBLICATION

REVISIONS

© COPYRIGHT - By -

ALL RIGHTS RESERVED.

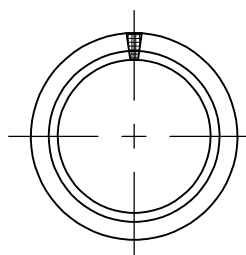
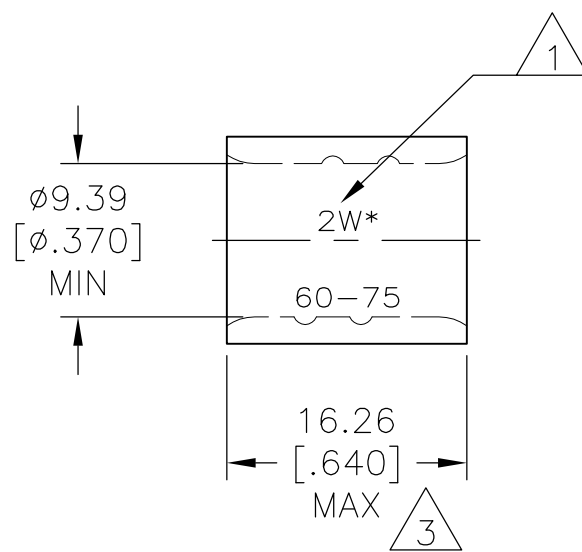
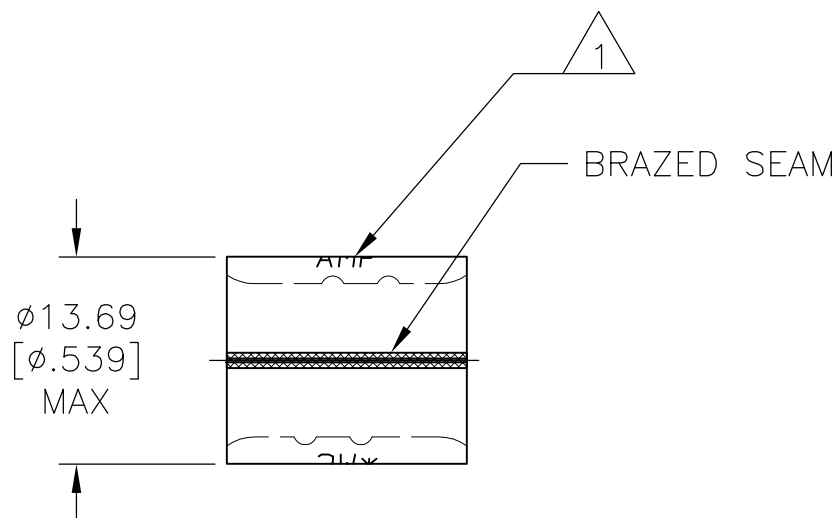
P	LTR	DESCRIPTION	DATE	DWN	APVD
	F5	REVISED PER ECR-17-000959	24FEB2017	RS	DR

**AMP**  
WIRE RANGE

---

2 AWG  
SOLID OR STRANDED

- 1 STAMP AMP 2W\* 60-75 APPROX AS SHOWN.
- 2 MATERIAL THK: 1.78<sup>±0.08</sup> [.070<sup>±.003</sup>].
- 3 MAX LENGTH DOES NOT INCLUDE MANUFACTURING TABS.
- 4 TIN PLATE 0.00254 [.000100] MIN. EXT. THK. PER ASTM B545.
- 5 TIN/LEAD (60/40) PLATE, 0.00254 [.000100] MIN. EXT. THK. PER SAE-AMS-P-81728.
- 6 UL LISTED E13288, 2 AWG STRANDED.
- 7 NOTE DELETED.
- 8 CSA CERTIFIED LR7189, 2 AWG SOLID OR STRANDED.
- 9 NICKEL PLATE 0.00762 [.000300] MIN. EXT. THK. PER SAE AMS QQ-N-290.



PRELIMINARY

MAX. OPERATING TEMPERATURE	QTY.	PACKAGE TYPE	APPROVALS	FINISH	PART NO.
170°C [338°F]	25	LOOSE PIECE	6 8	4	8-35187-3
343°C [650°F]	50		---	9	35187-3
170°C [338°F]	50		---	5	35187-1
	50		6 8	4	35187

**AMP INCORPORATED**  
CUSTOMER SERVICE SYSTEMS

FOR ADDITIONAL PRODUCT INFORMATION OR COPIES OF DRAWINGS AND TECHNICAL DOCUMENTS  
PRODUCT INFORMATION CENTER  
1-800-522-6752

FOR APPLICATION TOOLING INFORMATION  
TOOLING ASSISTANCE CENTER  
1-800-722-1111

FOR ORDER ENTRY  
1-800-526-5142

MAX RECOMMENDED OPERATING TEMPERATURE:  
SEE TABLE

VOLTAGE RATING:  
N/A

CIRCULAR MIL AREA:  
26.7-42.4mm<sup>2</sup> [52,600-83,700]  
SOLID OR STRANDED

THIS DRAWING IS A CONTROLLED DOCUMENT.

DIMENSIONS:  
mm [INCHES]

TOLERANCES UNLESS OTHERWISE SPECIFIED:

0 PLC ± -  
1 PLC ± -  
2 PLC ± 0.20 [.008]  
3 PLC ± -  
4 PLC ± -  
ANGLES ± -

MATERIAL  
COPPER ASTM B-152

FINISH  
SEE TABLE

DWN DK SCHRUM 8/28/92  
CHK DA PATTERSON 9/8/92  
APVD DA PATTERSON 9/8/92

**STE** TE Connectivity

NAME  
SPLICE, PARALLEL, SOLISTRAND

PRODUCT SPEC  
APPLICATION SPEC

SIZE A3 CAGE CODE 00779 DRAWING NO C-35187 RESTRICTED TO -

WEIGHT -

CUSTOMER DRAWING SCALE 2:1 SHEET 1 OF 1 REV F5

## X-ON Electronics

Largest Supplier of Electrical and Electronic Components

*Click to view similar products for [Terminals](#) category:*

*Click to view products by [TE Connectivity](#) manufacturer:*

Other Similar products are found below :

[00-054007-01074-6](#) [00-054007-70206-1](#) [00-054007-70210-8](#) [00-054007-70217-7](#) [00-054007-70226-9](#) [00-054007-70228-3](#) [00-054007-70248-1](#) [00-054007-70256-6](#) [00-054007-70301-3](#) [00-054007-70316-7](#) [00-054007-49560-4](#) [00-054007-70209-2](#) [00-054007-70225-2](#) [00-054007-70227-6](#) [00-054007-70231-3](#) [00-054007-70241-2](#) [00-054007-70242-9](#) [00-054007-70244-3](#) [00-054007-70246-7](#) [00-054007-70263-4](#) [00-054007-70288-7](#) [00-054007-70290-0](#) [00-054007-70300-6](#) [00-054007-70304-4](#) [01-2065-1-0216](#) [01-2900-1-04412](#) [00581P0075](#) [600TS-10](#) [60205-1](#) [604200-1](#) [605601-1](#) [60598-1-CUT-TAPE](#) [61314-6-C](#) [61810-3](#) [61-S](#) [61-SN](#) [626-0194](#) [62-NBM-A](#) [62-SN](#) [62-SP](#) [63-S](#) [640179-1](#) [M55155/059I03](#) [M55155/079C01](#) [M55155/099H02](#) [M55155/109H01](#) [M55155/109H02](#) [M55155/12XH05](#) [M55155/16XH02](#) [M55155/29-5S](#)