
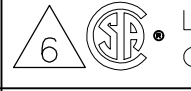
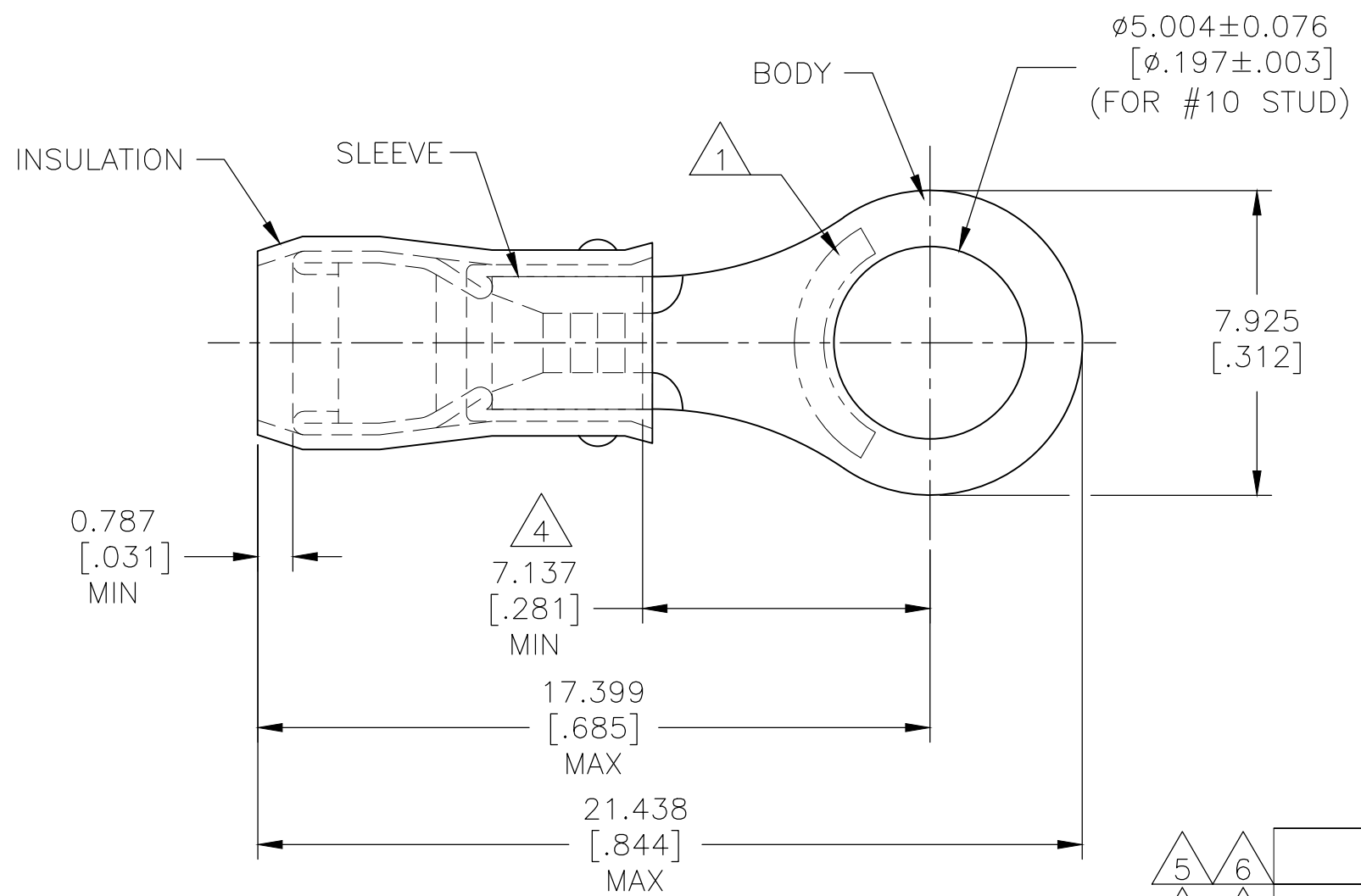


THIS DRAWING IS UNPUBLISHED. RELEASED FOR PUBLICATION
 © COPYRIGHT - By - ALL RIGHTS RESERVED.

REVISIONS					
P	LTR	DESCRIPTION	DATE	DWN	APVD
AA1		REVISE PER ECO-17-007400	18DEC2017	RS	DR
AA2		REVISED PER ECO-19-007720	21MAY2020	KR	DR



AMP WIRE RANGE	 E13288 Listed	 LR7189 Certified
22-16 AWG SOLID OR STRANDED	22-16 AWG STRANDED	22-16 AWG SOLID OR STRANDED



- 1 STAMP AMP 22-18* APPROX AS SHOWN
22-16 TERMINALS ARE STAMPED 22-18 IN
ACCORDANCE WITH MILITARY SPEC SAE AS7928
COMMERCIAL WIRE RANGE IS 22-16.
- 2 WIRE INSULATION : $\phi 2.032-3.175[\phi .080-.125]$.
- 3 BODY MATERIAL THK: $0.787\pm 0.051[.031\pm .002]$.
- 4 APPLIES FROM EDGE OF METAL WIRE BARREL
TO CENTER OF STUD HOLE.
- 5 UL LISTED
- 6 CSA CERTIFIED

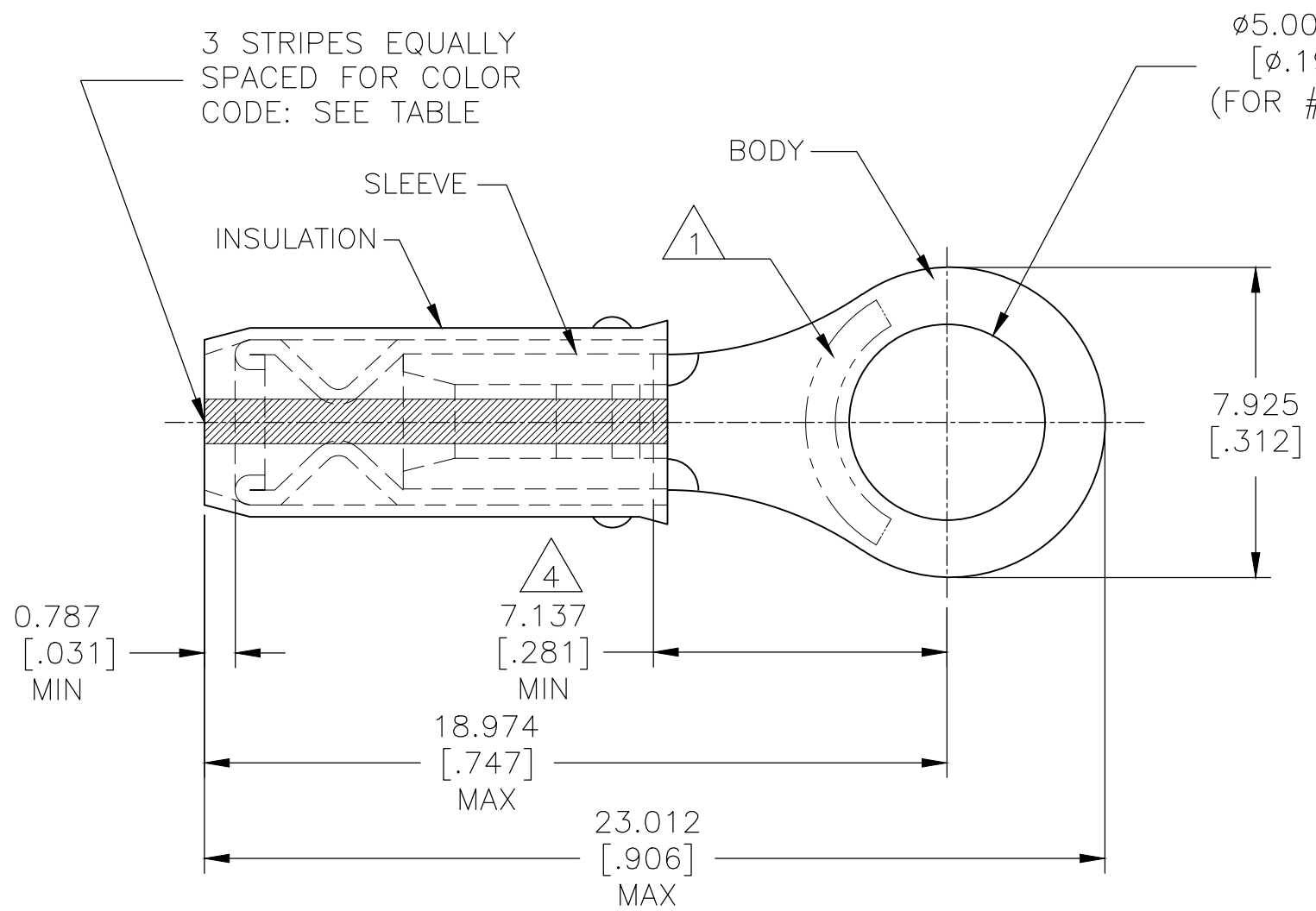
MILITARY P/N AND CLASS	QUANTITY	PACKAGE TYPE	PART NO
-	100	LOOSE PIECE, BOX	6-36153-1
MS25036-103 CLASS 2	5000	ON TAPE, REEL	2-36153-2
MS25036-103 CLASS 1 & 2	1000	LOOSE PIECE	36153

AMP INCORPORATED CUSTOMER SERVICE SYSTEMS		MAX RECOMMENDED OPERATING TEMPERATURE: 105°C[221°F] MAX
FOR ADDITIONAL PRODUCT INFORMATION OR COPIES OF DRAWINGS AND TECHNICAL DOCUMENTS	PRODUCT INFORMATION CENTER 1-800-522-6752	VOLTAGE RATING: 300 V MAX
FOR APPLICATION TOOLING INFORMATION	TOOLING ASSISTANCE CENTER 1-800-722-1111	CIRCULAR MIL AREA: 0.26-1.65mm ² [509-3,260] CIR MILS SOLID OR STRANDED
FOR ORDER ENTRY	1-800-526-5142	THIS DRAWING IS A CONTROLLED DOCUMENT FOR AMP INCORPORATED. IT IS SUBJECT TO CHANGE AND THE CONTROLLING ENGINEERING ORGANIZATION SHOULD BE CONTACTED FOR THE LATEST REVISION.

THIS DRAWING IS A CONTROLLED DOCUMENT.		DWN DK SCHRUM 9/8/93	 TE Connectivity	
DIMENSIONS: mm [INCHES]		CHK RE HERSEY 9/8/93		
TOLERANCES UNLESS OTHERWISE SPECIFIED:		APVD ML ELLIS 9/8/93	NAME TERMINAL, RING TONGUE, PIDG™ WIRE SIZE, 22-16 AWG	
0 PLC ± - 1 PLC ± - 2 PLC ± - 3 PLC ± 0.127[.005] 4 PLC ± - ANGLES ± -		PRODUCT SPEC UL 486 A-B 	APPLICATION SPEC 114-2157	RESTRICTED TO
MATERIAL BODY & SLEEVE: COPPER PER ASTM B-152 INSULATION: NYLON	FINISH BODY & SLEEVE: TIN PLATE PER ASTM B545 INSULATION: COLOR-RED	WEIGHT -	SIZE A3	CAGE CODE 00779
CUSTOMER DRAWING			DRAWING NO C-36153	SCALE NTS
			SHEET 1 OF 2	REV AA2

THIS DRAWING IS UNPUBLISHED. RELEASED FOR PUBLICATION
 © COPYRIGHT - By - ALL RIGHTS RESERVED.

REVISIONS				
P	LTR	DESCRIPTION	DATE	APVD
-	-	SEE SHEET 1	-	-



AMP WIRE RANGE	LR 7189 Certified
SEE TABLE STRANDED	WIRE SIZE PER TABLE STRANDED

- 1 STAMP AMP [] APPROX AS SHOWN SEE TABLE BELOW.
- 2 WIRE INSULATION : Ø0.965-2.794[Ø.038-.110] FOR 22 AWG.
Ø1.168-2.794[Ø.046-.110] FOR 20 AWG.
Ø1.422-2.794[Ø.056-.110] FOR 18 AWG.
- 3 BODY MATERIAL THK: 0.787±0.051[.031±.002].
- 4 APPLIES FROM EDGE OF METAL WIRE BARREL TO CENTER OF STUD HOLE.
- 5 CSA CERTIFIED

5	-	RED	20*	20	100	LOOSE PIECE, BOX	8-36153-1
5	MS7928/1-33 CLASS 2	WHITE	18*	18	5000	ON TAPE, REEL	2-36153-9
5	M7928/1-24 CLASS 2	RED	20*	20	5000	ON TAPE, REEL	2-36153-8
5	M7928/1-15 CLASS 2	GREEN	22*	22	5000	ON TAPE, REEL	2-36153-6
5	MS7928/1-33 CLASS 1 & 2	WHITE	18*	18	1000	LOOSE PIECE	2-36153-5
5	M7928/1-24 CLASS 1 & 2	RED	20*	20	1000	LOOSE PIECE	2-36153-4
5	M7928/1-15 CLASS 1 & 2	GREEN	22*	22	1000	LOOSE PIECE	2-36153-3
	MILITARY P/N AND CLASS	STRIPE COLOR	1 STAMPING	WIRE SIZE	QUANTITY	PACKAGE TYPE	PART NO

AMP INCORPORATED
CUSTOMER SERVICE SYSTEMS

FOR ADDITIONAL PRODUCT INFORMATION OR COPIES OF DRAWINGS AND TECHNICAL DOCUMENTS
 FOR APPLICATION TOOLING INFORMATION
 FOR ORDER ENTRY

PRODUCT INFORMATION CENTER
 1-800-522-6752

TOOLING ASSISTANCE CENTER
 1-800-722-1111

1-800-526-5142

MAX RECOMMENDED OPERATING TEMPERATURE:
 105°C [221°F] MAX

VOLTAGE RATING: 300 V MAX

WIRE RANGE: CIRC MIL AREA:
 22 0.38mm² [754]
 20 0.60mm² [1,186]
 18 0.96mm² [1,900]

STRANDED

THIS DRAWING IS A CONTROLLED DOCUMENT FOR AMP INCORPORATED. IT IS SUBJECT TO CHANGE AND THE CONTROLLING ENGINEERING ORGANIZATION SHOULD BE CONTACTED FOR THE LATEST REVISION.

THIS DRAWING IS A CONTROLLED DOCUMENT.

DIMENSIONS: mm [INCHES]

TOLERANCES UNLESS OTHERWISE SPECIFIED:
 0 PLC ± -
 1 PLC ± -
 2 PLC ± -
 3 PLC ± 0.127[.005]
 4 PLC ± -
 ANGLES ± -

MATERIAL: BODY & SLEEVE: COPPER PER ASTM B-152 INSULATION: NYLON

FINISH: BODY & SLEEVE: TIN PLATE PER ASTM B545 INSULATION: COLOR-RED

DWN DK SCHRUM 9/8/93
 CHK RE HERSEY 9/8/93
 APVD ML ELLIS 9/8/93

PRODUCT SPEC -
 APPLICATION SPEC 114-2157
 WEIGHT -

STE TE Connectivity

NAME: TERMINAL, RING TONGUE, I.R., PIDG™ WIRE SIZE, 22, 20 & 18 AWG

SIZE: A3 CAGE CODE: 00779 DRAWING NO: C-36153 RESTRICTED TO: -

CUSTOMER DRAWING SCALE: NTS SHEET: 2 OF 2 REV: AA2

X-ON Electronics

Largest Supplier of Electrical and Electronic Components

Click to view similar products for [Terminals](#) category:

Click to view products by [TE Connectivity](#) manufacturer:

Other Similar products are found below :

[00-054007-01074-6](#) [00-054007-70206-1](#) [00-054007-70210-8](#) [00-054007-70217-7](#) [00-054007-70226-9](#) [00-054007-70228-3](#) [00-054007-70248-1](#) [00-054007-70256-6](#) [00-054007-70301-3](#) [00-054007-70316-7](#) [00-054007-49560-4](#) [00-054007-70209-2](#) [00-054007-70225-2](#) [00-054007-70227-6](#) [00-054007-70231-3](#) [00-054007-70241-2](#) [00-054007-70242-9](#) [00-054007-70244-3](#) [00-054007-70246-7](#) [00-054007-70263-4](#) [00-054007-70288-7](#) [00-054007-70290-0](#) [00-054007-70300-6](#) [00-054007-70304-4](#) [01-2065-1-0216](#) [01-2900-1-04412](#) [00581P0075](#) [600TS-10](#) [60205-1](#) [604200-1](#) [605601-1](#) [60598-1-CUT-TAPE](#) [61314-6-C](#) [61810-3](#) [61-S](#) [61-SN](#) [626-0194](#) [62-NBM-A](#) [62-SN](#) [62-SP](#) [63-S](#) [640179-1](#) [M55155/059I03](#) [M55155/079C01](#) [M55155/099H02](#) [M55155/109H01](#) [M55155/109H02](#) [M55155/12XH05](#) [M55155/16XH02](#) [M55155/29-5S](#)