

Thermofit® Molded Parts Specification Control Drawing

Part Number: 102A981
Description: Switch Cover

Notes:

- All dimensions are in $\frac{\text{Inches}}{[\text{Millimeters}]}$
- Dimensions appearing in table are as follows:
a - as supplied
b - after unrestricted recovery
- Coating is optional. As supplied dimensions appearing in table are for uncoated parts. When coating is added, entry diameters will be reduced by .06 max.
- This part fits MS 24523 switch or equivalent shaped bat handle switch.
- Standard color is grey. Other colors available upon request.

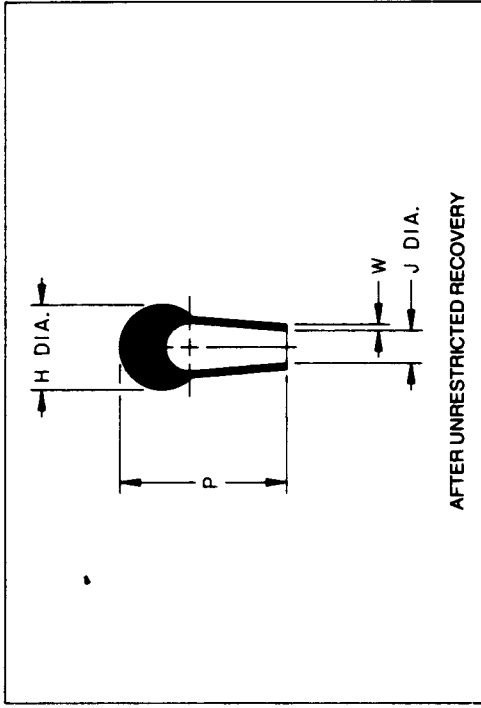
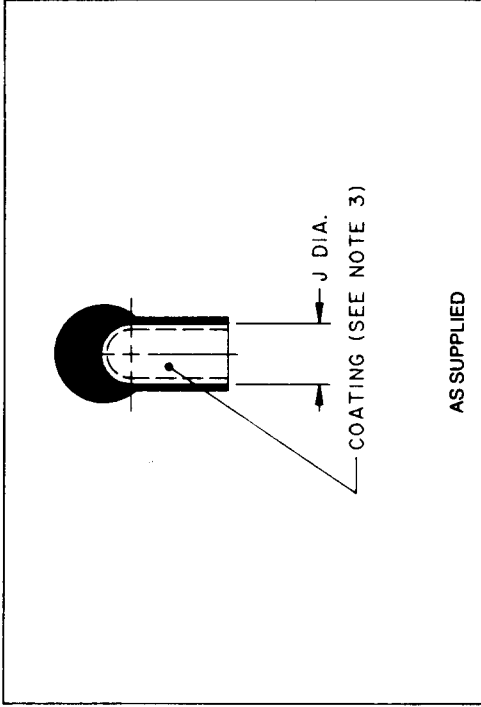


Table of Dimensions

Part Number	H $\pm 10\%$ b	J		P $\pm 10\%$ b	W $\pm 20\%$ b	Weight Nom [1.0]
		Min a	Max b			
102A981	$\frac{.42}{[10.7]}$	$\frac{.29}{[7.4]}$	$\frac{.18}{[4.6]}$	$\frac{.80}{[20.3]}$	$\frac{.03}{[0.76]}$	$\frac{.002}{[1.0]}$

Raychem
Raychem Corporation
300 Constitution Drive
Menlo Park, California 94025
415) 361 6055

Revision: **B**
Date: **3-8-90**

Part Number: 102A981
Description: Switch Cover

Thermofit® Molded Parts Specification Control Drawing

Part Number: 102A981
Description: Switch Cover

Compatibility Chart				
Material Dash No.	Material Description	RT Spec	Coating Slash No.	Coating Description
- 3	Polyolefin, Semi-Rigid	RT-301	/42	S-1017 Adhesive

Ordering Information:

102A981 — X — XX / XX

Base part number _____

Material dash number _____
(see compatibility chart)

Modification number _____
(if necessary, see front of SCD binder
for a complete modification list)

Adhesive slash number _____
(if necessary, see compatibility chart)

This drawing is subject to change without notice; consult your nearest field representative for current revision.

Raychem
Raychem Corporation
300 Constitution Drive
Menlo Park, California 94025
415) 361 6055

Revision: **B**
Date: **3-8-90**

Part Number: 102A981
Description: Switch Cover

X-ON Electronics

Largest Supplier of Electrical and Electronic Components

Click to view similar products for [Cable Mounting & Accessories](#) category:

Click to view products by [TE Connectivity](#) manufacturer:

Other Similar products are found below :

[HP-4N](#) [582603-1](#) [009333-000](#) [727844N003](#) [809090N001](#) [8109](#) [843188-000](#) [843459N001](#) [843460N003](#) [8666](#) [967279N002](#) [GPQC1/0](#) [DB-11](#) [1300830208](#) [1300840039](#) [1300900026](#) [1300990052](#) [1301740005](#) [1301800121](#) [1301800416](#) [1300830184](#) [1300990149](#) [1301580036](#) [1301720103](#) [1301720135](#) [1301720152](#) [1301720157](#) [1301740009](#) [1301770011](#) [1301850553](#) [1301860939](#) [1302000074](#) [1302264431](#) [1337706-2](#) [APA18-AK](#) [MTX6UTPSRC-C](#) [1-787307-1](#) [185491N001](#) [HP-6N](#) [C-202-C](#) [202C221-13-0](#) [OMTM-S10-C0](#) [205339-4](#) [CA7308-000](#) [8S23-75FR-CS8184](#) [2684](#) [9648](#) [3089](#) [988382-000](#) [A0270164](#)