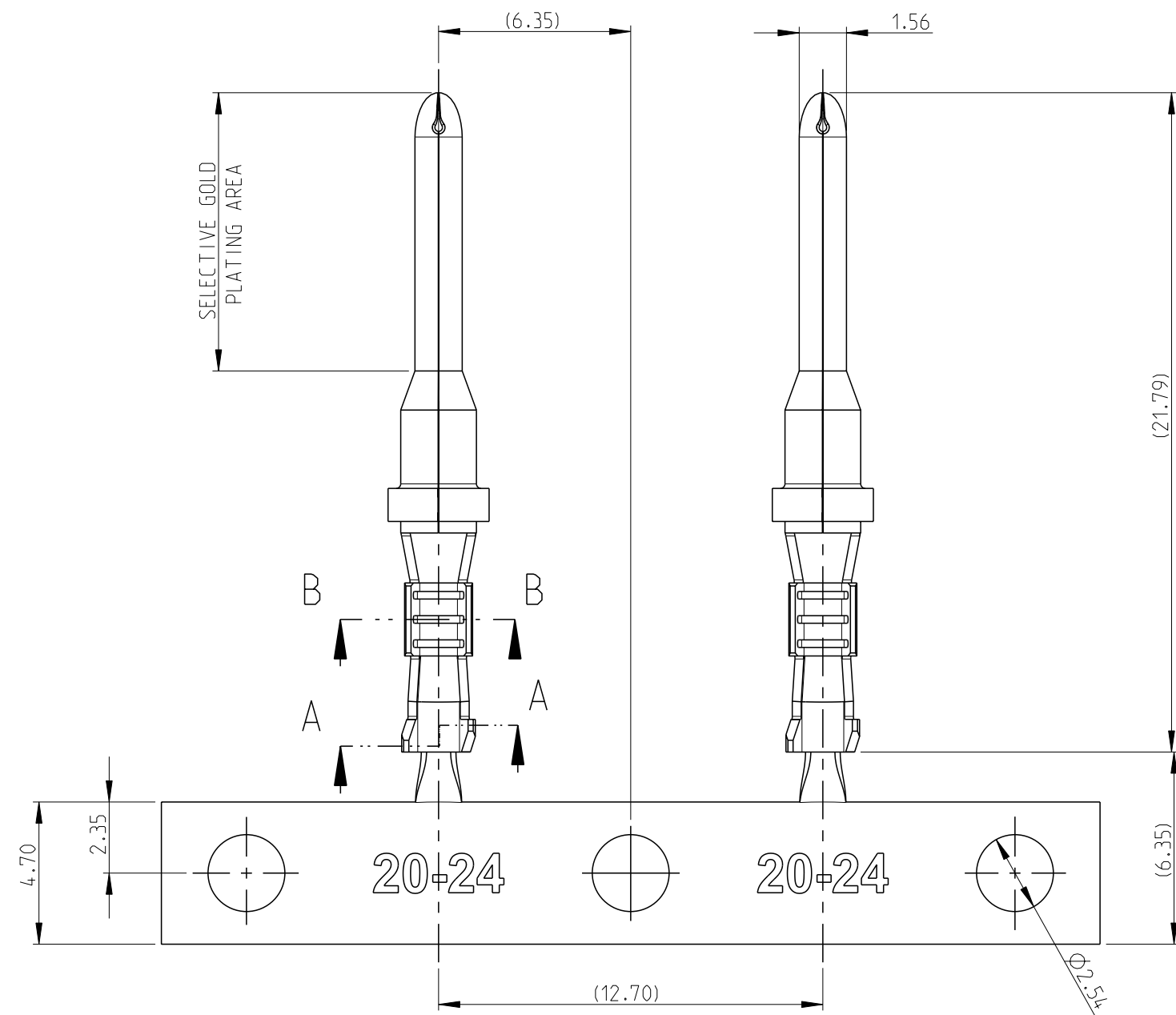
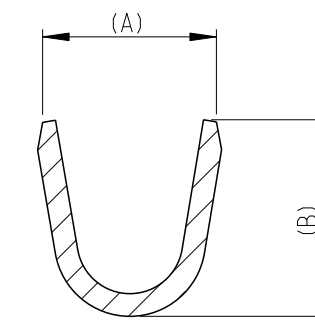


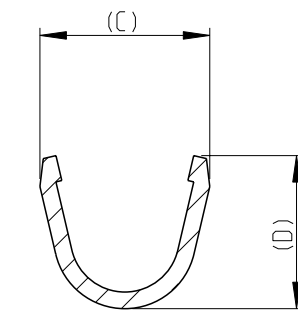
P	LTR	DESCRIPTION	DATE	DWN	APVD
A		INITIAL RELEASE	04NOV2020	J.G	I.Y
A1		REVISE	12JAN2021	J.G	I.Y



- 1 MATERIAL: COPPER ALLOY 0.300 THICKNESS.
- 2 FINISH: OVERALL NICKEL 1.75 μm MINIMUM.
- 3 FINISH: SELECTIVE HARD GOLD 0.6 μm MINIMUM OVER NICKEL 1.0 μm MINIMUM ALL OVER.
- 4. STRIP PARTS ARE REELED 3000 PARTS PER REEL.
- 5. TERMINAL FOR USE ON XRC & ML-XT CONNECTOR ASSEMBLIES.

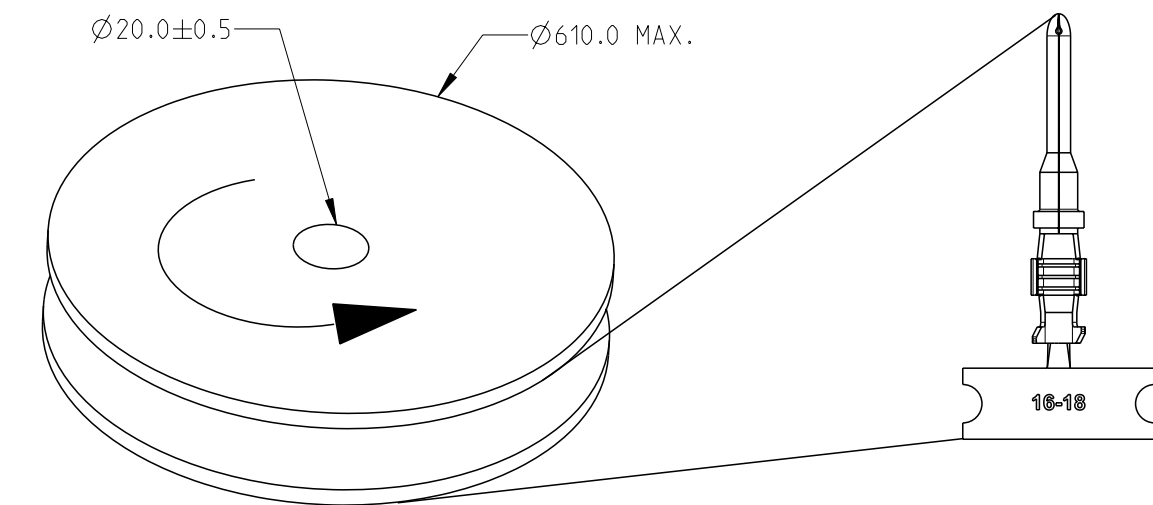


SECTION A-A
SCALE: 10:1
INSULATION CRIMP



SECTION B-B
SCALE: 10:1
CONTACTOR CRIMP

SCALE 5:1
20-24 AWG SIZE SHOWN



INSULATION RANGE	WIRE RANGE	STAMP NO.	D	C	B	A	FINISH	MATERIAL	PART NUMBER
1.20mm-1.80mm	20-24 AWG	20-24	2.02	2.25	2.60	2.43	SELECTIVE GOLD 3	COPPER ALLOY 1	5-2600020-3
1.20mm-1.80mm	20-24 AWG	20-24	2.02	2.25	2.60	2.43	NICKEL 2		5-2600020-2
1.40mm-2.54mm	0.5-1.0 mm ²	0.5-1.0	2.91	3.71	2.92	3.40	SELECTIVE GOLD 3		4-2600020-3
1.40mm-2.54mm	0.5-1.0 mm ²	0.5-1.0	2.91	3.71	2.92	3.40	NICKEL 2		4-2600020-2
2.41mm-3.81mm	14-18 AWG	14-18	3.43	4.05	4.60	5.68	SELECTIVE GOLD 3		3-2600020-3
2.41mm-3.81mm	14-18 AWG	14-18	3.43	4.05	4.60	5.68	NICKEL 2		3-2600020-2
1.90mm-3.30mm	14-18 AWG	14-18 TW	3.27	3.95	3.38	4.56	SELECTIVE GOLD 3		2-2600020-3
1.90mm-3.30mm	14-18 AWG	14-18 TW	3.27	3.95	3.38	4.56	NICKEL 2		2-2600020-2
1.40mm-2.16mm	16-18 AWG	16-18	2.85	3.66	2.82	3.48	SELECTIVE GOLD 3		1-2600020-3
1.40mm-2.16mm	16-18 AWG	16-18	2.85	3.66	2.82	3.48	NICKEL 2		1-2600020-2

THIS DRAWING IS A CONTROLLED DOCUMENT.

DIMENSIONS: mm	TOLERANCES UNLESS OTHERWISE SPECIFIED: PLC ±0.20 1 PLC ± 2 PLC ± 3 PLC ± 4 PLC ± ANGLES ±2.0° FINISH	DWN: J.GU 04NOV2020 CHK: W.ZHANG 17DEC2020 APVD: J.YIN 17DEC2020	TE Connectivity NAME: XRC PIN TERMINAL
MATERIAL: -		PRODUCT SPEC: 108-160011 APPLICATION SPEC: 114-160066 WEIGHT: -	
		CUSTOMER DRAWING	SIZE: A2 CAGE CODE: 00779 DRAWING NO: C-2600020 RESTRICTED TO: - SCALE: 5:1 SHEET 1 OF 1 REV A1

X-ON Electronics

Largest Supplier of Electrical and Electronic Components

Click to view similar products for [Automotive Connectors](#) category:

Click to view products by [TE Connectivity](#) manufacturer:

Other Similar products are found below :

[003-018-000](#) [60403001](#) [60993906-B](#) [M902-2131](#) [M902-2161](#) [72.330.1035.1](#) [73.353.4028.0](#) [F119300-B](#) [F166900](#) [F258300-B](#) [F358300-B](#)
[F407400](#) [F444110](#) [F487000](#) [F509500B-B](#) [827153-1](#) [8N1515-32-24P](#) [9-1326729-8](#) [925474-1](#) [928905-1](#) [964562-4](#) [968782-1](#) [GT17SA-8DS-](#)
[HU](#) [98891-1012](#) [98947-1016](#) [12004147](#) [12004475-L](#) [12010290](#) [12010309-B](#) [12015454](#) [12020219-B](#) [12020308](#) [12041318-B](#) [12052225-L](#)
[12052466](#) [12059125](#) [12064869](#) [12004327-B](#) [12010503-B](#) [12015308](#) [12015384](#) [12015909](#) [1-21030-1](#) [12041254](#) [12041318](#) [12047946-B](#)
[12047957](#) [12047957-L](#) [12059473](#) [12066261](#)