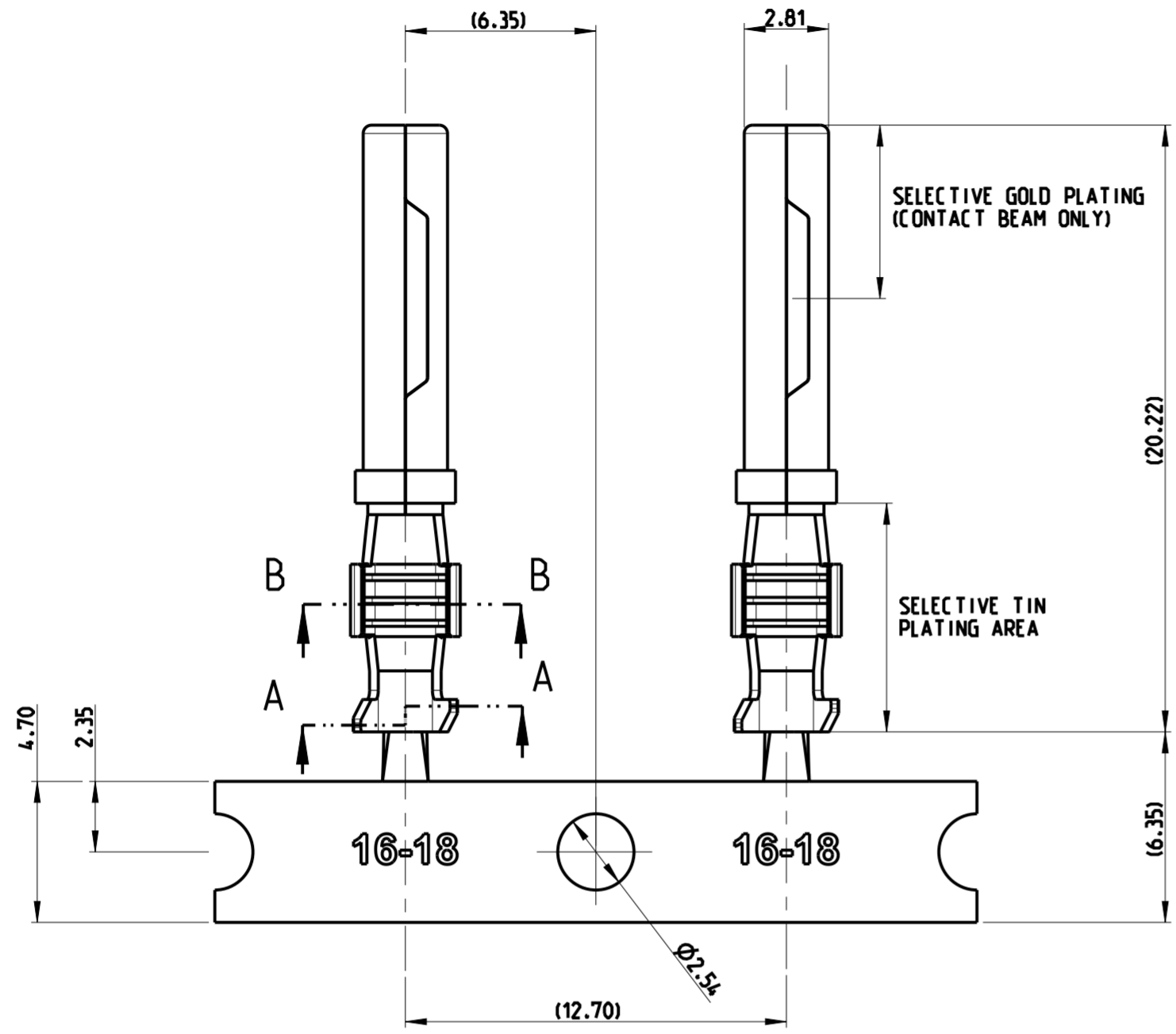


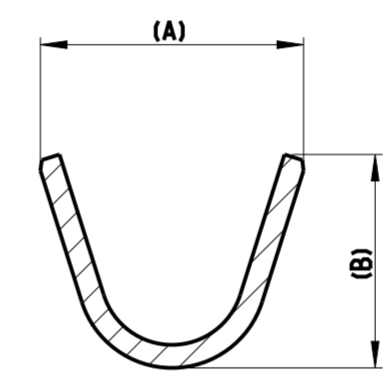
© 2020 TE Connectivity. All Rights Reserved.

REVISIONS				
P	LTR	DESCRIPTION	DATE	APVD
	A	INITIAL RELEASE	05FEB2021	J.G I.Y

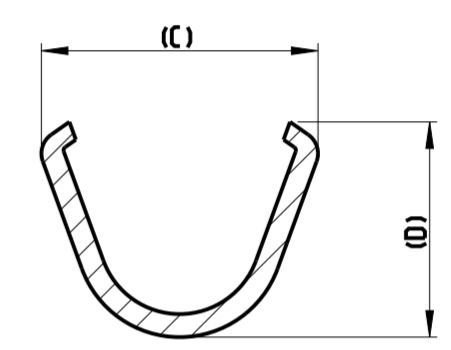


SCALE 5:1
16-18 AWG SIZE SHOWN

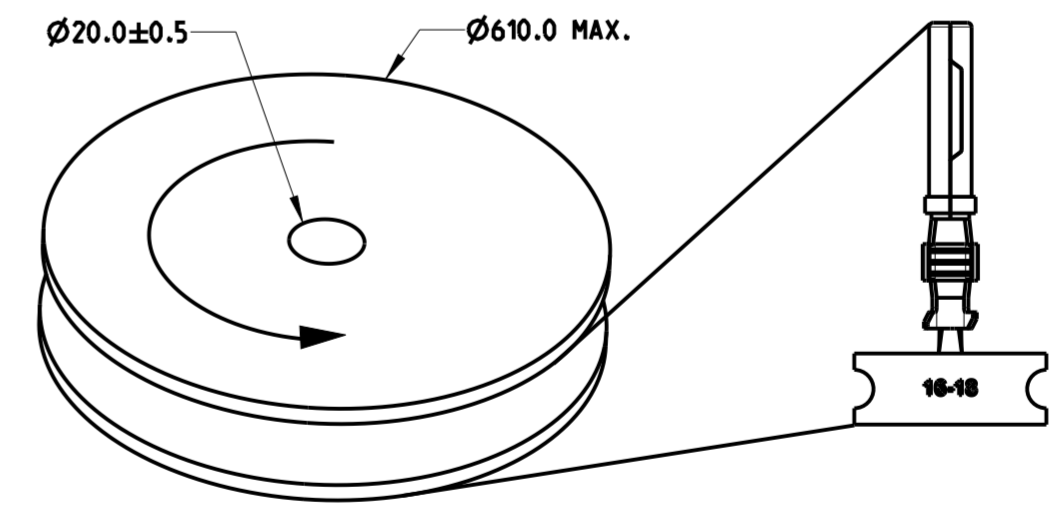
- 1 MATERIAL: COPPER ALLOY 0.300 THICKNESS.
- 2 FINISH: SELECTIVE TIN 0.5µm MINIMUM OVER NICKEL 1.00µm MINIMUM OVERALL.
- 3 FINISH: SELECTIVE HARD GOLD 0.60µm MINIMUM WITH SELECTIVE TIN 0.5µm MINIMUM OVER NICKEL 1.00µm MINIMUM OVERALL.
- 4. STRIP PARTS ARE REELED 3000 PARTS PER REEL.
- 5. TERMINAL FOR USE ON XRC & ML-XT CONNECTOR ASSEMBLIES.



SECTION A-A
SCALE: 10:1
INSULATION CRIMP



SECTION B-B
SCALE: 10:1
CONDUCTOR CRIMP



INSULATION RANGE	WIRE RANGE	STAMP NO.	D	C	B	A	FINISH	MATERIAL	PART NUMBER
0.22mm-0.50mm	20-24 AWG	20-24	2.02	2.25	2.60	2.43	SELECTIVE GOLD 3	COPPER ALLOY 1	5-2600021-5
0.22mm-0.50mm	20-24 AWG	20-24	2.02	2.25	2.60	2.43	NICKEL 2		5-2600021-3
1.40mm-2.54mm	0.5-1.0 mm ²	0.5-1.0	2.90	3.71	2.92	3.40	SELECTIVE GOLD 3		4-2600021-5
1.40mm-2.54mm	0.5-1.0 mm ²	0.5-1.0	2.90	3.71	2.92	3.40	NICKEL 2		4-2600021-3
2.41mm-3.81mm	14-18 AWG	14-18	3.43	4.05	4.60	5.68	SELECTIVE GOLD 3		3-2600021-5
2.41mm-3.81mm	14-18 AWG	14-18	3.43	4.05	4.60	5.68	NICKEL 2		3-2600021-3
1.90mm-3.30mm	14-18 AWG	14-18 TW	3.27	3.95	3.38	4.57	SELECTIVE GOLD 3		2-2600021-5
1.90mm-3.30mm	14-18 AWG	14-18 TW	3.27	3.95	3.38	4.57	NICKEL 2		2-2600021-3
1.40mm-2.16mm	16-18 AWG	16-18	2.85	3.64	2.82	3.48	SELECTIVE GOLD 3		1-2600021-5
1.40mm-2.16mm	16-18 AWG	16-18	2.85	3.64	2.82	3.48	NICKEL 2		1-2600021-3

THIS DRAWING IS A CONTROLLED DOCUMENT.

DWN	J.GU	05FEB2021	 TE Connectivity			
CHK	W.ZHANG	05FEB2021				
APVD	I.YIN	05FEB2021				
NAME	XRC SOCKET W/SNAP WINDOW					
DIMENSIONS:	TOLERANCES UNLESS OTHERWISE SPECIFIED:		SIZE	CAGE CODE	DRAWING NO	RESTRICTED TO
mm	±0.20		A2	00779	C-2600021	
Ø-PLC	±		WEIGHT	CUSTOMER DRAWING		SCALE
1-PLC	±		SCALE 5:1		SHEET 1 OF 1	REV A
2-PLC	±					
3-PLC	±					
4-PLC	±					
ANGLES	±2.0°					
FINISH						

X-ON Electronics

Largest Supplier of Electrical and Electronic Components

Click to view similar products for [Automotive Connectors](#) category:

Click to view products by [TE Connectivity](#) manufacturer:

Other Similar products are found below :

[003-018-000](#) [60403001](#) [60993906-B](#) [M902-2131](#) [M902-2161](#) [72.330.1035.1](#) [73.353.4028.0](#) [F119300-B](#) [F166900](#) [F258300-B](#) [F358300-B](#)
[F407400](#) [F444110](#) [F487000](#) [F509500B-B](#) [827153-1](#) [8N1515-32-24P](#) [9-1326729-8](#) [925474-1](#) [928905-1](#) [964562-4](#) [968782-1](#) [GT17SA-8DS-](#)
[HU](#) [98891-1012](#) [98947-1016](#) [12004147](#) [12004475-L](#) [12010290](#) [12010309-B](#) [12015454](#) [12020219-B](#) [12020308](#) [12041318-B](#) [12052225-L](#)
[12052466](#) [12059125](#) [12064869](#) [12004327-B](#) [12010503-B](#) [12015308](#) [12015384](#) [12015909](#) [1-21030-1](#) [12041254](#) [12041318](#) [12047946-B](#)
[12047957](#) [12047957-L](#) [12059473](#) [12066261](#)