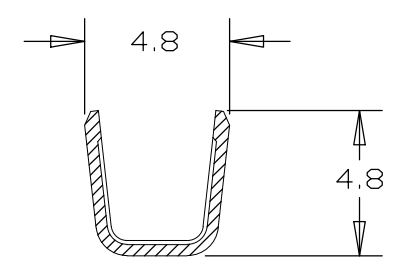
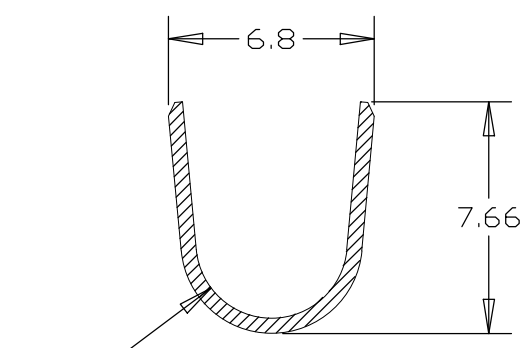


THIS DRAWING IS UNPUBLISHED. RELEASED FOR PUBLICATION .19
 © COPYRIGHT 19 BY AMP INCORPORATED. ALL RIGHTS RESERVED.

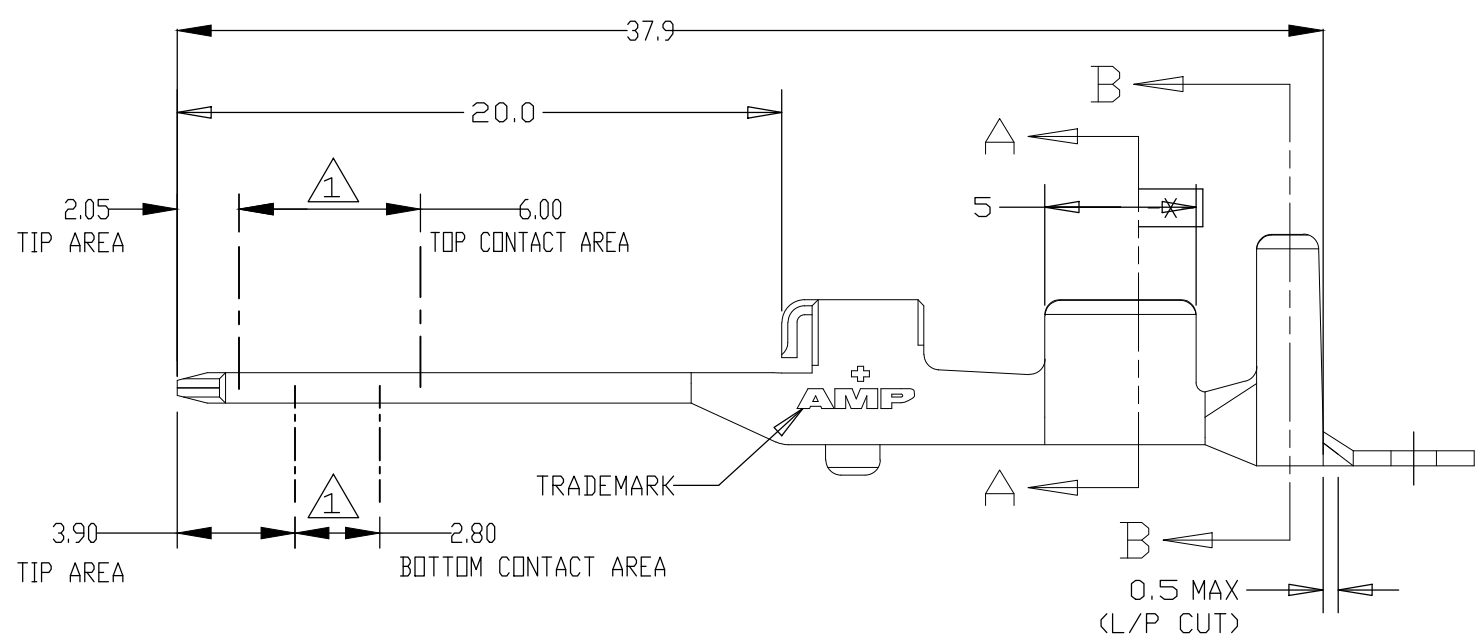
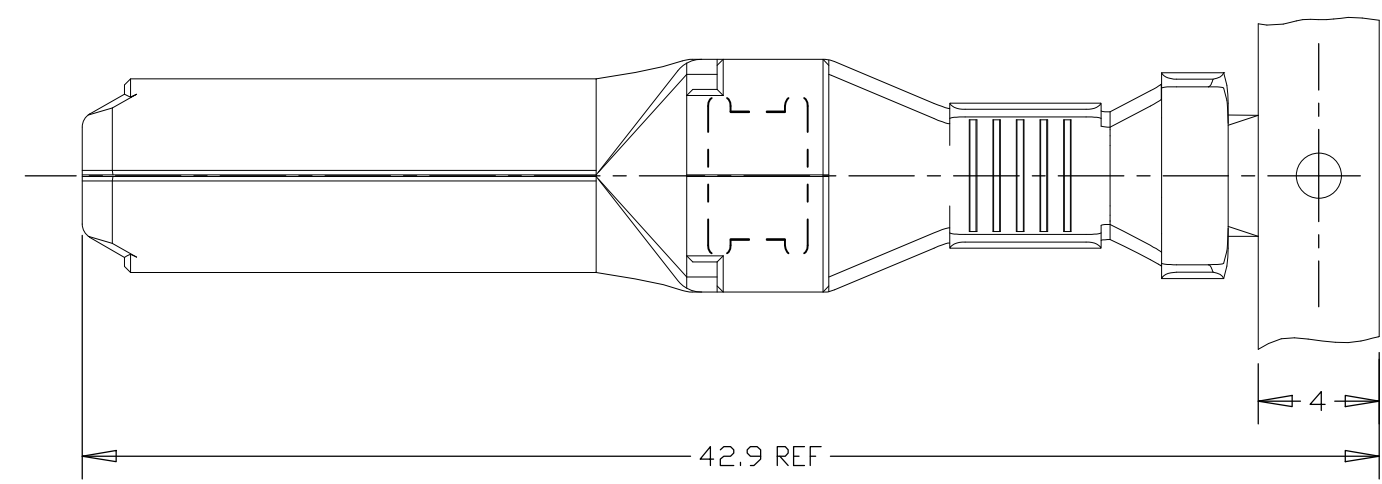
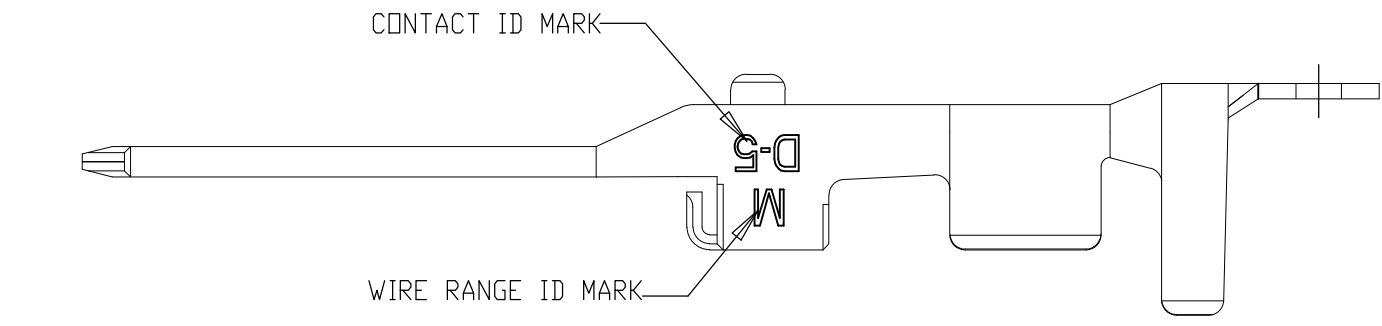
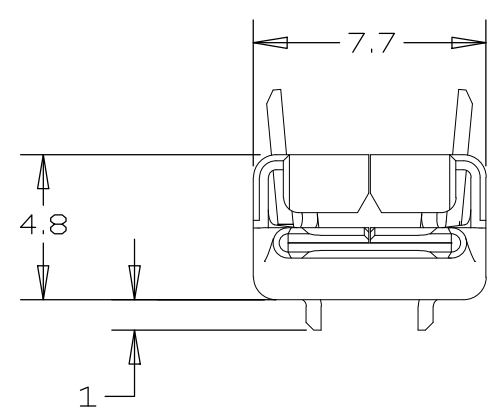
LOC	DIST	REVISIONS			
P	LTR	DESCRIPTION	DATE	DWN	APVD
ES	00				
		C	REVISED PER ECR-19-014502	17SEP2019	T.S E.I



SECTION A-A



SECTION B-B



\triangle 1	84695-1
FINISH	PART NO.

WIRE RANGE	INSULATION DIA
3.08/5.5mm ² AWG #12/#10	4/5.2mm ϕ

NOTES:
 \triangle 1 FINISH : 0.2 μ m MIN GOLD (CONTACT AREA) PLATING OVER NI UNDER PLATING ALL OVER EXCEPT INSIDE OF CONTACT BOX
 GOLD PLATING THK DID NOT CONTROL AT CONTACT TIP AREA
 2. TOLERANCES UNLESS OTHERWISE SPECIFIED
 * ≤ 10 : ± 0.3
 10 < * ≤ 30 : ± 0.35
 30 < * ≤ 100 : ± 0.4
 ANGLE: $\pm 3^\circ$

THIS DRAWING IS A CONTROLLED DOCUMENT FOR AMP INCORPORATED. IT IS SUBJECT TO CHANGE AND THE CONTROLLING ENGINEERING ORGANIZATION SHOULD BE CONTACTED FOR THE LATEST REVISION.		DWN	WY LEE	3JAN'00	TE Connectivity	TAB CONTACT "M" SIZE <DYNAMIC D-5000 SERIES>	
DIMENSIONS: mm		CHK	LP TAN	3JAN'00			
TOLERANCES UNLESS OTHERWISE SPECIFIED:		APVD	WL CHOO	31MAY'01			
0 PLC \pm 1 PLC ± 0.30 2 PLC ± 0.35 3 PLC ± 0.40 4 PLC \pm ANGLES $\pm 3^\circ$		PRODUCT SPEC					
MATERIAL		APPLICATION SPEC		114-5206	SIZE	CAGE CODE	DRAWING NO
COPPER ALLOY		FINISH		SEE TABLE	A3	00779	C-84695
CUSTOMER DRAWING				WEIGHT	2.08g	SCALE	4:1
				SHEET		1	OF 1
				REV		C	

X-ON Electronics

Largest Supplier of Electrical and Electronic Components

Click to view similar products for [Headers & Wire Housings](#) category:

Click to view products by [TE Connectivity](#) manufacturer:

Other Similar products are found below :

[892-18-020-10-001101](#) [58102-G61-06LF](#) [582553-1](#) [0009485154](#) [009176003701906](#) [0050291907](#) [LY20-4P-DT1-P1E-BR](#) [02.125.8002.8](#)
[609-3404](#) [61062-3](#) [61082-181009](#) [622-3653LF](#) [63453-116](#) [636-1030](#) [636-1427](#) [636-3427](#) [636-4007](#) [641938-9](#) [641991-4](#) [644827-2](#) [65817-010LF](#) [65817-015LF](#) [65863-015LF](#) [66207-023LF](#) [67095-007LF](#) [67601157](#) [68645-018](#) [68648-049](#) [70.362.1628.0](#) [70-4210](#) [70-4226B](#) [70-4853B](#) [707-5020](#) [707-5028](#) [71.350.2428.0](#) [71918-208LF](#) [71961-016LF](#) [733-134](#) [733-162](#) [754199-000](#) [760-3052](#) [787-8014-00](#) [79531-3000](#)
[FCN-360C032-B](#) [FCN-367T-T012/H](#) [FCN-723D010/2](#) [80.063.4001.1](#) [800-90-001-10-001000](#) [800-90-010-10-002000](#) [801-43-002-10-013000](#)