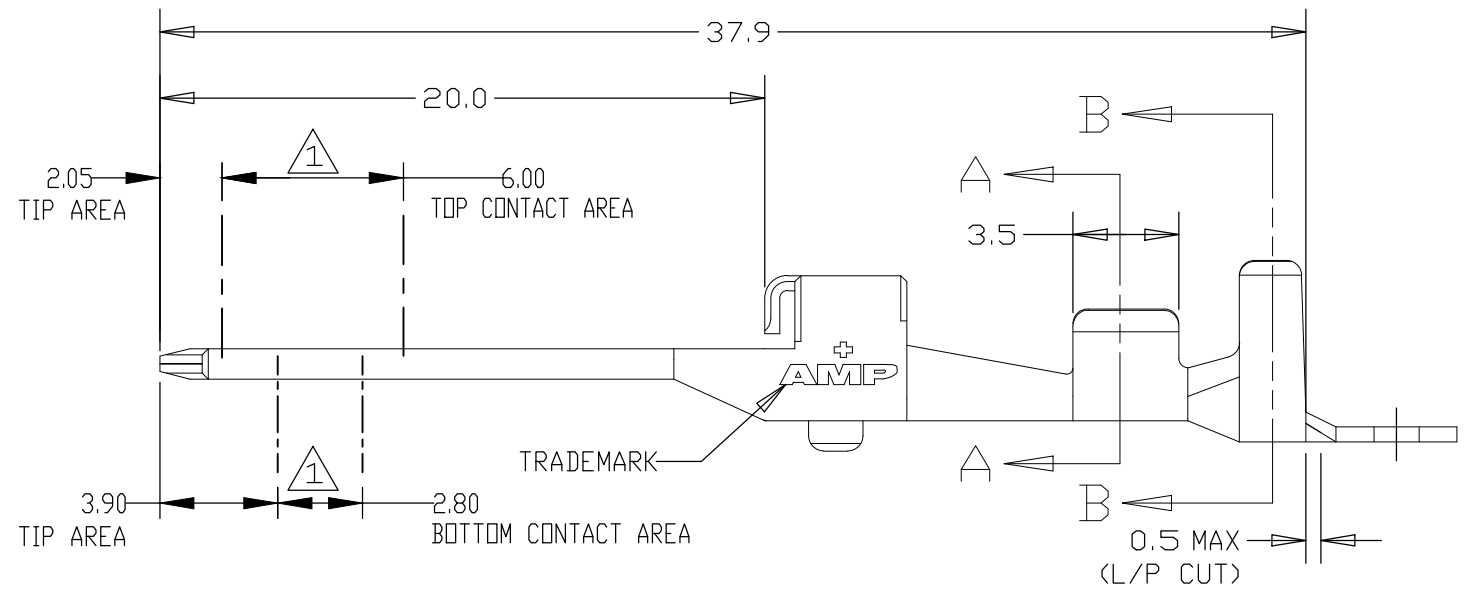
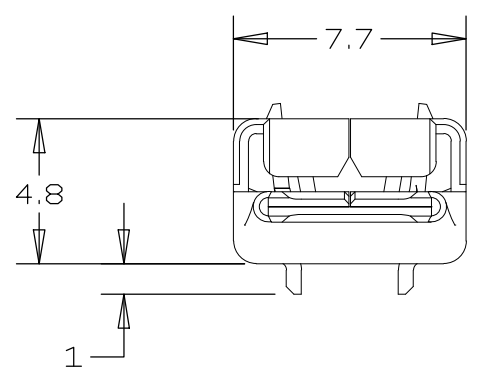
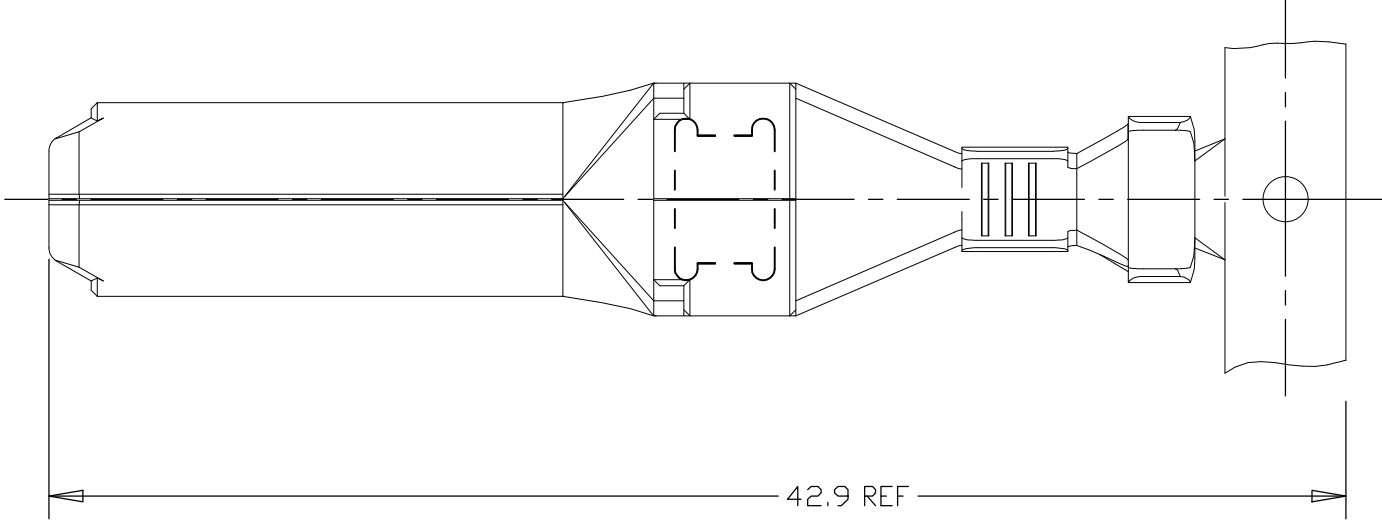
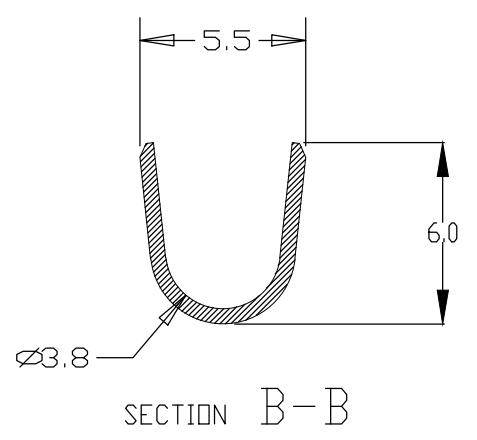
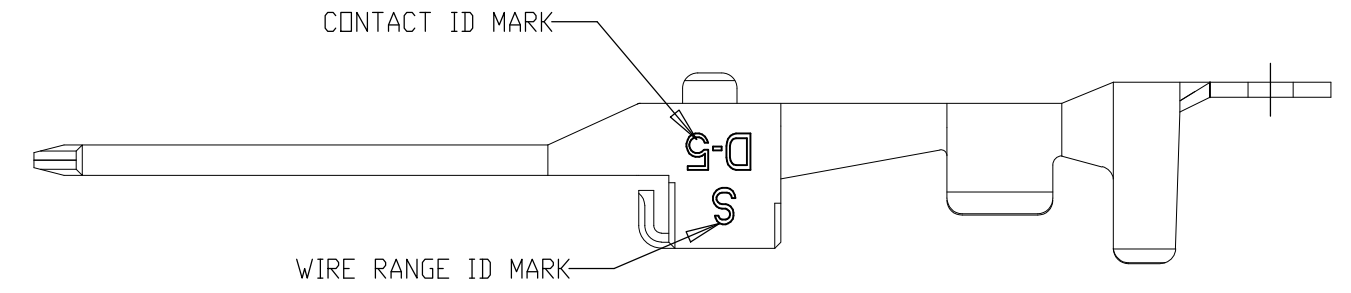
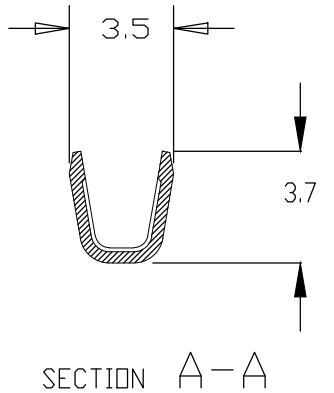


THIS DRAWING IS UNPUBLISHED. RELEASED FOR PUBLICATION .19
 © COPYRIGHT 19 BY AMP INCORPORATED. ALL RIGHTS RESERVED.

LOC	DIST	REVISIONS			
P	LTR	DESCRIPTION	DATE	DWN	APVD
ES	00				
		C REVISED PER ECR-19-014502	17SEP2019	T.S	E.I



\triangle	84696-1
FINISH	PART NO.

WIRE RANGE	INSULATION DIA
1.23/2.27mm ² AWG #16/#14	3/3.8mm ϕ

NOTES:
 \triangle FINISH : 0.2 μ m MIN GOLD PLATING (CONTACT AREA) OVER Ni UNDER PLATING ALL OVER EXCEPT INSIDE OF CONTACT BOX GOLD PLATING THK DID NOT CONTROL AT CONTACT TIP AREA
 2. TOLERANCE UNLESS OTHERWISE SPECIFIED
 * ≤ 10 : ± 0.3
 10 < * ≤ 30 : ± 0.35
 30 < * ≤ 100 : ± 0.4
 ANGLE: $\pm 3^\circ$

THIS DRAWING IS A CONTROLLED DOCUMENT FOR AMP INCORPORATED. IT IS SUBJECT TO CHANGE AND THE CONTROLLING ENGINEERING ORGANIZATION SHOULD BE CONTACTED FOR THE LATEST REVISION.		DWN	WY LEE	3JAN'00												
DIMENSIONS: mm		CHK	LP TAN	3JAN'00												
TOLERANCES UNLESS OTHERWISE SPECIFIED:		APVD	WL CHOO	31MAY'01												
<table border="0"> <tr><td>0 PLC</td><td>\pm</td></tr> <tr><td>1 PLC</td><td>± 0.30</td></tr> <tr><td>2 PLC</td><td>± 0.35</td></tr> <tr><td>3 PLC</td><td>± 0.40</td></tr> <tr><td>4 PLC</td><td>\pm</td></tr> <tr><td>ANGLES</td><td>$\pm 3^\circ$</td></tr> </table>		0 PLC	\pm	1 PLC	± 0.30	2 PLC	± 0.35	3 PLC	± 0.40	4 PLC	\pm	ANGLES	$\pm 3^\circ$	PRODUCT SPEC	NAME	
0 PLC	\pm															
1 PLC	± 0.30															
2 PLC	± 0.35															
3 PLC	± 0.40															
4 PLC	\pm															
ANGLES	$\pm 3^\circ$															
MATERIAL (COPPER ALLOY)		APPLICATION SPEC	TAB CONTACT "S" SIZE <DYNAMIC D-5000 SERIES>													
FINISH SEE TABLE		114-5206	SIZE	A3												
		WEIGHT	CAGE CODE	00779												
		CUSTOMER DRAWING	DRAWING NO	C-84696												
			SCALE	4:1												
			SHEET	1 OF 1												
			REV	C												



X-ON Electronics

Largest Supplier of Electrical and Electronic Components

Click to view similar products for [Headers & Wire Housings](#) category:

Click to view products by [TE Connectivity](#) manufacturer:

Other Similar products are found below :

[892-18-020-10-001101](#) [58102-G61-06LF](#) [582553-1](#) [0009485154](#) [009176003701906](#) [0050291907](#) [LY20-4P-DT1-P1E-BR](#) [02.125.8002.8](#)
[609-3404](#) [61062-3](#) [61082-181009](#) [622-3653LF](#) [63453-116](#) [636-1030](#) [636-1427](#) [636-3427](#) [636-4007](#) [641938-9](#) [641991-4](#) [644827-2](#) [65817-](#)
[010LF](#) [65817-015LF](#) [65863-015LF](#) [66207-023LF](#) [67095-007LF](#) [67601157](#) [68645-018](#) [68648-049](#) [70.362.1628.0](#) [70-4210](#) [70-4226B](#) [70-](#)
[4853B](#) [707-5020](#) [707-5028](#) [71.350.2428.0](#) [71918-208LF](#) [71961-016LF](#) [733-134](#) [733-162](#) [754199-000](#) [760-3052](#) [787-8014-00](#) [79531-3000](#)
[FCN-360C032-B](#) [FCN-367T-T012/H](#) [FCN-723D010/2](#) [80.063.4001.1](#) [800-90-001-10-001000](#) [800-90-010-10-002000](#) [801-43-002-10-013000](#)