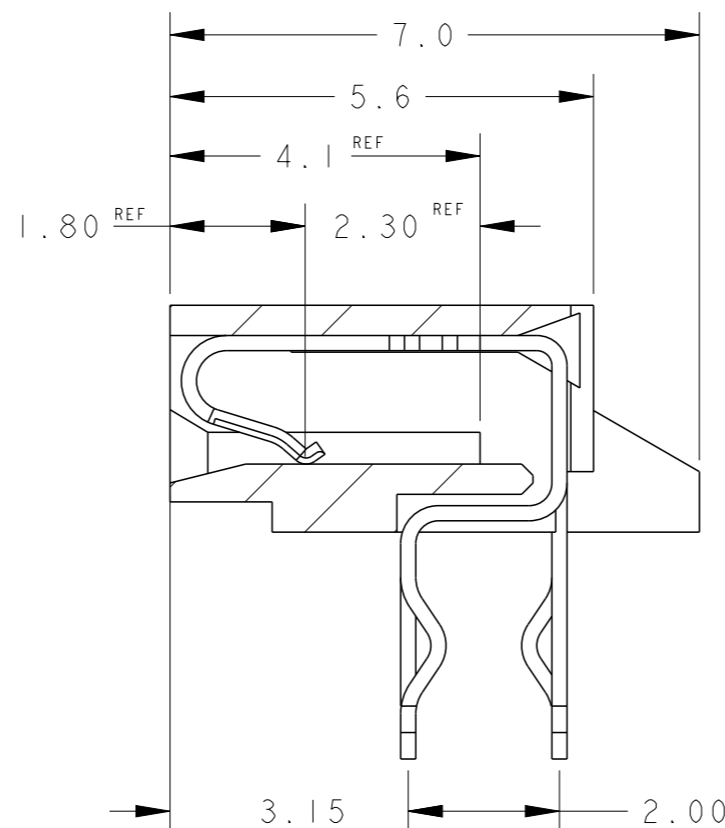
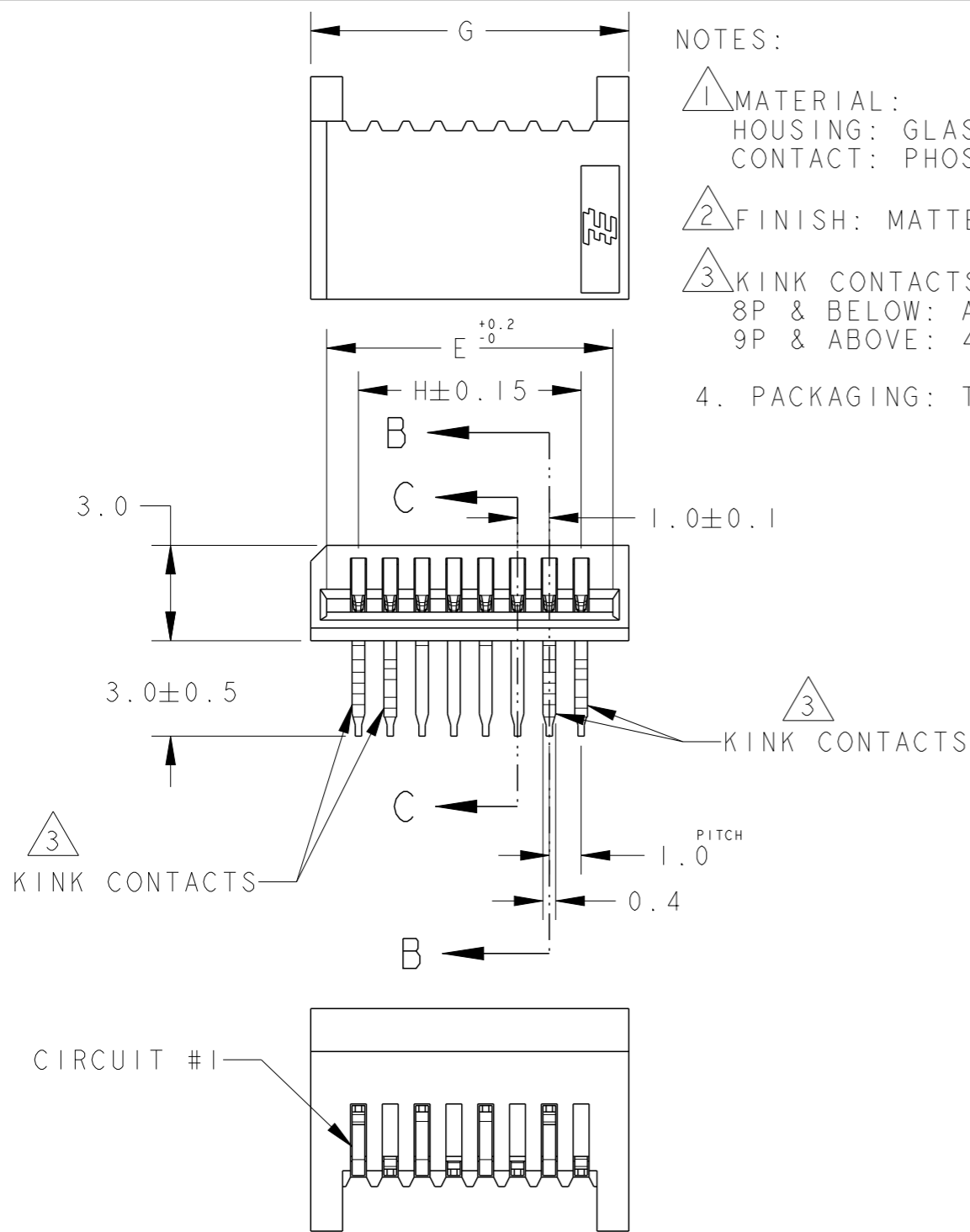


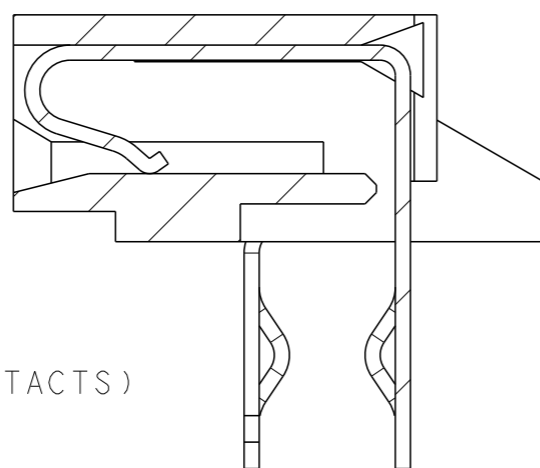
P	LTR	DESCRIPTION	DATE	DWN	APVD
G		REVISED ECR-18-007198	9MAY18	HX	WH

NOTES:


- 1 MATERIAL:
HOUSING: GLASS FILLED PBT, NATURAL COLOR (WHITE)
CONTACT: PHOSPHOR BRONZE
- 2 FINISH: MATTE TIN OVER NICKEL UNDERPLATE
- 3 KINK CONTACTS LOCATION:
8P & BELOW: ALL POSITIONS
9P & ABOVE: 4 CONTACTS (2 PAIRS) EACH END
- 4. PACKAGING: TUBE



SECTION C-C (FOR ODD POSITION CONTACTS) SCALE 10:1



29.00	32.00	31.00	31.00	30	3-84983-0
28.00	31.00	30.00	30.00	29	2- \uparrow -9
27.00	30.00	29.00	29.00	28	2--8
26.00	29.00	28.00	28.00	27	2--7
25.00	28.00	27.00	27.00	26	2--6
24.00	27.00	26.00	26.00	25	2--5
23.00	26.00	25.00	25.00	24	2--4
22.00	25.00	24.00	24.00	23	2--3
21.00	24.00	23.00	23.00	22	2--2
20.00	23.00	22.00	22.00	21	2--1
19.00	22.00	21.00	21.00	20	2-84983-0
18.00	21.00	20.00	20.00	19	1- \uparrow -9
17.00	20.00	19.00	19.00	18	1--8
16.00	19.00	18.00	18.00	17	1--7
15.00	18.00	17.00	17.00	16	1--6
14.00	17.00	16.00	16.00	15	1--5
13.00	16.00	15.00	15.00	14	1--4
12.00	15.00	14.00	14.00	13	1--3
11.00	14.00	13.00	13.00	12	1--2
10.00	13.00	12.00	12.00	11	1--1
9.00	12.00	11.00	11.00	10	1-84983-0
8.00	11.00	10.00	10.00	9	\uparrow -9
7.00	10.00	9.00	9.00	8	-8
6.00	9.00	8.00	8.00	7	-7
5.00	8.00	7.00	7.00	6	-6
4.00	7.00	6.00	6.00	5	-5
3.00	6.00	5.00	5.00	4	84983-4
H	G	F	E	POS.	PART NO.

THIS DRAWING IS A CONTROLLED DOCUMENT.		DWN WYLEE 15JUN04	 TE Connectivity		
DIMENSIONS: mm		CHK LP TAN			
TOLERANCES UNLESS OTHERWISE SPECIFIED:		APVD SF LEONG	NAME ASSY, 1.00mm FFC CONN DIP, H		
0 PLC ± 0.30		PRODUCT SPEC 108-51058	SIZE A300779 C-84983		
1 PLC ± 0.30		APPLICATION SPEC -	CAGE CODE		
2 PLC ± 0.30		WEIGHT -	DRAWING NO		
3 PLC \pm		CUSTOMER DRAWING	RESTRICTED TO		
4 PLC \pm			SCALE 5:1 SHEET 1 OF 2 REV G		
ANGLES $\pm 3^\circ$					
FINISH					
MATERIAL 1					
2					

THIS DRAWING IS UNPUBLISHED.

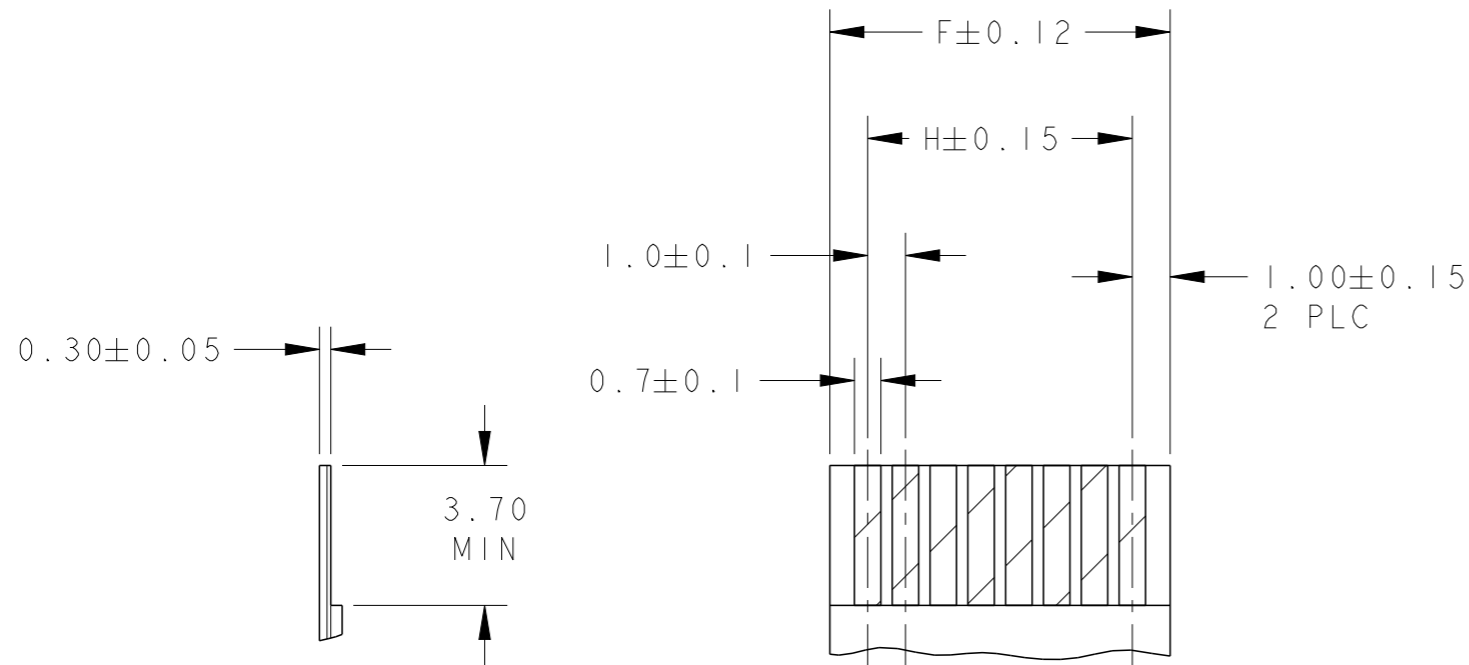
RELEASED FOR PUBLICATION

20

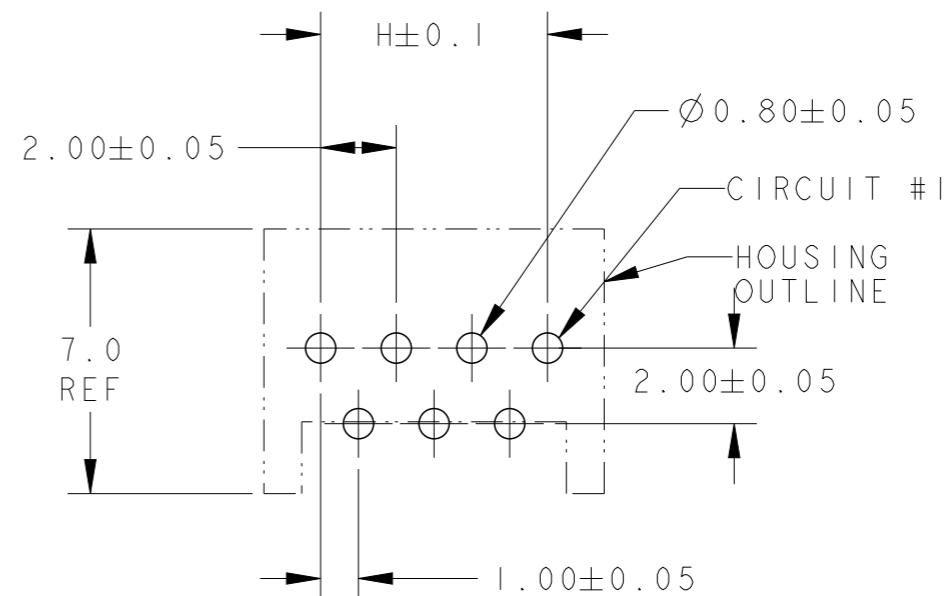
REVISIONS

© COPYRIGHT 20 BY - ALL RIGHTS RESERVED.

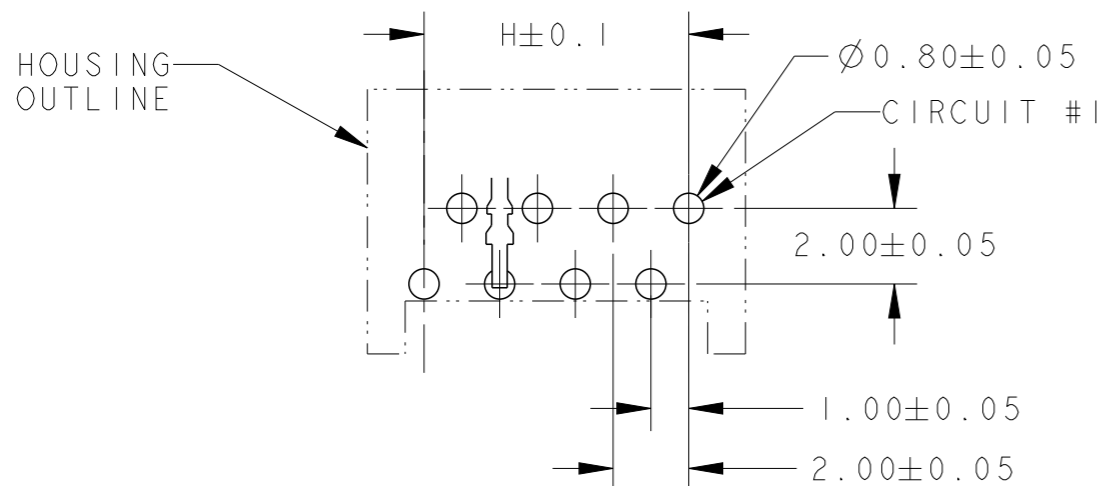
P	LTR	DESCRIPTION	DATE	DWN	APVD
		SEE SHEET 1			




RECOMMENDED FFC/FPC



RECOMMENDED PCB LAYOUT (THK= 1.6±0.1) (FOR ODD POSITION CONNECTORS) NON-ACCUMULATIVE TOLERANCE



RECOMMENDED PCB LAYOUT (THK= 1.6±0.1) (FOR EVEN POSITION CONNECTORS) NON-ACCUMULATIVE TOLERANCE

THIS DRAWING IS A CONTROLLED DOCUMENT.		DWN WYLEE 15JUN04	 TE Connectivity		
DIMENSIONS: mm		CHK LP TAN			
TOLERANCES UNLESS OTHERWISE SPECIFIED:		APVD SF LEONG	NAME ASSY, 1.00mm FFC CONN DIP, H		
0 PLC ±0.30 1 PLC ±0.30 2 PLC ±0.30 3 PLC ± 4 PLC ± ANGLES ±3°		PRODUCT SPEC -	SIZE A300779	CAGE CODE C-84983	RESTRICTED TO -
MATERIAL 1		FINISH 2	APPLICATION SPEC -		WEIGHT -
CUSTOMER DRAWING			SCALE 5:1	SHEET 2 OF 2	REV G

X-ON Electronics

Largest Supplier of Electrical and Electronic Components

Click to view similar products for [FFC & FPC Connectors](#) category:

Click to view products by [TE Connectivity](#) manufacturer:

Other Similar products are found below :

[FPH-1422G](#) [FPH-1602G](#) [K-FC20](#) [FH29B-80S-0.2SHW\(99\)](#) [FPH-2022G](#) [AYF332735](#) [52610-1075](#) [52610-1275](#) [52610-1934](#) [501864-3091-TR225](#) [086222026001800](#) [52610-0675](#) [62684-36210E9ALF](#) [52746-1671-TR250](#) [10051922-2810EHLF](#) [6-520415-9](#) [SFV6R-1STE9HLF](#) [XF3M-2915-1B-R100](#) [1658549-1](#) [AYF534065TA](#) [AYF351525](#) [086212040340800+](#) [AYF530365TA](#) [67000-014LF](#) [67000-004LF](#) [006207341915000+](#) [DS1020-19RT1D](#) [67000-003LF](#) [67000-011LF](#) [67000-016LF](#) [HFW14R-2STE9LF](#) [SFV32R-2STBE9HLF](#) [SFW12R-5STE9LF](#) [SFW18R-1STAE9LF](#) [SFW4R-5STE9LF](#) [52807-0430](#) [046283021002868+](#) [THD1015-8CL-SN](#) [67000-006LF](#) [502250-8027](#) [104267-9617](#) [66987-011LF](#) [AYF362535](#) [F0501-T-50-20T-R](#) [F1003-ZV-12-25T-R](#) [HFW8S-2STAE1HLF](#) [67000-008LF](#) [67000-012LF](#) [F1002-B-20-20T-R](#) [HFW15S-2STAE1HLF](#)