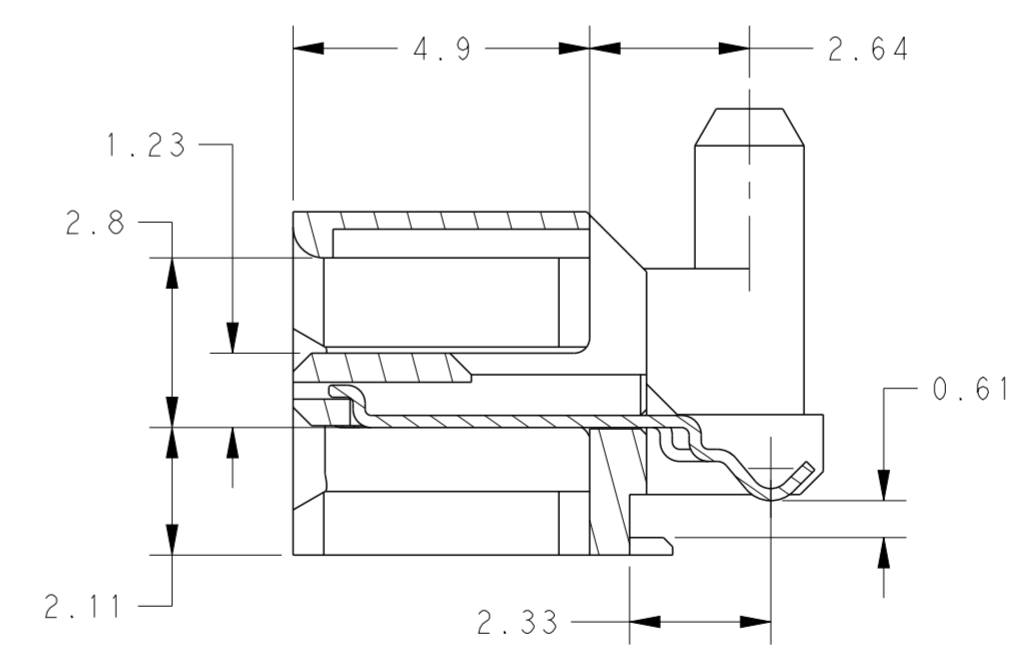
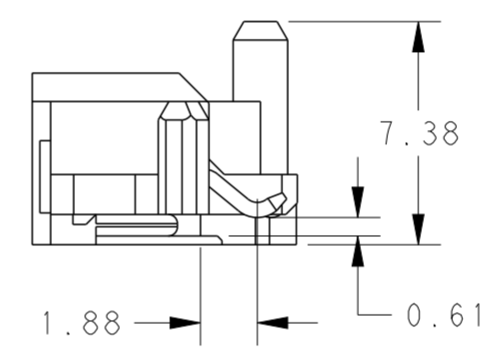
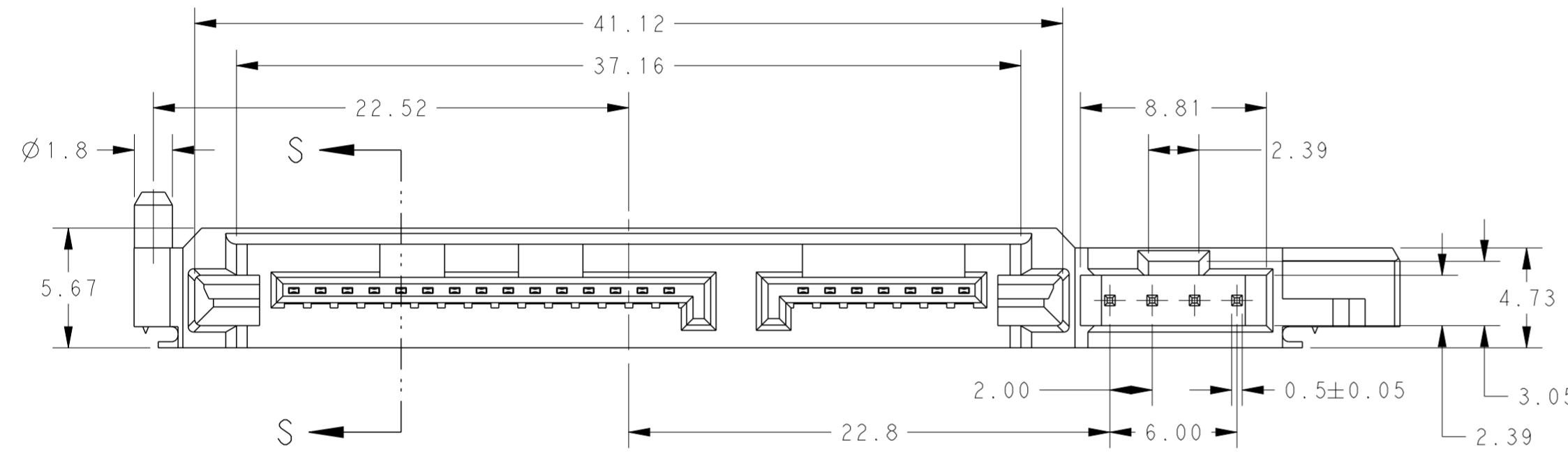
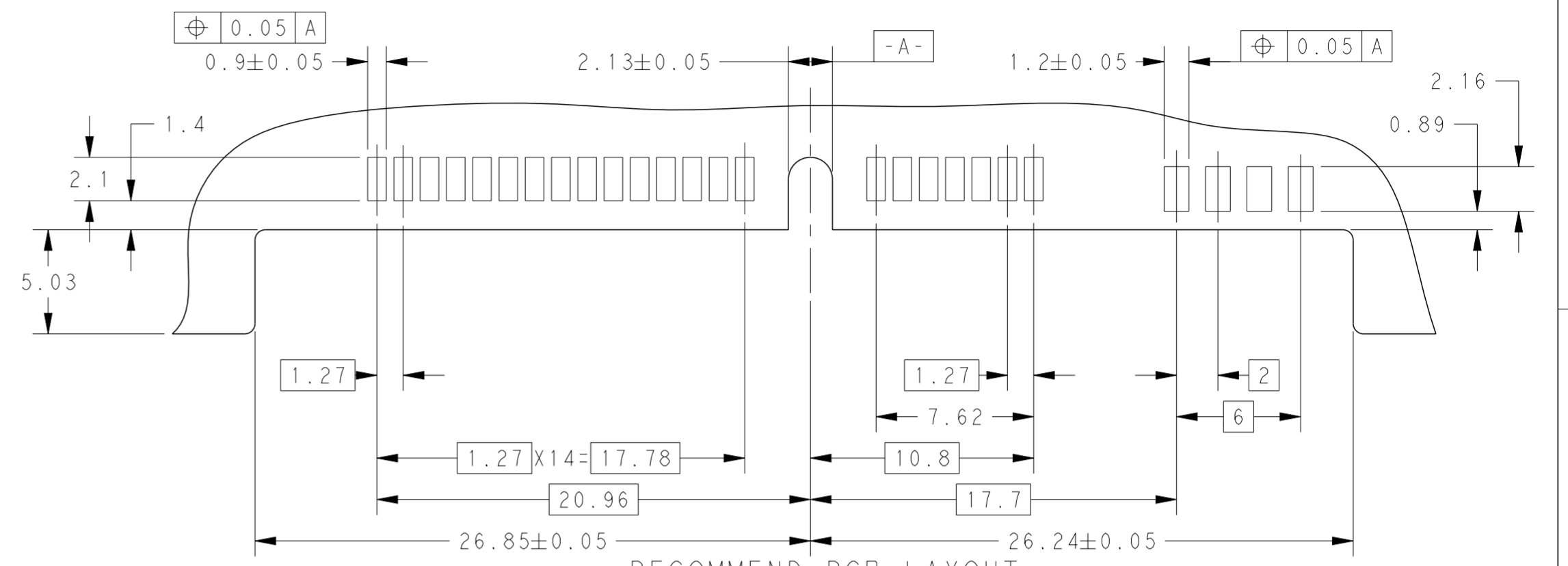
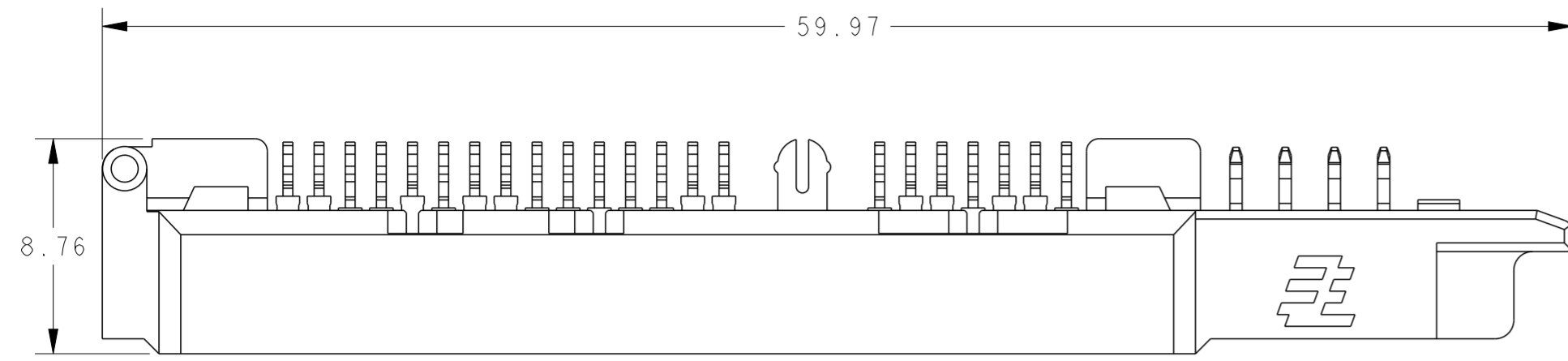
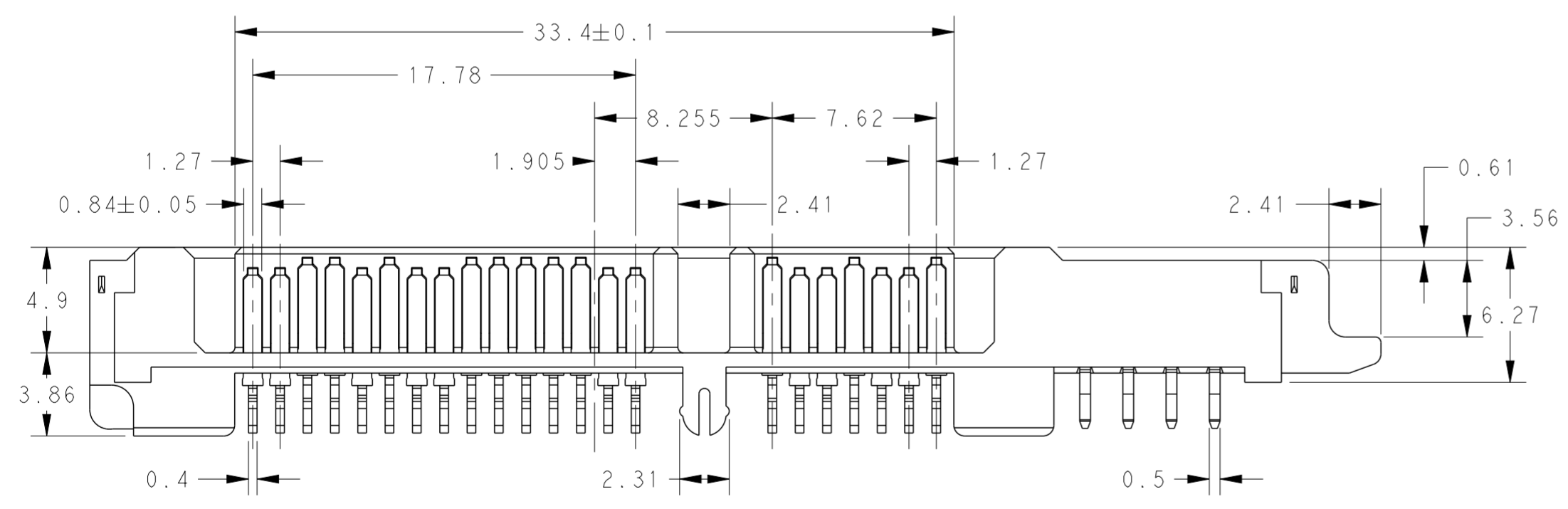


THIS DRAWING IS UNPUBLISHED. RELEASED FOR PUBLICATION 20  
 © COPYRIGHT 20 BY - ALL RIGHTS RESERVED.

REVISIONS					
P	LTR	DESCRIPTION	DATE	DWN	APVD
G1		RELEASED	06FEB2014	W.C	V.P



SECTION S-S  
SCALE 8:1



- NOTES:
- MATERIAL:  
 HOUSING: HIGH TEMPERATURE THERMOPLASTIC GLASS FILLED, UL94V-0, BLACK  
 CONTACT: COPPER ALLOY  
 SQ CONTACT: COPPER ALLPY
  - FINISH:  
 CONTACT:  
 0.00038mm MIN. AU PLATING ON CONTACT AREA  
 0.00191mm MIN. TIN PLATING ON SOLDERING AREA  
 0.00127mm MIN. NICKEL UNDERPLATING ALL OVER.  
 SQ CONTACT:  
 0.00012mm MIN. AU PLATING ON CONTACT AREA  
 0.00191mm MIN. TIN PLATING ON SOLDERING AREA  
 0.00127mm MIN. NICKEL UNDERPLATING ALL OVER.

THIS DRAWING IS A CONTROLLED DOCUMENT.		DWN W. CHEN 06FEB2014	TE Connectivity	
DIMENSIONS: mm		CHK V. PENG 06FEB2014		
TOLERANCES UNLESS OTHERWISE SPECIFIED:		APVD V. PENG 06FEB2014	NAME CONNECTOR, 2.5", SATA PLUG 15+7+4P	
0 PLC ±0.25		PRODUCT SPEC	SIZE A2	
1 PLC ±0.25		APPLICATION SPEC	CAGE CODE -	
2 PLC ±0.25		WEIGHT	DRAWING NO C-84998	
3 PLC ±0.25		CUSTOMER DRAWING	RESTRICTED TO	
4 PLC ±0.25		SCALE 4:1	SHEET 1 OF 1	
ANGLES ±5			REV G1	
FINISH				

## X-ON Electronics

Largest Supplier of Electrical and Electronic Components

*Click to view similar products for [I/O Connectors](#) category:*

*Click to view products by [TE Connectivity](#) manufacturer:*

Other Similar products are found below :

[571763P](#) [58098-0628](#) [61-168618-12P](#) [D38999/20FJ24PA L/C](#) [D38999/20FJ29SB L/C](#) [D38999/24FG11SN L/C](#) [72.250.1628.2](#) [72.250.2428.2](#)  
[74720-0505](#) [76.350.0729.0](#) [76871-1403](#) [FCN-244F080-G/1](#) [FCN-260A9920](#) [FCN-268D024-G/2F#10X-R10](#) [MP-5T180MUNNA-005](#) [MP-5XRJ45UNNB-003](#) [PCS-E50FA](#) [PCS-XE26LKA](#) [PCS-XE26MA+](#) [PCS-XES68MS+](#) [G38A71314B](#) [91-569719-35R](#) [9776-18-6](#) [DX40-50P\(55\)](#) [1571250010](#) [157-22500-3](#) [MS3476W12-10S L/C](#) [1888020-8](#) [91-569786-35H](#) [91-569786-35M](#) [91-644626-35P](#) [172501-4002](#)  
[172501-6002](#) [FCN-260C008-A/L0](#) [FCN-260C024-AL0](#) [FCN-261Z008](#) [FCN-268D008-G/1K](#) [2000314-1](#) [200331-1](#) [2007498-2](#) [PCR-E28LMDAG1+](#) [PCR-E36FC+](#) [PCS-E28FS+](#) [PCS-XE26SLFD+](#) [PCS-XE26SLFDT+](#) [G38A71214B](#) [HDRA-E68W1LFDTC-SL+](#) [HDR-E14MSG1+](#) [R88A-CNK81S](#) [CRT1-ATT02](#)