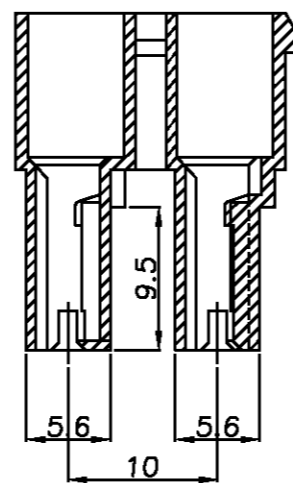
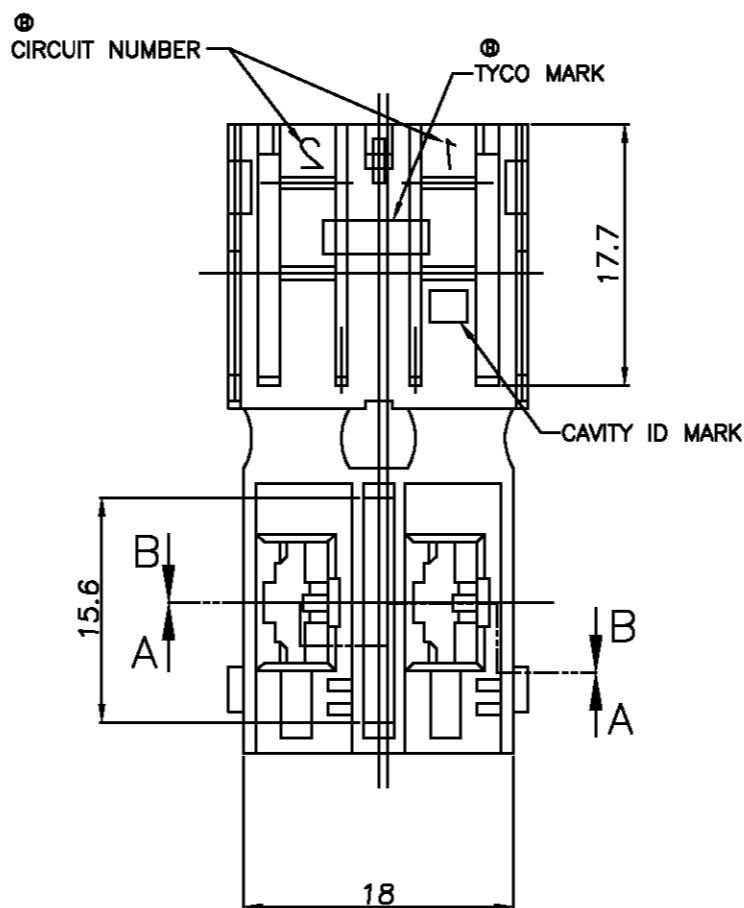
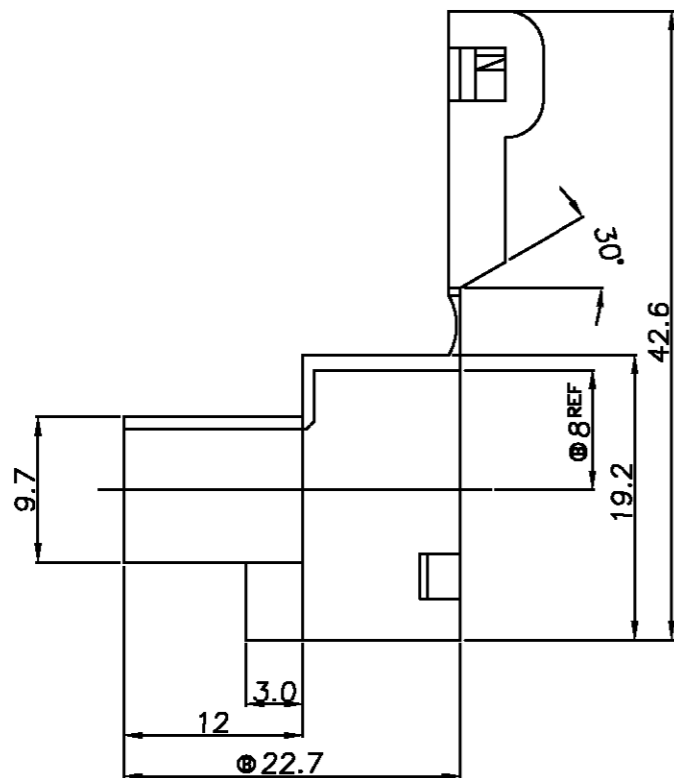


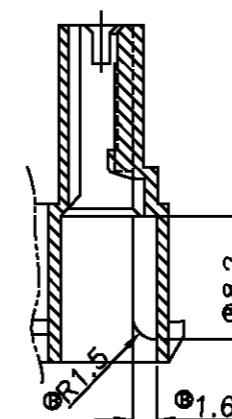
THIS DRAWING IS UNPUBLISHED. RELEASED FOR PUBLICATION

© COPYRIGHT BY TYCO ELECTRONICS CORPORATION. ALL RIGHTS RESERVED.

LOC	DIST	REVISIONS					
		P	LTR	DESCRIPTION	DATE	DWN	APVD
DS			O	RELEASED	JAN/27/94	EH	CS
			A	REVISED(FC00-0038-02)	FEB/26/02	BW	CS
			B	REVISED(FC00-0131-03)	SEP/05/'03	BH	CS



SECT. A-A



SECT. B-B

NOTE:

1. APPLICABLE CONTACT P/N
936603-1, 936604-1, 936605-1
2. PRODUCT SPEC. ; 108-5162
3. INSTRUCTION SHEET ; IS-212J.

GREEN	85091-4
YELLOW	85091-3
BLUE	85091-2
NATURAL	85091-1
COLOR	P/N

THIS DRAWING IS A CONTROLLED DOCUMENT FOR TYCO ELECTRONICS CORPORATION. IT IS SUBJECT TO CHANGE AND THE CONTROLLING ENGINEERING ORGANIZATION SHOULD BE CONTACTED FOR THE LATEST REVISION.

DWN : BH CHO				AMP KOREA. kyungsan, korea	
CHK : BW KANG				NAME "250" SER.FLAG POSITIVE LOCK HSG FOR LAYOUT	
APVD : CS LEE		PRODUCT SPEC		SIZE	
APPLICATION SPEC		APPLICATION SPEC		CAGE CODE	
WEIGHT		DRAWING NO		RESTRICTED TO	
DIMENSIONS: MM		TOLERANCES UNLESS OTHERWISE SPECIFIED:		A3 00779C= 85091	
 3rd ANGLE PROJECTION		0 <XX<10 ± 0.2 10 <XX<30 ± 0.25 30 <XX ± 0.3 ANGLES ± 3°		SCALE 2/1 SHEET 1 OF 1 REV B	
MATERIAL 6/6 NYLON		FINISH			

X-ON Electronics

Largest Supplier of Electrical and Electronic Components

Click to view similar products for [Headers & Wire Housings](#) category:

Click to view products by [TE Connectivity](#) manufacturer:

Other Similar products are found below :

[95000-104TRLF](#) [10135584-644402LF](#) [DF62W-EP2022PCA](#) [95000-106TRLF](#) [DF62W-2022SCA](#) [DF62W-EP2022PC](#) [2203348](#) [DF62W-2022SC](#) [1084018](#) [1029039](#) [1084017](#) [802-10-012-10-002000](#) [1112640](#) [1112639](#) [891-007-9SS-BST1T](#) [000-34000](#) [0008550134](#) [0009482033](#) [0009507031](#) [57102-F02-18ULF](#) [57102-S06-03LF](#) [57202-S52-04LF](#) [PCN6-15S-2.5E](#) [0039019024](#) [58102-G61-06LF](#) [582553-1](#) [0009485154](#) [0009508121](#) [0022285053](#) [0050291907](#) [018731A](#) [LY20-4P-DT1-P1E-BR](#) [02.125.8002.8](#) [60101931](#) [60598-1 \(Cut Strip\)](#) [M1625-3R/100](#) [61062-3](#) [61082-181009](#) [CSU011177004](#) [636-1427](#) [638009-1](#) [641938-9](#) [641991-4](#) [644168-1](#) [644827-2](#) [647662-1](#) [65039-019ELF](#) [65692-001LF](#) [65781-018](#) [65781-047](#)