

4

3

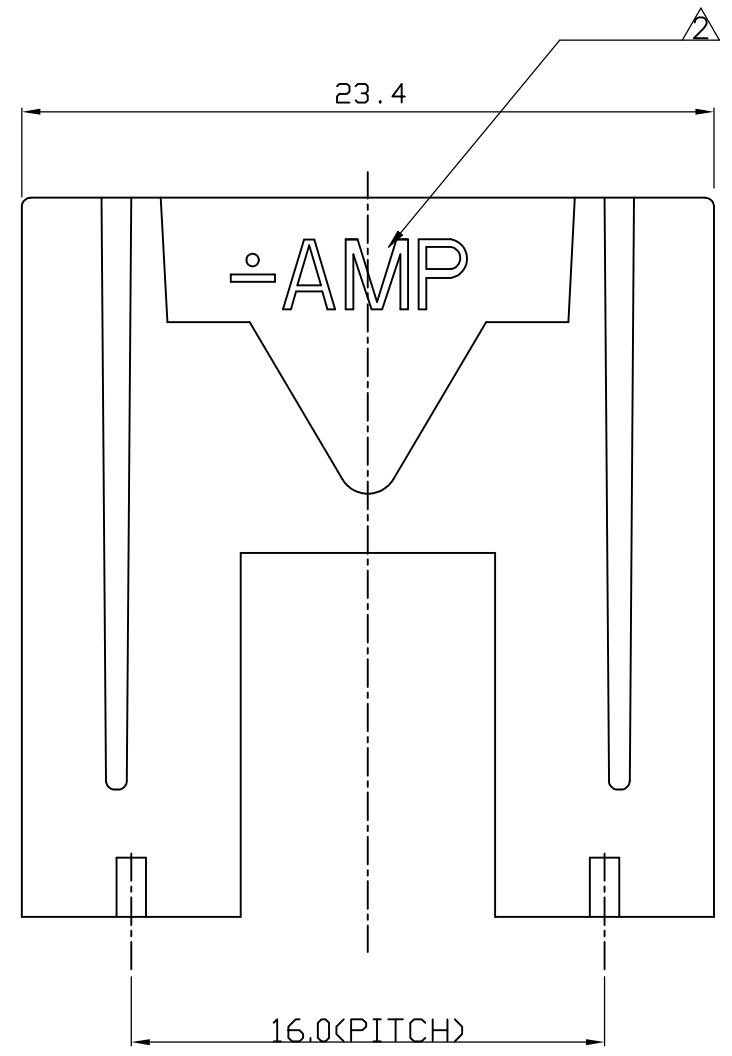
2

1

THIS DRAWING IS UNPUBLISHED. RELEASED FOR PUBLICATION

© COPYRIGHT BY TYCO ELECTRONICS CORPORATION. ALL RIGHTS RESERVED.

LOC	DIST	REVISIONS					
		P	LTR	DESCRIPTION	DATE	DWN	APVD
DS	-		A2	REVISED PER ECR-16-001910	22SEP'16	SC	BW
			A3	REVISED PER ECR-18-006574	30MAY'18	BH	RP
			A4	REVISED PER ECR-18-015822	22NOV'18	BH	E.W

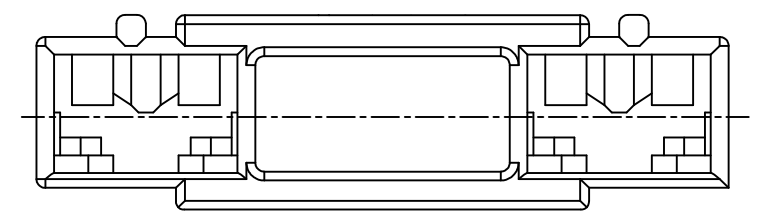
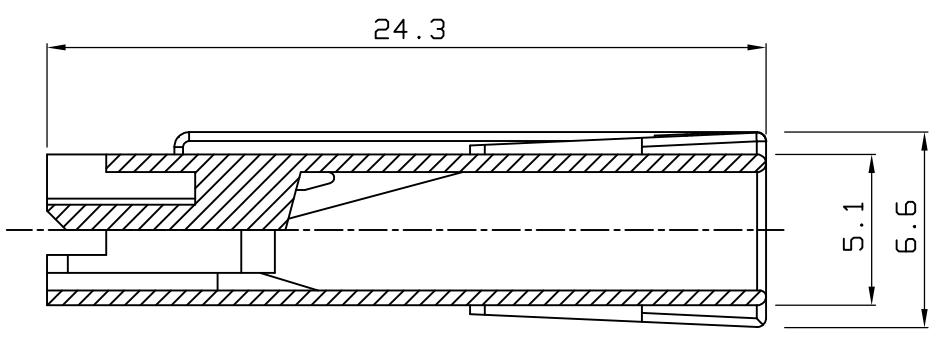
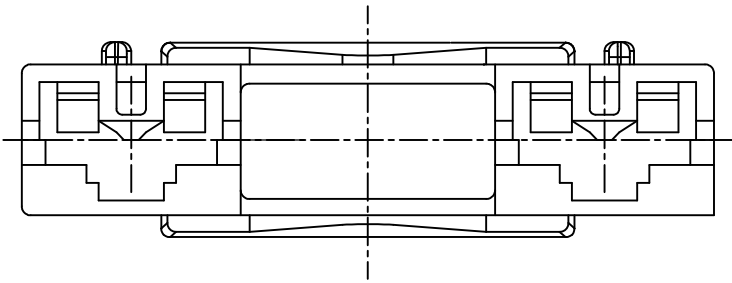


NOTES :  
 1. APPLICABLE CONTACT P/N :  
 170324, 170325, 170326  
 A SEE TABLE  
 B MATERIAL : PA66, UL94 V-0, GWIT 775°C

TABLE A

ID MARK	MANUFACTURING PLACE
◌AMP OR ◌AMP	Korea
◌AMP OR ◌AMP	Qingdao

PRELIMINARY		A	NATURAL	2-85092-1	
	3	NYLON66(V-0)	YELLOW	1-85092-4	OBSOLETE
	2	NYLON66(V-0)	NATURAL	1-85092-1	
	1	NYLON66(V-2)	NATURAL	85092-1	
		MAT'L	COLOR	PART NO	



SECTION A-A

<small>THIS DRAWING IS A CONTROLLED DOCUMENT FOR TYCO ELECTRONICS CORPORATION          IT IS SUBJECT TO CHANGE AND THE CONTROLLING ENGINEERING ORGANIZATION          SHOULD BE CONTACTED FOR THE LATEST REVISION.</small>		DWN BH CHO CHK BW KANG APVD JK SONG PRODUCT SPEC <b>108-5126</b> APPLICATION SPEC -		<b>Tyco Electronics</b> AMP KOREA, kyungsan, korea	
DIMENSIONS: MM 		TOLERANCES UNLESS OTHERWISE SPECIFIED: 0 PLC ± 1 PLC ± 2 PLC ± 0.2 3 PLC ± 4 PLC ± ANGLES ±		NAME <b>187 SERIES POSITIVE LOCK (MK II)          2P REC HSG</b>	
MATERIAL SEE TABLE		FINISH -		SIZE <b>A3</b>	
		WEIGHT -		CAGE CODE <b>00779</b>	
		CUSTOMER DRAWING		DRAWING NO <b>85092</b>	
		SCALE <b>4/1</b>		SHEET <b>1 OF 1</b>	
		REV <b>A4</b>		RESTRICTED TO -	

## X-ON Electronics

Largest Supplier of Electrical and Electronic Components

*Click to view similar products for [Headers & Wire Housings](#) category:*

*Click to view products by [TE Connectivity](#) manufacturer:*

Other Similar products are found below :

[892-18-020-10-001101](#) [58102-G61-06LF](#) [582553-1](#) [0009485154](#) [009176003701906](#) [0050291907](#) [LY20-4P-DT1-P1E-BR](#) [02.125.8002.8](#)  
[609-3404](#) [61062-3](#) [61082-181009](#) [622-3653LF](#) [63453-116](#) [636-1030](#) [636-1427](#) [636-3427](#) [636-4007](#) [641938-9](#) [641991-4](#) [644827-2](#) [65817-](#)  
[010LF](#) [65817-015LF](#) [65863-015LF](#) [66207-023LF](#) [67095-007LF](#) [67601157](#) [68645-018](#) [68648-049](#) [70.362.1628.0](#) [70-4210](#) [70-4226B](#) [70-](#)  
[4853B](#) [707-5020](#) [707-5028](#) [71.350.2428.0](#) [71918-208LF](#) [71961-016LF](#) [733-134](#) [733-162](#) [754199-000](#) [760-3052](#) [79531-3000](#) [FCN-](#)  
[360C032-B](#) [FCN-367T-T012/H](#) [FCN-723D010/2](#) [80.063.4001.1](#) [800-90-010-10-002000](#) [801-43-002-10-013000](#) [801-43-006-10-002000](#)  
[801-93-011-10-001000](#)