

THIS DRAWING IS UNPUBLISHED.

RELEASED FOR PUBLICATION

,19

© COPYRIGHT 19

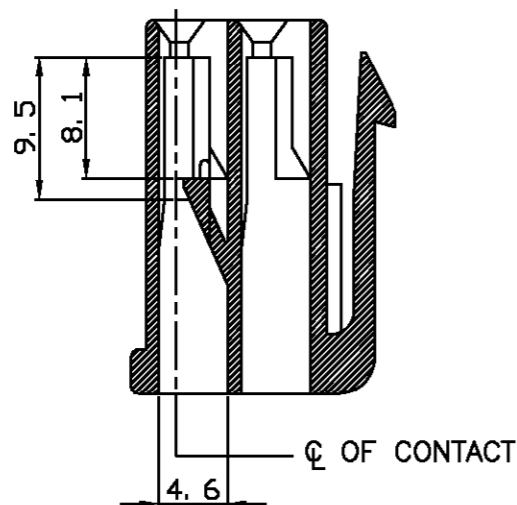
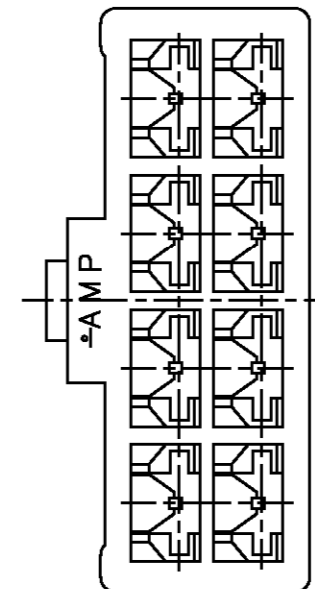
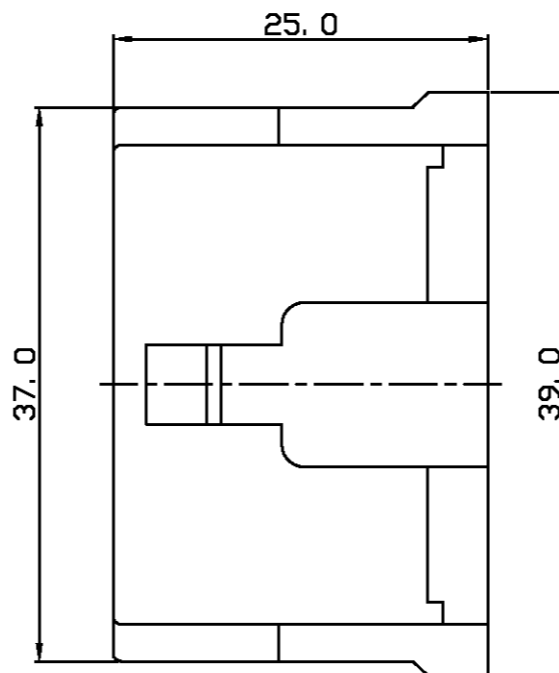
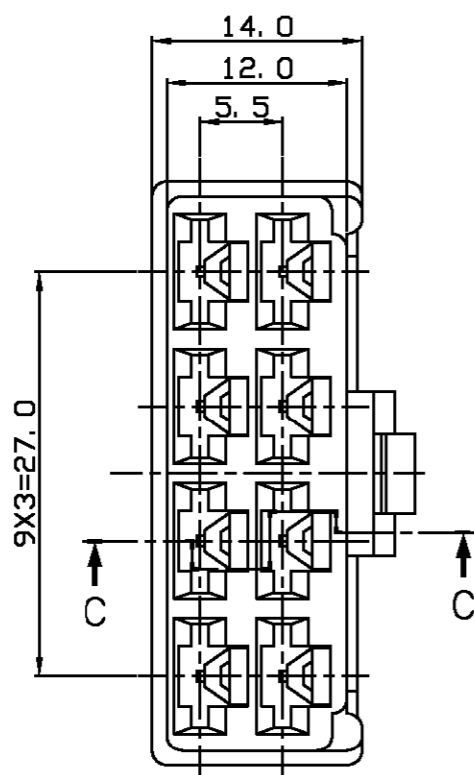
BY AMP INCORPORATED. ALL RIGHTS RESERVED.

LDC DS

DIST

REVISIONS

P	LTR	DESCRIPTION	DATE	DVN	APVD
	O	RELEASED(RD96-316)	'98 2/OCT	YJ	CS
	A	REVISED(FC00-0013-01)	15/FEB/'01	MS	CS



SECT C-C

NOTE

1. APPLICABLE REC TML: 170384-2, 170032-5, 170258-8

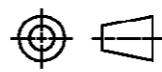
①	PART NO	MATERIAL	COLOR
	85136-2	PA 66	BLUE
	85136-1	PA 66	NATURAL

THIS DRAWING IS A CONTROLLED DOCUMENT FOR AMP INCORPORATED. IT IS SUBJECT TO CHANGE AND THE CONTROLLING ENGINEERING ORGANIZATION SHOULD BE CONTACTED FOR THE LATEST REVISION.

DIMENSIONS: MM

TOLERANCES UNLESS OTHERWISE SPECIFIED:

- 0 <XX<10 ± 0.2
- 10<XX<30 ± 0.25
- 30<XX ± 0.3
- ANGLES ± 3°



3rd ANGLE PROJECTION

MATERIAL SEE TABLE

FINISH SEE TABLE

DVN  
CHK  
APVD  
PRODUCT SPEC  
APPLICATION SPEC  
WEIGHT

**AMP**

AMP KOREA.  
kyungsan, korea

NAME  
250 8P PLUG HSG

SIZE: A3  
CAGE CODE: 00779  
DRAWING NO: 85136

SCALE 1/1 SHEET 1 OF 1 REV A

## X-ON Electronics

Largest Supplier of Electrical and Electronic Components

*Click to view similar products for [Terminals](#) category:*

*Click to view products by [TE Connectivity](#) manufacturer:*

Other Similar products are found below :

[00-054007-01074-6](#) [00-054007-70206-1](#) [00-054007-70210-8](#) [00-054007-70217-7](#) [00-054007-70226-9](#) [00-054007-70228-3](#) [00-054007-70248-1](#) [00-054007-70256-6](#) [00-054007-70301-3](#) [00-054007-70316-7](#) [0-0320562-0](#) [00-054007-49560-4](#) [00-054007-70209-2](#) [00-054007-70225-2](#) [00-054007-70227-6](#) [00-054007-70231-3](#) [00-054007-70241-2](#) [00-054007-70242-9](#) [00-054007-70244-3](#) [00-054007-70246-7](#) [00-054007-70263-4](#) [00-054007-70288-7](#) [00-054007-70290-0](#) [00-054007-70300-6](#) [00-054007-70304-4](#) [01-2065-1-0216](#) [01-2900-1-04412](#) [00581P0075](#) [600TS-10](#) [60205-1](#) [604200-1](#) [605601-1](#) [60598-1-CUT-TAPE](#) [61314-6-C](#) [61810-3](#) [61-S](#) [61-SN](#) [626-0194](#) [62-NBM-A](#) [62-SN](#) [62-SP](#) [63-S](#) [640179-1](#) [M55155/059I03](#) [M55155/079C01](#) [M55155/099H02](#) [M55155/109H01](#) [M55155/109H02](#) [M55155/12XH05](#) [M55155/16XH02](#)