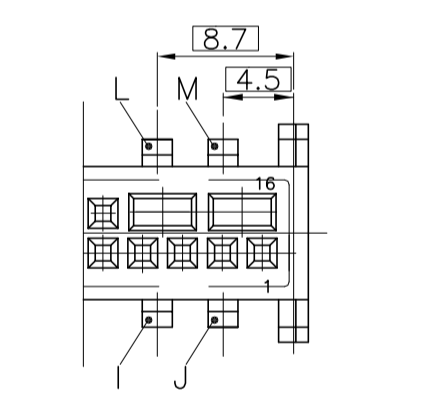
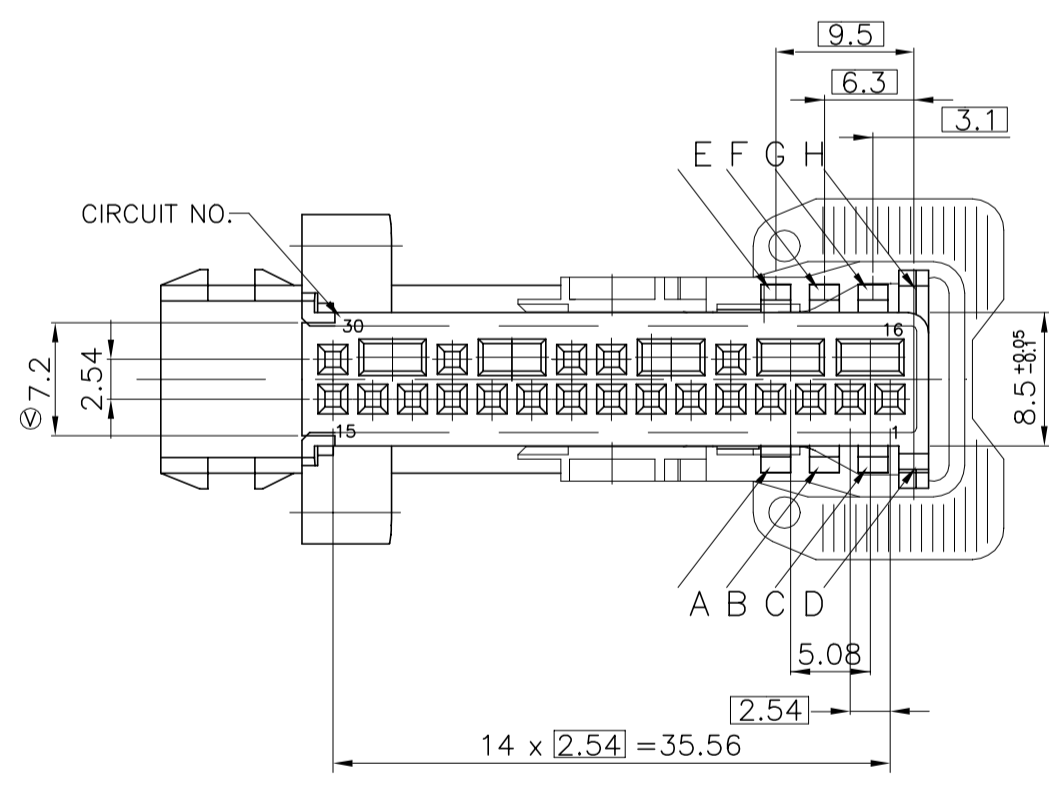
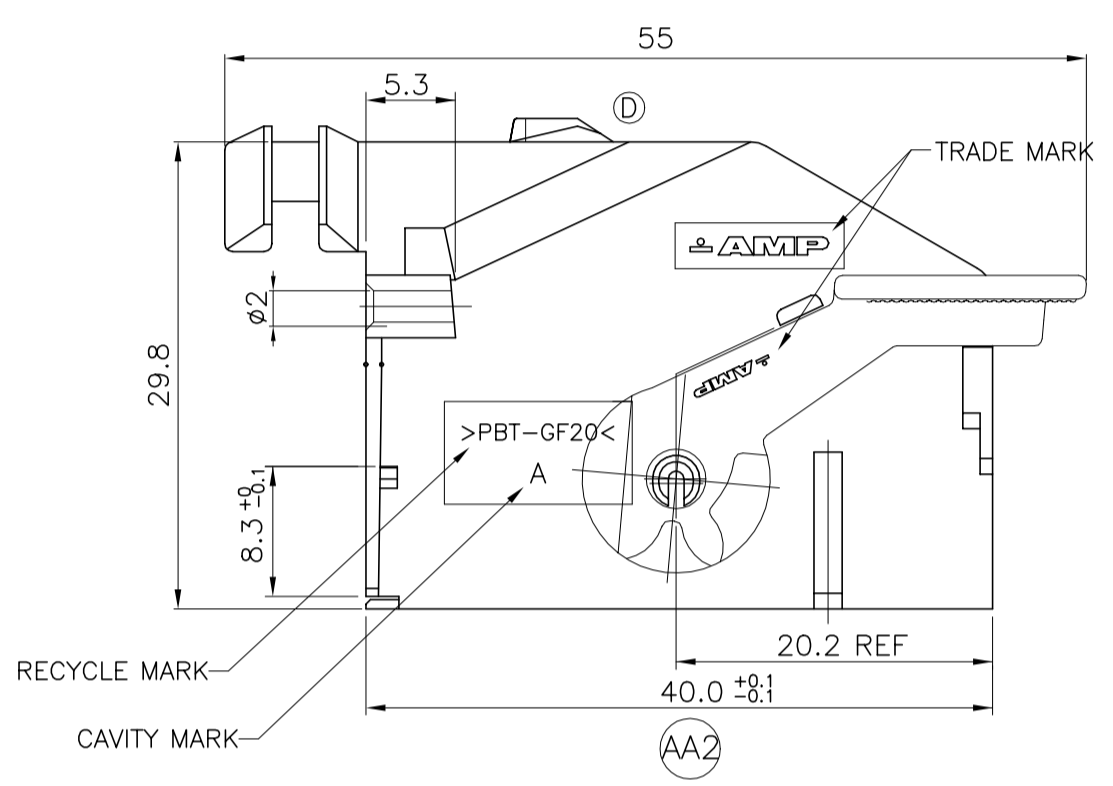
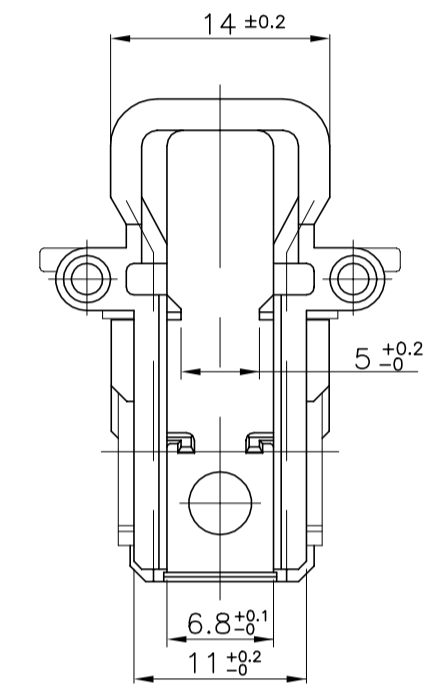
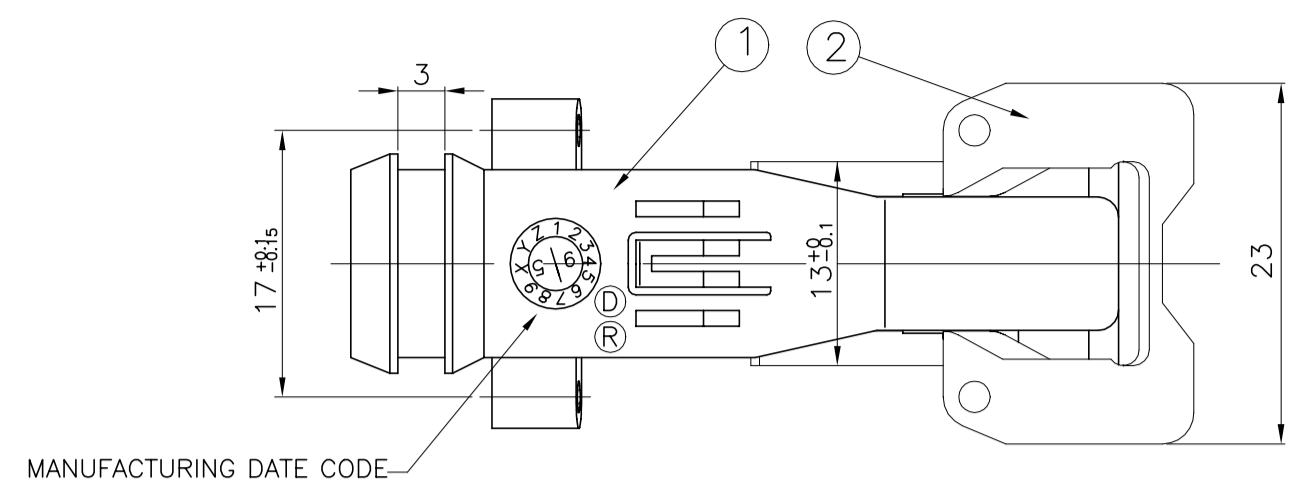
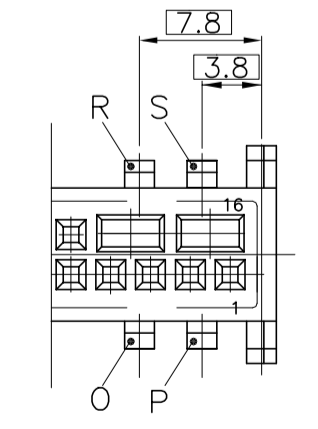


REVISIONS				
P	LTR	DESCRIPTION	DATE	DWN
AA3	REVISED	ECR-20-006447	03SEP2020	PSJ/SPB



VIEW CODE "IJLM" (AA1)



VIEW CODE "OPRS" (AA1)

QTY	DESCRIPTION	UNIT	REVISION	DATE	BY	CHK	APVD	REVISION	DATE	BY	CHK	APVD
1	85180-1	LEVER HSG										
1	9-85181-6	SIGNAL VIOLET										
1	9-85181-3	HEADER VIOLET										
1	9-85181-2	OLIVER GREY										
1	3-85181-8	BLUE LILAC										
1	8-85181-7	BRIGHT BLUE										
1	8-85181-6	CURRY										
1	8-85181-5	GREY WHITE										
1	8-85181-4	SIGNAL GREEN										
1	8-85181-3	MOSS GREEN										
1	8-85181-2	PATINA GREEN										
1	8-85181-1	RESEDA GREEN										
1	7-85181-9	TRAFFIC ORANGE										
1	7-85181-8	OPAL GREEN										
1	7-85181-7	GREEN BLUE										
1	7-85181-6	SINGLE YELLOW										
1	7-85181-5	RED BROWN										
1	7-85181-4	BEIGE GREY										
1	7-85181-3	TRAFFIC RED										
1	7-85181-2	BLACK OLIVE										
1	7-85181-1	PLATINUM GREY										
1	6-85181-9	LIGHT GREEN										
1	6-85181-8	SALMON PINK										
1	6-85181-7	PASTEL VIOLET										
1	6-85181-6	OYSTER WHITE										
1	6-85181-5	BROWN BEIGE										
1	6-85181-4	WINE RED										
1	6-85181-3	PIGEON BLUE										
1	6-85181-2	TRAFFIC PURPLE										
1	6-85181-1	PASTEL ORANGE										
1	5-85181-9	GREEN BEIGE										
1	5-85181-7	ULTRAMARINE BLUE										
1	5-85181-6	NUT BROWN										
1	5-85181-5	LIGHT IVORY										
1	5-85181-4	LIGHT BLUE										
1	5-85181-3	CLAY BROWN										
1	5-85181-2	WINE RED										
1	5-85181-1	CURRY YELLOW										
1	4-85181-5	GRAPHITE BLACK										
1	4-85181-4	TURQUOISE BLUE										
1	4-85181-3	LIGHT PINK										
1	4-85181-2	BLUE GREY										
1	4-85181-1	COBALT BLUE										
1	4-85181-1	ROSE										
1	4-85181-1	GREEN										
1	4-85181-1	TRAFFIC YELLOW										
1	2-85181-9	ORANGE BROWN										
1	2-85181-8	WHITE ALUMINIUM										
1	2-85181-7	GREEN										
1	2-85181-4	YELLOW ORANGE										
1	1-85181-9	LUMINOUS YELLOW										
1	1-85181-8	TRUOIQUE GREEN										
1	1-85181-7	PASTEL GREEN										
1	3-85181-6	TRAFFIC YELLOW										
1	3-85181-5	SIGNAL GREEN										
1	3-85181-4	CURRY YELLOW										
1	3-85181-3	WINE RED										
1	3-85181-2	LIGHT IVORY										
1	3-85181-1	CLAY BROWN										
1	2-85181-3	TRAFFIC BLUE										
1	2-85181-2	BASALT GREY										
1	2-85181-1	KHAKI GREY										
1	85181-7	LIGHT GRAY										
1	2-85181-6	CLARET VIOLET										
1	1-85181-6	ROSE										
1	85181-6	GREEN										
1	2-85181-5	LUMINOUS ORANGE										
1	1-85181-5	GRAY WHITE										
1	85181-5	YELLOW										
1	85181-4	CLAY BROWN										
1	85181-3	SIGNAL GREEN										
1	1-85181-3	SIGNAL GREEN										
1	85181-2	CURRY YELLOW										
1	1-85181-1	PINK										
1	85181-1	TRUOIQUE BLUE										

PART NO	DESCRIPTION	MATERIAL	COLOR	CODE	NO
85180-1	LEVER HSG		BALCK	CODING	2
9-85181-6	SIGNAL VIOLET	(RAL 4006)	J-S		1
9-85181-3	HEADER VIOLET	(RAL 4003)	P-F		1
9-85181-2	OLIVER GREY	(RAL 7002)	P-R		1
3-85181-8	BLUE LILAC	(RAL 4005)	A-F		1
8-85181-7	BRIGHT BLUE	(RAL 5007)	P-E		1
8-85181-6	CURRY	(RAL 1027)	P-M		1
8-85181-5	GREY WHITE	(RAL 9002)	P-L		1
8-85181-4	SIGNAL GREEN	(RAL 6032)	O-S		1
8-85181-3	MOSS GREEN	(RAL 6005)	J-S		1
8-85181-2	PATINA GREEN	(RAL 6000)	I-S		1
8-85181-1	RESEDA GREEN	(RAL 6011)	D-S		1
7-85181-9	TRAFFIC ORANGE	(RAL 2009)	C-S		1
7-85181-8	OPAL GREEN	(RAL 6026)	B-S		1
7-85181-7	GREEN BLUE	(RAL 5001)	A-S		1
7-85181-6	SINGLE YELLOW	(RAL 1003)	J-R		1
7-85181-5	RED BROWN	(RAL 8012)	I-R		1
7-85181-4	BEIGE GREY	(RAL 7006)	O-R		1
7-85181-3	TRAFFIC RED	(RAL 3020)	D-R		1
7-85181-2	BLACK OLIVE	(RAL 6015)	C-R		1
7-85181-1	PLATINUM GREY	(RAL 7036)	B-R		1
6-85181-9	LIGHT GREEN	(RAL 6027)	A-R		1
6-85181-8	SALMON PINK	(RAL 3022)	O-M		1
6-85181-7	PASTEL VIOLET	(RAL 4009)	O-L		1
6-85181-6	OYSTER WHITE	(RAL 1013)	O-H		1
6-85181-5	BROWN BEIGE	(RAL 1011)	O-G		1
6-85181-4	WINE RED	(RAL 3005)	O-F		1
6-85181-3	PIGEON BLUE	(RAL 5014)	O-E		1
6-85181-2	TRAFFIC PURPLE	(RAL 4006)	D-M		1
6-85181-1	PASTEL ORANGE	(RAL 2003)	D-L		1
5-85181-9	GREEN BEIGE	(RAL 1000)	J-G		1
5-85181-7	ULTRAMARINE BLUE	(RAL 5002)	J-E		1
5-85181-6	NUT BROWN	(RAL 8011)	I-G		1
5-85181-5	LIGHT IVORY	(RAL 1015)	J-F		1
5-85181-4	LIGHT BLUE	(RAL 5012)	I-F		1
5-85181-3	CLAY BROWN	(RAL 8003)	B-L		1
5-85181-2	WINE RED	(RAL 3005)	A-M		1
5-85181-1	CURRY YELLOW	(RAL 1027)	I-E		1
4-85181-5	GRAPHITE BLACK	(RAL 9011)	C-M		1
4-85181-4	TURQUOISE BLUE	(RAL 5018)	C-L		1
4-85181-3	LIGHT PINK	(RAL 3015)	B-M		1
4-85181-2	BLUE GREY	(RAL 7031)	B-C		1
4-85181-1	COBALT BLUE	(RAL 5013)	A-B		1
4-85181-1	ROSE	(RAL 3017)	O-P		1
4-85181-1	GREEN	(RAL 6002)	M-N		1
4-85181-1	TRAFFIC YELLOW	(RAL 1023)	L-N		1
2-85181-9	ORANGE BROWN	(RAL 8023)	K-M		1
2-85181-8	WHITE ALUMINIUM	(RAL 9006)	L-M		1
2-85181-7	GREEN	(RAL 6002)	K-L		1
2-85181-4	YELLOW ORANGE	(RAL 2000)	J-N		1
1-85181-9	LUMINOUS YELLOW	(RAL 1026)	I-J		1
1-85181-8	TRUOIQUE GREEN	(RAL 6016)	J-K		1
1-85181-7	PASTEL GREEN	(RAL 6019)	I-K		1
3-85181-6	TRAFFIC YELLOW	(RAL 1023)	D-H		1
3-85181-5	SIGNAL GREEN	(RAL 6032)	C-H		1
3-85181-4	CURRY YELLOW	(RAL 1027)	B-D		1
3-85181-3	WINE RED	(RAL 3005)	B-D		1
3-85181-2	LIGHT IVORY	(RAL 1015)	F-H		1
3-85181-1	CLAY BROWN	(RAL 8003)	F-H		1
2-85181-3	TRAFFIC BLUE	(RAL 5017)	J-M		1
2-85181-2	BASALT GREY	(RAL 7012)	J-L		1
2-85181-1	KHAKI GREY	(RAL 7008)	I-N		1
85181-7	LIGHT GRAY	(RAL 7035)	A-D		1
2-85181-6	CLARET VIOLET	(RAL 4004)	I-M		1
1-85181-6	ROSE	(RAL 3017)	A-C		1
85181-6	GREEN	(RAL 6002)	C-F		1
2-85181-5	LUMINOUS ORANGE	(RAL 2005)	I-L		1
1-85181-5	GRAY WHITE	(RAL 9002)	A-G		1
85181-5	YELLOW	(RAL 1023)	C-H		1
85181-4	CLAY BROWN	(RAL 8003)	B-H		1
85181-3	SIGNAL GREEN	(RAL 6032)	D-G		1
1-85181-3	SIGNAL GREEN	(RAL 6032)	C-G		1
85181-2	CURRY YELLOW	(RAL 1027)	B-G		1
1-85181-1	PINK	(RAL 4003)	E-G		1
85181-1	TRUOIQUE BLUE	(RAL 5018)	D-E		1</

REVISIONS					
P	LTR	DESCRIPTION	DATE	BYN	APVD
-	-	SEE SHEET 1	-	-	-

# GEOMETRY CODE

D-E	E-G	B-G	D-H	D-G	B-H	C-H	A-G	I-L	C-F	A-C	I-M	Ⓣ C-G	A-D
I-N	J-L	Ⓐ J-M	B-D	F-H	Ⓣ I-K	Ⓣ J-K	Ⓣ I-J	Ⓣ J-N	Ⓣ K-L	Ⓣ L-M	Ⓣ K-M	Ⓤ L-N	Ⓤ M-N
Ⓤ O-P	Ⓣ A-B	Ⓣ B-C	Ⓤ B-M	Ⓤ C-L	Ⓤ C-M	Ⓤ I-E	Ⓚ A-M	Ⓚ B-L	Ⓜ I-F	Ⓝ J-F	Ⓟ I-G	Ⓟ J-E	Ⓡ J-G
Ⓡ D-L	Ⓡ D-M	Ⓡ O-E	Ⓢ O-F	Ⓢ O-G	Ⓢ O-H	Ⓢ O-L	Ⓢ O-M	Ⓢ A-R	Ⓢ B-R	Ⓢ C-R	Ⓢ D-R	Ⓣ O-R	Ⓣ I-R
Ⓣ J-R	Ⓣ A-S	Ⓣ B-S	Ⓤ C-S	Ⓜ D-S	Ⓜ I-S	Ⓜ J-S	Ⓨ O-S	Ⓨ P-L	Ⓨ P-M	Ⓨ P-E	Ⓩ A-F	ⒶⓂⓂ P-R	ⒶⓂⓂ P-F

THIS DRAWING IS A CONTROLLED DOCUMENT.

<p>0 PLC ± -</p> <p>1 PLC ± -</p> <p>2 PLC ± -</p> <p>3 PLC ± -</p> <p>4 PLC ± -</p> <p>ANGLES ± -</p> <p>FINISH SEE TABLE</p>	<p>0 &lt;XX&lt;10 ± 0.2</p> <p>10&lt;XX&lt;30 ± 0.25</p> <p>30&lt;XX ± 0.3</p> <p>ANGLES ± 3°</p>	<p>DRN SH JANG</p> <p>CHK DG JEONG</p> <p>APVD YU YOUN</p> <p>PRODUCT SPEC</p> <p>APPLICATION SPEC</p> <p>WEIGHT 0</p> <p>CUSTOMER DRAWING</p>	<p><b>STE</b> TE Connectivity</p> <p>NAME AIR BAG 30P COVER ASS'Y</p> <p>SIZE CAGE CODE DRAWING NO A1 00779 C-85190</p> <p>SCALE FREE SHEET 2 OF 2 REV AA3</p>
--	---	--	--

## X-ON Electronics

Largest Supplier of Electrical and Electronic Components

*Click to view similar products for [Automotive Connectors](#) category:*

*Click to view products by [TE Connectivity](#) manufacturer:*

Other Similar products are found below :

[003-018-000](#) [60403001](#) [60993906-B](#) [M902-2131](#) [M902-2161](#) [M902-2344](#) [72.330.1035.1](#) [73.353.4028.0](#) [F119300-B](#) [F166900](#) [F258300-B](#)  
[F358300-B](#) [F407400](#) [F444110](#) [F487000](#) [F509500B-B](#) [827153-1](#) [8N1515-32-24P](#) [9-1326729-8](#) [925474-1](#) [928905-1](#) [964562-4](#) [968782-1](#)  
[GT17SA-8DS-HU](#) [98891-1012](#) [98947-1016](#) [12004147](#) [12004475-L](#) [12010290](#) [12010309-B](#) [12015454](#) [12020219-B](#) [12041318-B](#) [12052225-](#)  
[L](#) [12052466](#) [12064869](#) [12004327-B](#) [12015308](#) [12015384](#) [12015909](#) [1-21030-1](#) [12041254](#) [12041318](#) [12047946-B](#) [12047957](#) [12047957-L](#)  
[12059473](#) [12066261](#) [12110546](#) [12110546-B](#)