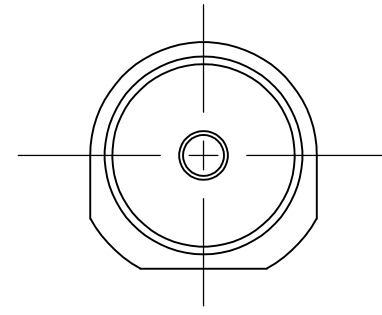
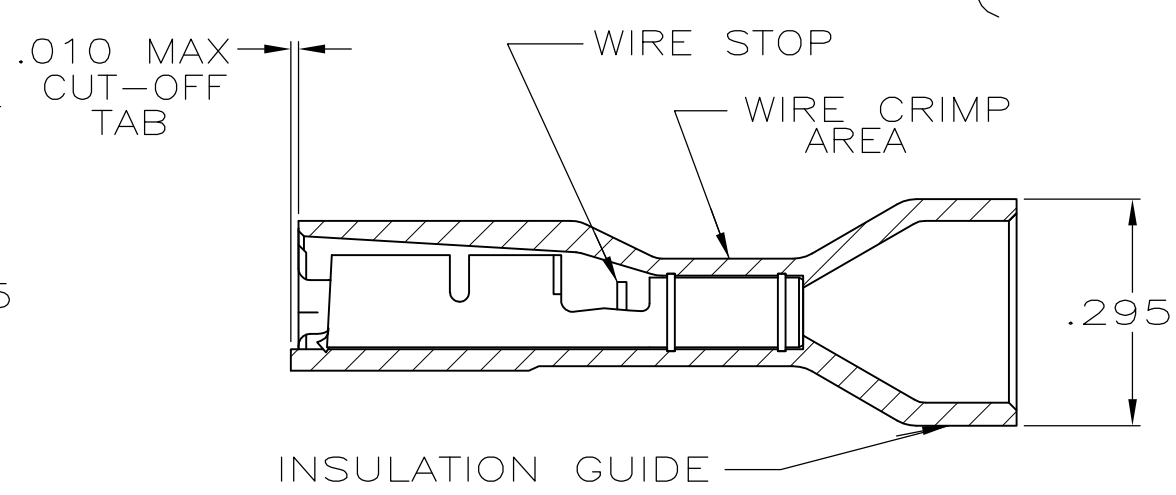
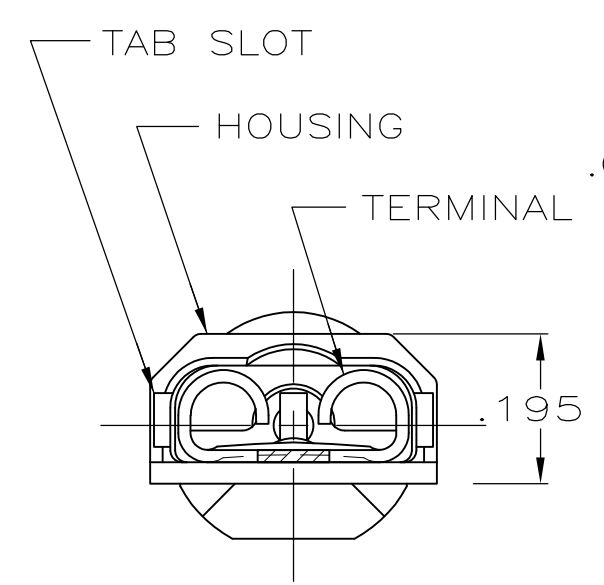
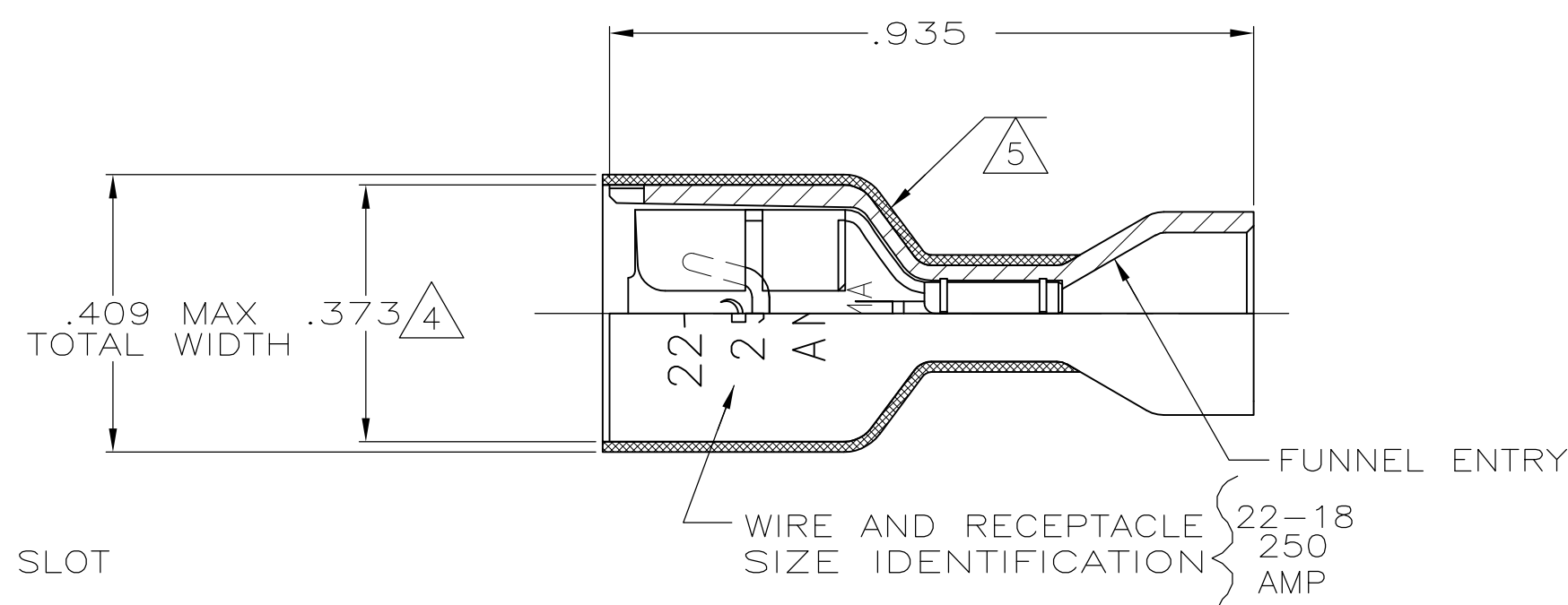


THIS DRAWING IS UNPUBLISHED. RELEASED FOR PUBLICATION  
 © COPYRIGHT - By - ALL RIGHTS RESERVED.

LOC	DIST	REVISIONS			
P	LTR	DESCRIPTION	DATE	DWN	APVD
AF	50	N	REVISED PER ECR-13-004343	30JUL13	KH KR

- 1 MATES WITH .032±.001x.250 TAB
- 2 WIRE STRIP LENGTH .281
- 3 INSULATION SIZE .230 MAX DIA
- △4 DIMENSION DOES NOT INCLUDE TRIM BURR
- △5 .015 MAX CARRIER TRIM BURR PER SIDE IS ALLOWABLE IN THE SHADED AREA



<b>OBSOLETE</b>	HOUSING: NYLON, COLOR-RED TRANSLUCENT RECEPTACLE: #3 HARD PH BRONZE, TIN	2-520264-4
	HOUSING: NYLON, COLOR-RED TRANSLUCENT RECEPTACLE: BRASS, TIN	2-520264-2
MATERIAL & FINISH		PART NO

THIS DRAWING IS A CONTROLLED DOCUMENT.		DWN P FORTNEY 9/30/88	<b>STE</b> TE Connectivity		
DIMENSIONS: INCHES		CHK MS FEHER 9/30/88			
TOLERANCES UNLESS OTHERWISE SPECIFIED:		APVD K RANDOLPH 9/30/88	NAME		
0 PLC ± -		PRODUCT SPEC	RECEPTACLE ASSY, ULTRA-FAST, LOOSE PIECE, .250 SERIES, 22-18 AWG		
1 PLC ± -		108-2043	SIZE		
2 PLC ± -		APPLICATION SPEC	CAGE CODE	DRAWING NO	RESTRICTED TO
3 PLC ± .015		114-2123	A3	00779	C-520264
4 PLC ± -		WEIGHT	-		
ANGLES ± -		CUSTOMER DRAWING			
MATERIAL SEE TABLE		FINISH SEE TABLE		SCALE 4:1	SHEET 1 OF 1
				REV N	

## X-ON Electronics

Largest Supplier of Electrical and Electronic Components

*Click to view similar products for [Terminals](#) category:*

*Click to view products by [TE Connectivity](#) manufacturer:*

Other Similar products are found below :

[HT-13-10](#) [71M-250-32-NB](#) [01-2065-1-0216](#) [00581P0075](#) [M10-10RX](#) [M10BCK](#) [60205-1](#) [604200-1](#) [60598-1-CUT-TAPE](#) [60617-1-C](#) [60873-1](#) [M14-516R/SK](#) [M14-6RSX](#) [M18-8FBX](#) [M18-8R/LX](#) [M18BCK](#) [61314-6-C](#) [61-S](#) [61-SN-A](#) [62-NBM-A](#) [63-S](#) [640179-1](#) [640917-2-CUT-TAPE](#) [6501550002](#) [66107-2-C](#) [696683-1](#) [696834-1](#) [696861-1](#) [696931-1](#) [696999-1](#) [M8-516RK](#) [M86700006](#) [MA250DMFMX-A](#) [701-2007](#) [701-2307](#) [701-7761-03](#) [70F-110-32-PB](#) [718-N-A](#) [71M-187-20-NBL](#) [71M-250-32-NBL](#) [72F-187-20-NBL](#) [72M-250-32-NBL](#) [7310](#) [73F-250-32](#) [73F-250-32-NL](#) [F14-10C](#) [F-1M](#) [751-250](#) [76650-5002](#) [76828-149](#)