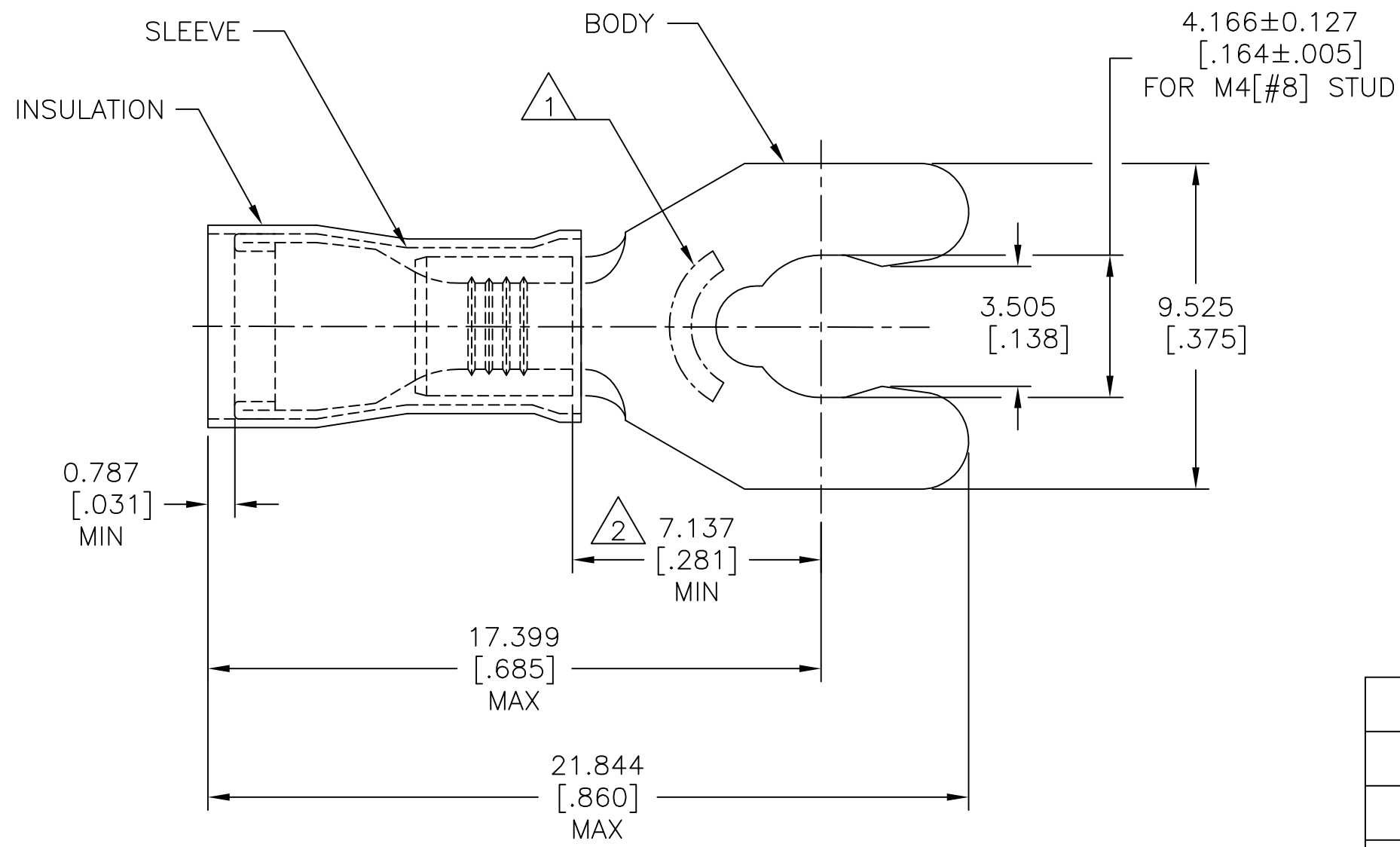


| REVISIONS |     |                           |           |     |      |
|-----------|-----|---------------------------|-----------|-----|------|
| P         | LTR | DESCRIPTION               | DATE      | DWN | APVD |
|           | K2  | REVISED PER ECO-11-004587 | 11MAR11   | RK  | HMR  |
|           | K3  | REVISED PER ECO-17-010308 | 25OCT2017 | RS  | DR   |



- 1 STAMP 8S AMP 16-14\*, APPROX AS SHOWN.
- 2 APPLIES FROM EDGE OF METAL WIRE BARREL TO CENTER OF STUD HOLE.
- 3 BODY MATERIAL THK IS 0.787±0.051[.031±.002]
- 4 BODY - PHOS BRONZE PER ASTM B-103  
SLEEVE - COPPER PER ASTM B-152  
INSULATION - NYLON.
- 5 BODY - TIN PLATE PER ASTM B545  
SLEEVE - TIN PLATE PER ASTM B545  
INSULATION - COLOR - BLUE.

|                                |                                 |                                |
|--------------------------------|---------------------------------|--------------------------------|
| <b>AMP</b><br>WIRE RANGE       | <b>UL</b> Listed<br>FILE E13288 | <b>SR</b> LR7189<br>Certified  |
| 16-14 AWG<br>SOLID OR STRANDED | 16-14 AWG<br>SOLID OR STRANDED  | 16-14 AWG<br>SOLID OR STRANDED |

| WIRE INSULATION OD | QTY  | PACKAGE TYPE     | PART NO   |
|--------------------|------|------------------|-----------|
| .115-.170          | 100  | LOOSE PIECE, BOX | 8-52936-1 |
| .115-.182          | 4000 | -2 ON TAPE       | 52936-3   |
| .115-.182          | 1000 | LOOSE PIECE      | 52936-2   |
| .115-.170          | 4000 | -1 ON TAPE       | 52936-1   |
| .115-.170          | 1000 | LOOSE PIECE      | 52936     |

|  |  |
|--|--|
| <b>CUSTOMER SERVICE SYSTEMS</b>  |  |
| FOR ADDITIONAL PRODUCT INFORMATION OR COPIES OF DRAWINGS AND TECHNICAL DOCUMENTS | PRODUCT INFORMATION CENTER<br>1-800-522-6752 |
| FOR APPLICATION TOOLING INFORMATION  | TOOLING ASSISTANCE CENTER<br>1-800-722-1111  |
| FOR ORDER ENTRY  | 1-800-526-5142                               |

|  |
|--|
| MAX RECOMMENDED OPERATING TEMPERATURE:<br>105°C[221°F]               |
| VOLTAGE RATING:<br>300 V MAX   |
| CIRCULAR MIL AREA:<br>1.04-2.62mm²[2,050-5,180]<br>SOLID OR STRANDED |

|  |  |
|--|--|
| THIS DRAWING IS A CONTROLLED DOCUMENT. |  |
| DIMENSIONS:<br>mm [INCHES]             | TOLERANCES UNLESS OTHERWISE SPECIFIED: |
|  | 0 PLC ± -                              |
|  | 1 PLC ± -                              |
|  | 2 PLC ± -                              |
|  | 3 PLC ± 0.127[.005]                    |
|  | 4 PLC ± -                              |
|  | ANGLES ± 5°                            |
| MATERIAL                               | FINISH                                 |
| 4                                      | 5                                      |

|                                  |   |                    |                 |
|----------------------------------|---|--------------------|-----------------|
| DWN<br>jr_ruth<br>19MAR10        | <b>STE</b> TE Connectivity                                  |                    |                 |
| CHK<br>T MICHIELUTTI<br>19MAR10  |   |                    |                 |
| APVD<br>T MICHIELUTTI<br>19MAR10 | NAME  |                    |                 |
| PRODUCT SPEC<br>UL486 A-B        | TERMINAL, SHORT SPRING SPADE,<br>PIDG, WIRE SIZE: 16-14 AWG |                    |                 |
| APPLICATION SPEC<br>114-2157     | SIZE  | CAGE CODE          | DRAWING NO      |
| WEIGHT<br>-                      | A3  | 00779              | C-52936         |
| CUSTOMER DRAWING                 |   | SCALE<br>6:1       | SHEET<br>1 OF 1 |
|                                  |   | RESTRICTED TO<br>- | REV<br>K3       |

## X-ON Electronics

Largest Supplier of Electrical and Electronic Components

*Click to view similar products for [Terminals](#) category:*

*Click to view products by [TE Connectivity](#) manufacturer:*

Other Similar products are found below :

[00-054007-01074-6](#) [00-054007-70206-1](#) [00-054007-70210-8](#) [00-054007-70217-7](#) [00-054007-70226-9](#) [00-054007-70228-3](#) [00-054007-70248-1](#) [00-054007-70256-6](#) [00-054007-70301-3](#) [00-054007-70316-7](#) [00-054007-49560-4](#) [00-054007-70209-2](#) [00-054007-70225-2](#) [00-054007-70227-6](#) [00-054007-70231-3](#) [00-054007-70241-2](#) [00-054007-70242-9](#) [00-054007-70244-3](#) [00-054007-70246-7](#) [00-054007-70263-4](#) [00-054007-70288-7](#) [00-054007-70290-0](#) [00-054007-70300-6](#) [00-054007-70304-4](#) [01-2065-1-0216](#) [01-2900-1-04412](#) [00581P0075](#) [600TS-10](#) [60205-1](#) [604200-1](#) [605601-1](#) [60598-1-CUT-TAPE](#) [61314-6-C](#) [61810-3](#) [61-S](#) [61-SN](#) [626-0194](#) [62-NBM-A](#) [62-SN](#) [62-SP](#) [63-S](#) [640179-1](#) [M55155/059I03](#) [M55155/079C01](#) [M55155/099H02](#) [M55155/109H01](#) [M55155/109H02](#) [M55155/12XH05](#) [M55155/16XH02](#) [M55155/29-5S](#)