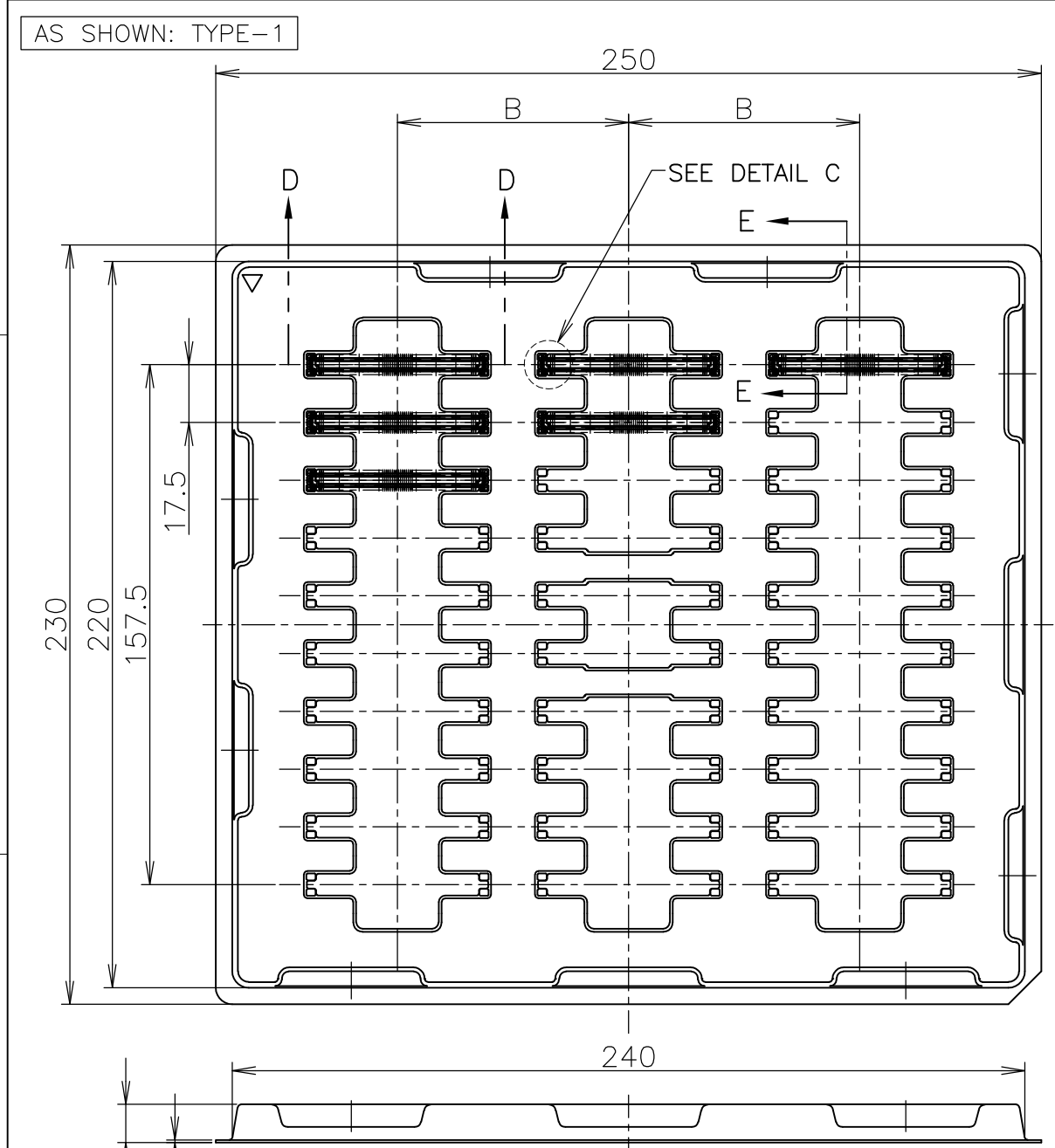
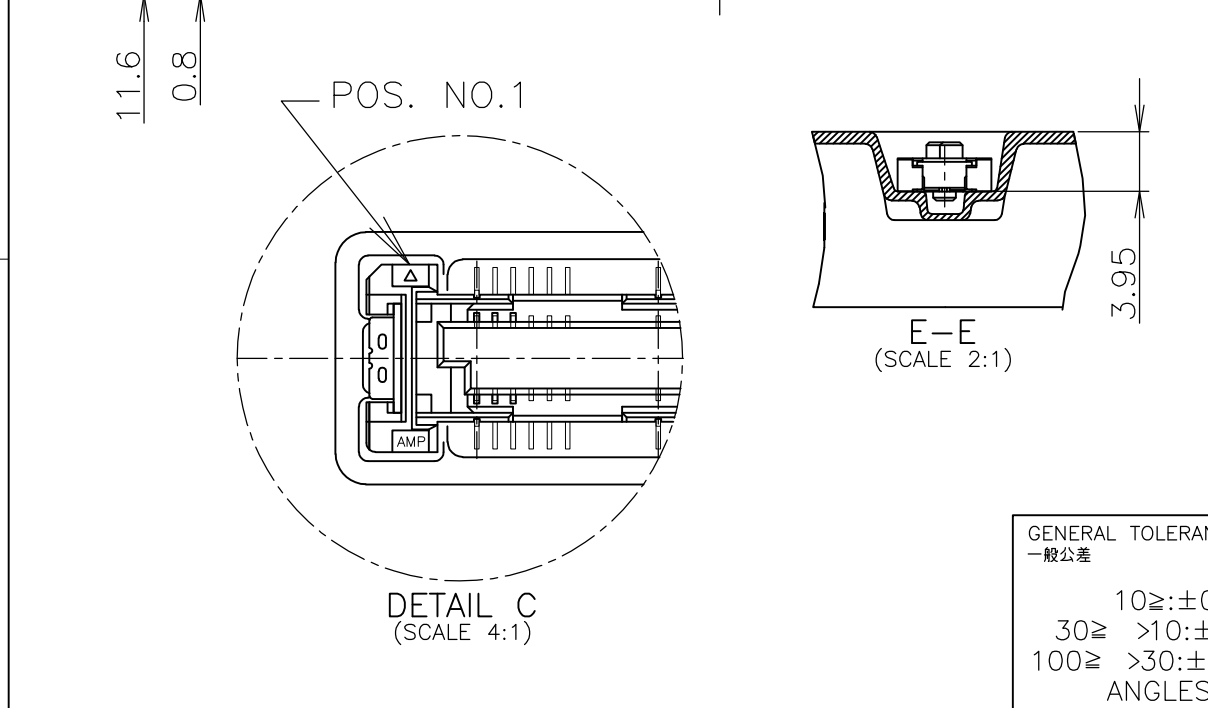
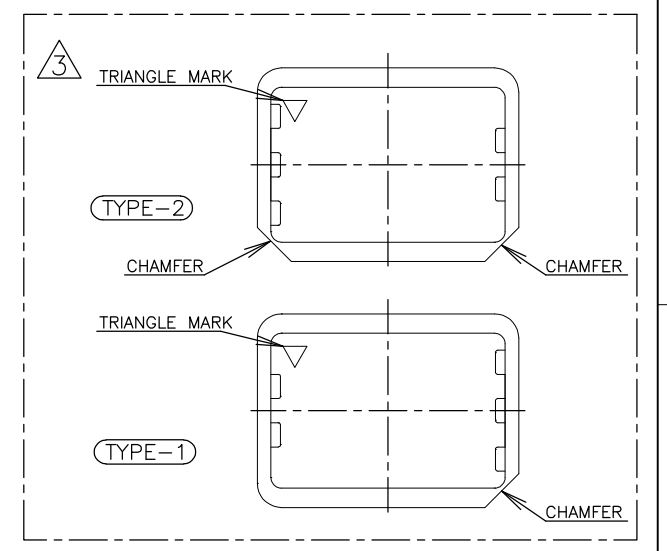
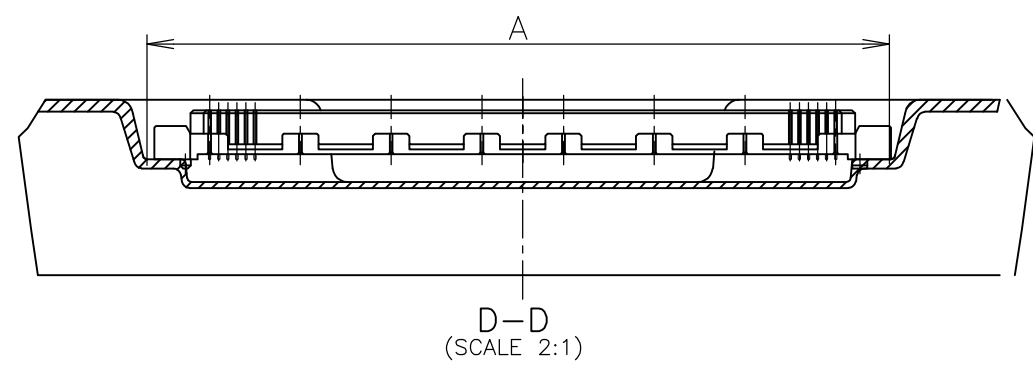


THIS DRAWING IS UNPUBLISHED. RELEASED FOR PUBLICATION MAY, 1995.
 © COPYRIGHT 1995 BY TYCO ELECTRONICS CORPORATION. ALL RIGHTS RESERVED.

LOC	DIST	REVISIONS		
J		变更		
P	LTR	DESCRIPTION	DATE	DWN
	B	REVISED ECR-08-000340	01FEB08	T.T
				APVD
				T.F



△ TRAY TYPE-1 AND TYPE-2 MUST BE
 PILED UP BY TURNS.
 (REFER TO PACKING SPECIFICATIONS)



HOUSING COLOR	SEALANT	TOOLING STATUS	ROW	QTY	B	A	POS.	TRAY P/N	PART NO.
BLACK	SEALANT	AVAILABLE	3	30	70	48.7	140	912063-8	8-5316136-0
		NOT AVAILABLE	↑	↑	↑	54.7	160	912063-9	6-5316136-1
		↑				48.7	140	912063-8	6-↑-0
		↓				42.7	120	9-912066-7	5-↑-9
		↓				36.7	100	8-912066-2	5-↑-8
		↓	3	30	70	33.7	90	9-912066-6	5-↑-7
	NON SEALANT	↓	5	50	43	30.7	80	912067-3	5-↑-6
		↑	↑	↑	↑	27.7	70	912063-1	5-↑-5
		↓				24.7	60	9-912066-5	5-↑-4
		↓				21.7	50	9-912062-9	5-↑-3
		↓				18.7	40	9-912066-4	5-↑-2
		↓	5	50	43	15.7	30	9-912066-3	5-5316136-1
NATURAL	NON SEALANT	AVAILABLE	3	30	70	54.7	160	912063-9	1-5316136-1
		AVAILABLE	↑	↑	↑	48.7	140	912063-8	1-↑-0
		NOT AVAILABLE	↓	↓	↓	42.7	120	9-912066-7	↑-9
		NOT AVAILABLE	↓	↓	↓	36.7	100	8-912066-2	↑-8
		NOT AVAILABLE	3	30	70	33.7	90	9-912066-6	↑-7
		NOT AVAILABLE	5	50	43	30.7	80	912067-3	↑-6
	NON SEALANT	AVAILABLE	↑	↑	↑	27.7	70	912063-1	↑-5
		NOT AVAILABLE	↓	↓	↓	24.7	60	9-912066-5	↑-4
		AVAILABLE	↓	↓	↓	21.7	50	9-912062-9	↑-3
		NOT AVAILABLE	↓	↓	↓	18.7	40	9-912066-4	↑-2
		NOT AVAILABLE	5	50	43	15.7	30	9-912066-3	5316136-1
		NOT AVAILABLE	↓	↓	↓	15.7	30	9-912066-3	5316136-1

GENERAL TOLERANCE
 一般公差

10 ≥ ±0.2
 30 ≥ >10: ±0.25
 100 ≥ >30: ±0.3
 ANGLES: ±3°

THIS DRAWING IS A CONTROLLED DOCUMENT.

DWN HAWKING HE 21DEC04
 CHK STEVEN YAO 21DEC04
 APVD I.ENOMOTO 21DEC04

Tyco Electronics Tyco Electronics Corporation
 Kawasaki, Japan

NAME 名称
 TRAY ASSY
 FH 0.6BTB CONNECTOR
 REC 4H STD

PRODUCT SPEC 製品規格
 108-60047

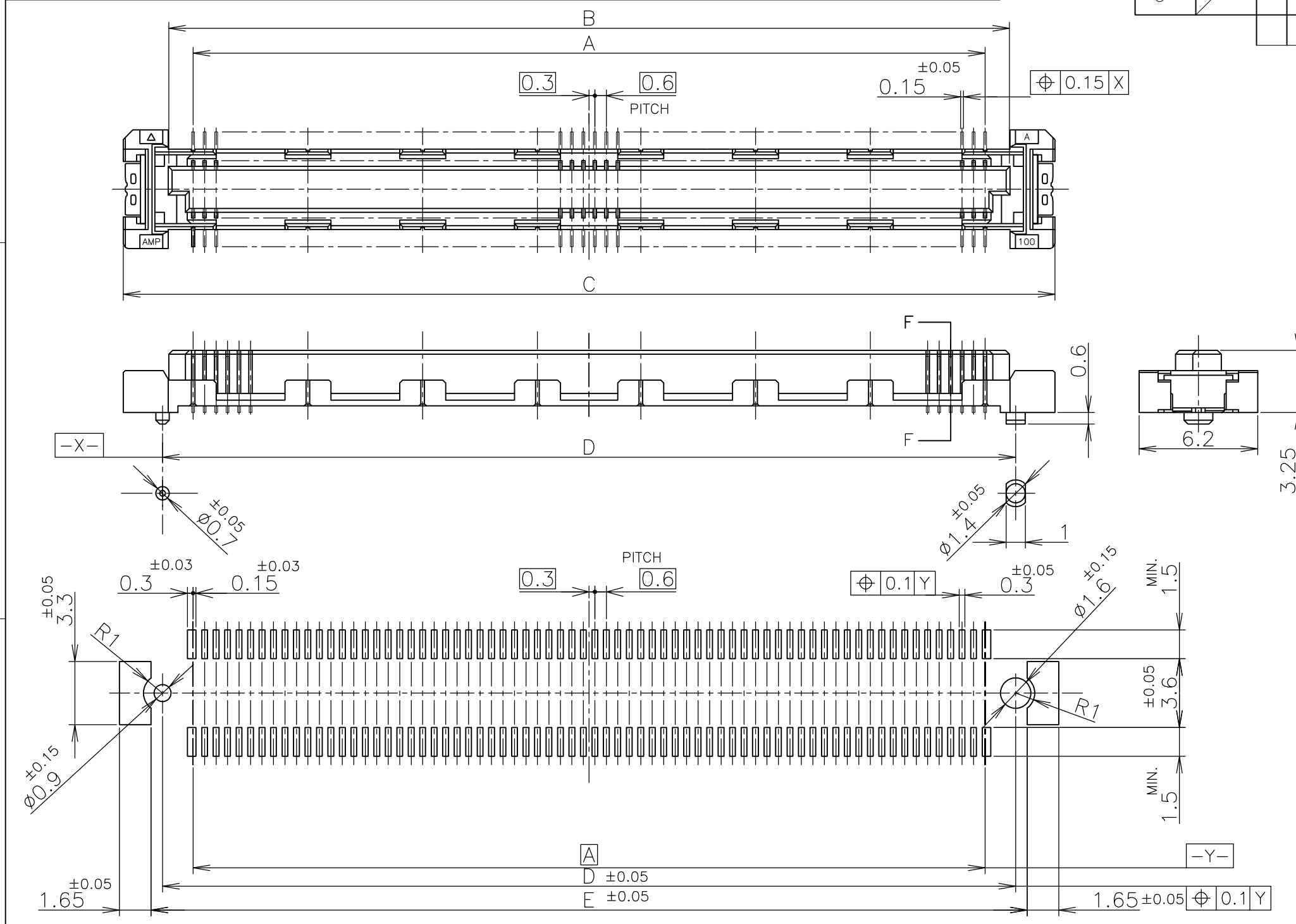
APPLICATION SPEC 取付適用規格
 114-5255

SIZE A3 CAGE CODE 00779 DRAWING NO. G-5316136 RESTRICTED TO

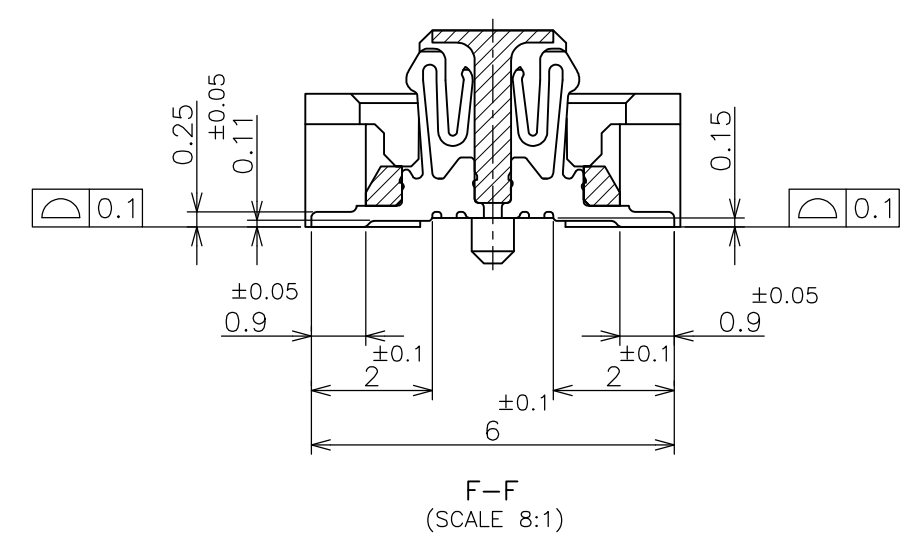
WEIGHT CUSTOMER DRAWING SCALE 1:2 SHEET 1 OF 2 REV B

THIS DRAWING IS UNPUBLISHED. RELEASED FOR PUBLICATION MAY, 1995.
 © COPYRIGHT 1995 BY TYCO ELECTRONICS CORPORATION. ALL RIGHTS RESERVED.

LOC	DIST	REVISIONS					
J		P	LTR	DESCRIPTION	DATE	DWN	APVD
			-	SEE SHEET 1	-	-	-



△ MATERIAL : HOUSING : HIGH TEMP THERMO PLASTIC UL94V-0
 CONTACT : COPPER ALLOY
 △ FINISH : UNDER PL Ni 0.0013mm MIN ALL OVER.
 CONTACT AREA 0.0002 MIN Au PL.
 SOLDERING AREA 0.00005 MIN Au PL.



REFERENCE P.C. BOARD LAYOUT

AVAILABLE	51.8	50.6	54.7	50	47.4	160
AVAILABLE	45.8	44.6	48.7	44	41.4	140
NOT AVAILABLE	39.8	38.6	42.7	38	35.4	120
	33.8	32.6	36.7	32	29.4	100
NOT AVAILABLE	30.8	29.6	33.7	29	26.4	90
AVAILABLE	27.8	26.6	30.7	26	23.4	80
AVAILABLE	24.8	23.6	27.7	23	20.4	70
NOT AVAILABLE	21.8	20.6	24.7	20	17.4	60
AVAILABLE	18.8	17.6	21.7	17	14.4	50
NOT AVAILABLE	15.8	14.6	18.7	14	11.4	40
NOT AVAILABLE	12.8	11.6	15.7	11	8.4	30
TOOLING STATUS	E	D	C	B	A	POS

THIS DRAWING IS A CONTROLLED DOCUMENT.		DWN	Tyco Electronics Corporation Kawasaki, Japan	
DIMENSIONS: 単位: 耗 mm		CHK	NAME 名称	
TOLERANCES UNLESS OTHERWISE SPECIFIED: 一般公差		APVD	TRAY ASSY FH 0.6BTB CONNECTOR REC 4H STD	
0 PLC ± 0.3 1 PLC ± 0.3 2 PLC ± 0.3 3 PLC ± 0.3 4 PLC ± 0.3 ANGLES ± 3'		PRODUCT SPEC 製品規格	SIZE	CAGE CODE
MATERIAL 材料		APPLICATION SPEC 取付適用規格	A3	00779
FINISH 仕上		WEIGHT	DRAWING NO 番号	RESTRICTED TO
△		G-5316136		
		CUSTOMER DRAWING		SCALE 尺度 4:1
		SHEET 2 OF 2		REV B

X-ON Electronics

Largest Supplier of Electrical and Electronic Components

Click to view similar products for [Board to Board & Mezzanine Connectors](#) category:

Click to view products by [TE Connectivity](#) manufacturer:

Other Similar products are found below :

[589158040000018](#) [MDF7C-18P-2.54DSA\(55\)](#) [FCN-230C068-11](#) [FCN-268F012-G/BD](#) [FCN-268F036-G/BD](#) [FCN-268M012-G/0D](#) [FCN-268M024-G/1D](#) [FCN-723J004/1](#) [MIS-048-01-F-D-DP-K](#) [832-10-034-10-001000](#) [FX4C-80S-1.27DSA](#) [FCN-214Q030-G/0](#) [FCN-234P048-G/0](#) [FCN-235D050-G/C](#) [210-93-314-41-105000](#) [2-22603-0](#) [MDF7-40DP-2.54DSA\(55\)](#) [AXG720047](#) [5031084030](#) [MIT-114-03-F-D-K](#) [55323-1519](#) [DF33-2P-3.3DSA\(24\)](#) [YFT-20-05-H-03-SB-K](#) [503308-3040](#) [026-6203-PDB](#) [027-6203-PDB](#) [069159702701000](#) [10123981-102LF](#) [101A10019X](#) [55650-0588-C](#) [68682-310LF](#) [68684-306](#) [75140-7012](#) [87471-650](#) [194261-1](#) [FCN-268F024-G0D](#) [10124054-515LF](#) [68685-603](#) [8-1616154-3](#) [MIS-019-01-F-D](#) [FCN-268M024-G/3D](#) [20021832-06016C1LF](#) [KX15-20KLDL-E1000E](#) [MDF7-16DP-2.54DSA\(55\)](#) [AXE810124](#) [FCN-214J100-G/0](#) [FCN-230C068-E/S](#) [AXE812124](#) [AXE816124](#) [AXE720127](#)