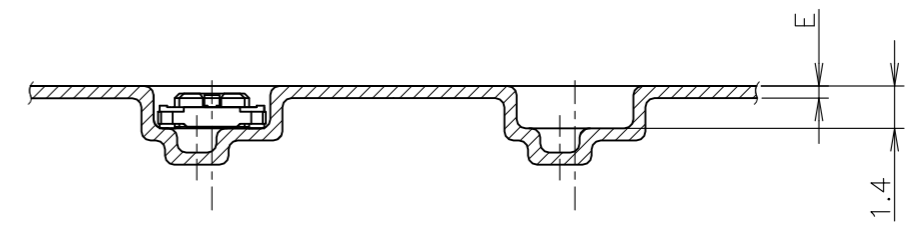
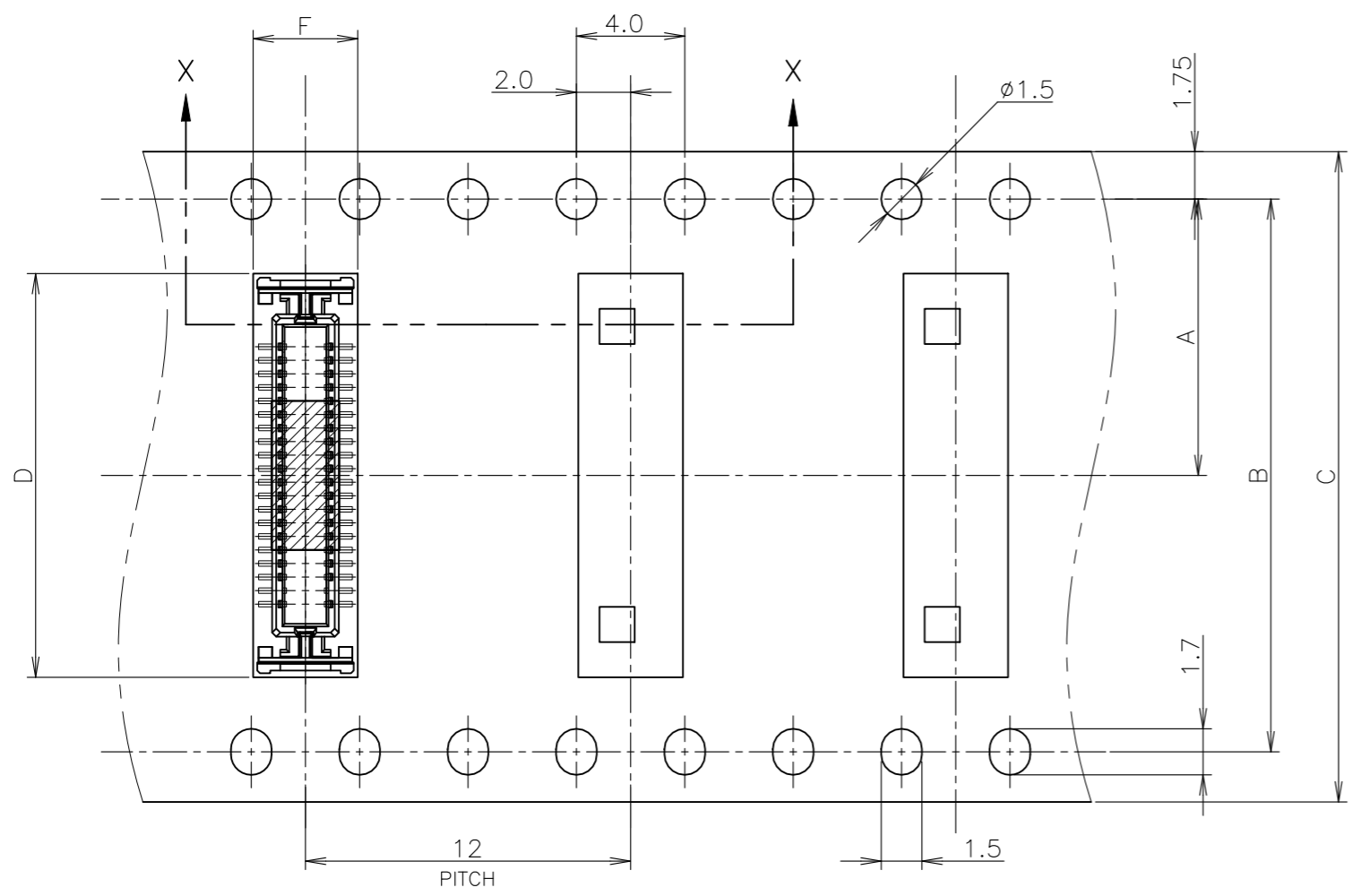


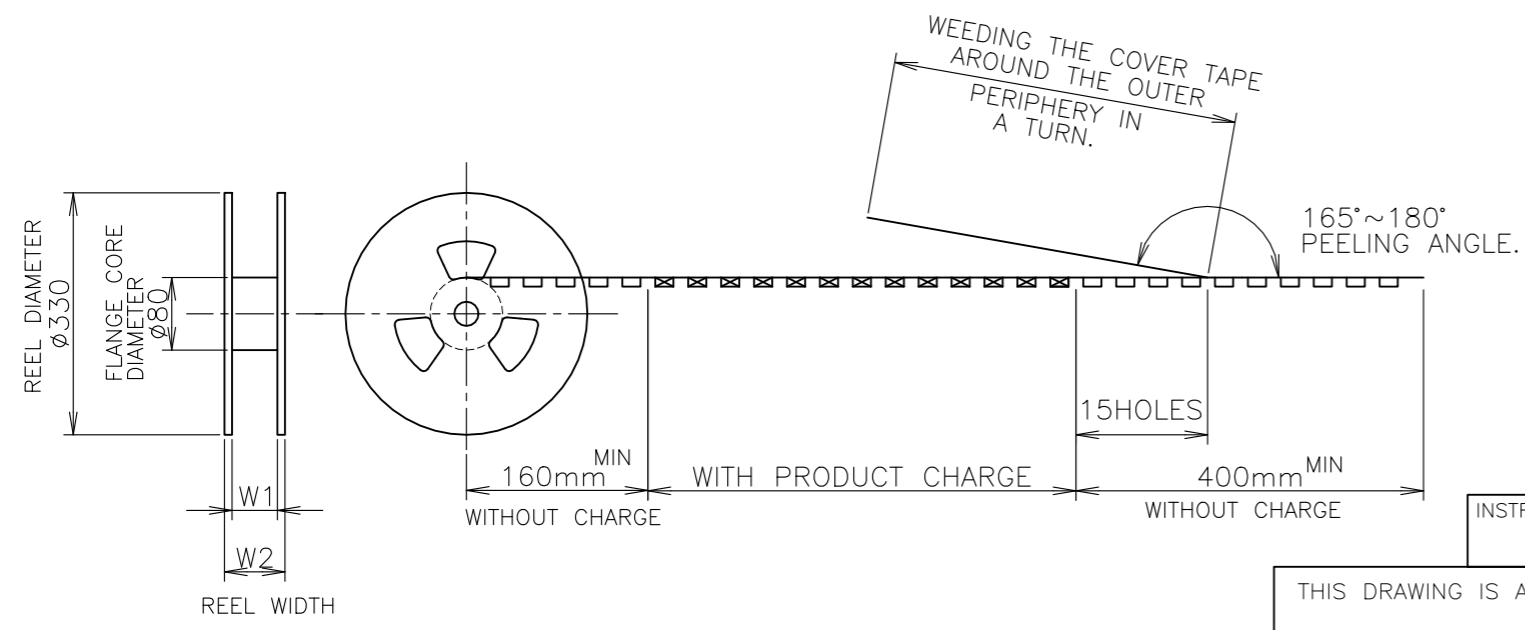
REVISIONS 変更					
P	LTR	DESCRIPTION	DATE	DWN	APVD
H1		REVISED PER ECN-21-103436	11OCT2021	AL	HL
H		ECR-13-012512	09AUG2013	IT	WKH



- 1 MATING COUNTER PART NUMBER: 5353158
- ② MATERIAL  
HOUSING: HIGH HEAT-RESISTED  
CONTACT: COPPER ALLOY (t=0.15), Au-PLT  
SOLDER PEG: COPPER ALLOY (t=0.15), TIN-PLT
- ③ CONTACT: CONTACT POINT Au-PLT. 0.00076 MIN.
- ④ HSG: LCP VERSION
- ⑤ SUPERSEDED LIST

FROM	TO
7-5353164-0	7-5353164-7
7-5353164-5	7-5353164-6
8-5353164-0	8-5353164-6

TOP OF REEL →



④	48.7	45.5	3.86	0.4	24.9	44	40.4	20.2	1500	80	8-5353164-7
④	48.7	45.5	3.86	0.4	24.9	44	40.4	20.2	1500	80	8-5353164-6
OBSOLETE	48.7	45.5	3.86	0.4	24.9	44	40.4	20.2	1500	80	8-5353164-5
⑤	48.7	45.5	3.86	0.4	24.9	44	40.4	20.2	1500	80	8-5353164-0
④	48.7	45.5	3.86	0.4	22.4	44	40.4	20.2	1500	70	7-5353164-7
④	48.7	45.5	3.86	0.4	22.4	44	40.4	20.2	1500	70	7-5353164-6
⑤	48.7	45.5	3.86	0.4	22.4	44	40.4	20.2	1500	70	7-5353164-5
⑤	48.7	45.5	3.86	0.4	22.4	44	40.4	20.2	1500	70	7-5353164-0
④	37.5	33.5	3.8	0.4	19.85	32	28.4	14.2	1500	60	6-5353164-6
	37.5	33.5	3.8	0.4	19.85	32	28.4	14.2	1500	60	6-5353164-5
OBSOLETE	37.5	33.5	3.8	0.4	19.85	32	28.4	14.2	1500	60	6-5353164-0
OBSOLETE	29.5	25.5	3.8	0.4	17.35	24	—	11.5	1500	50	5-5353164-5

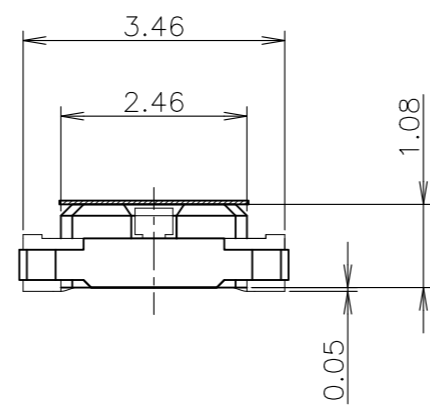
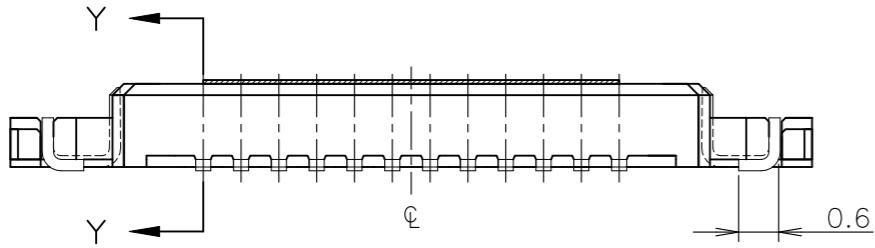
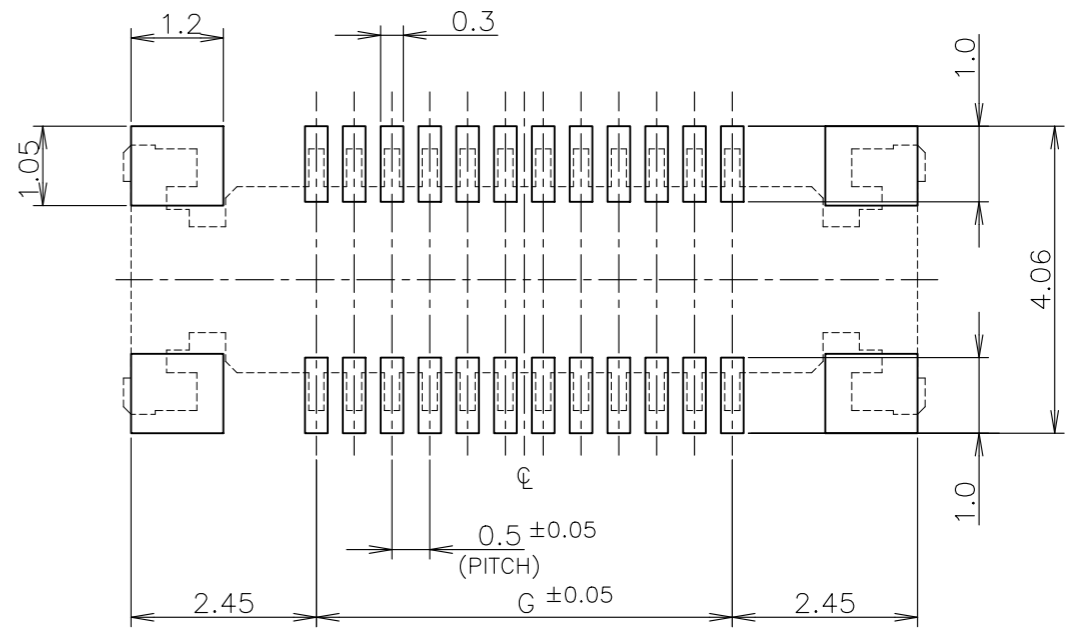
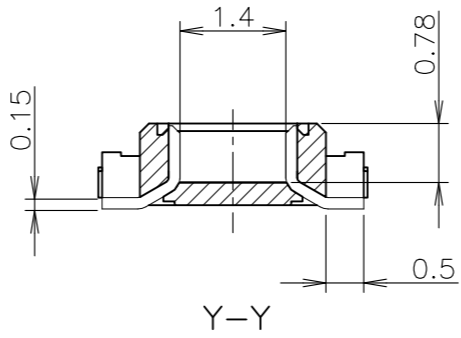
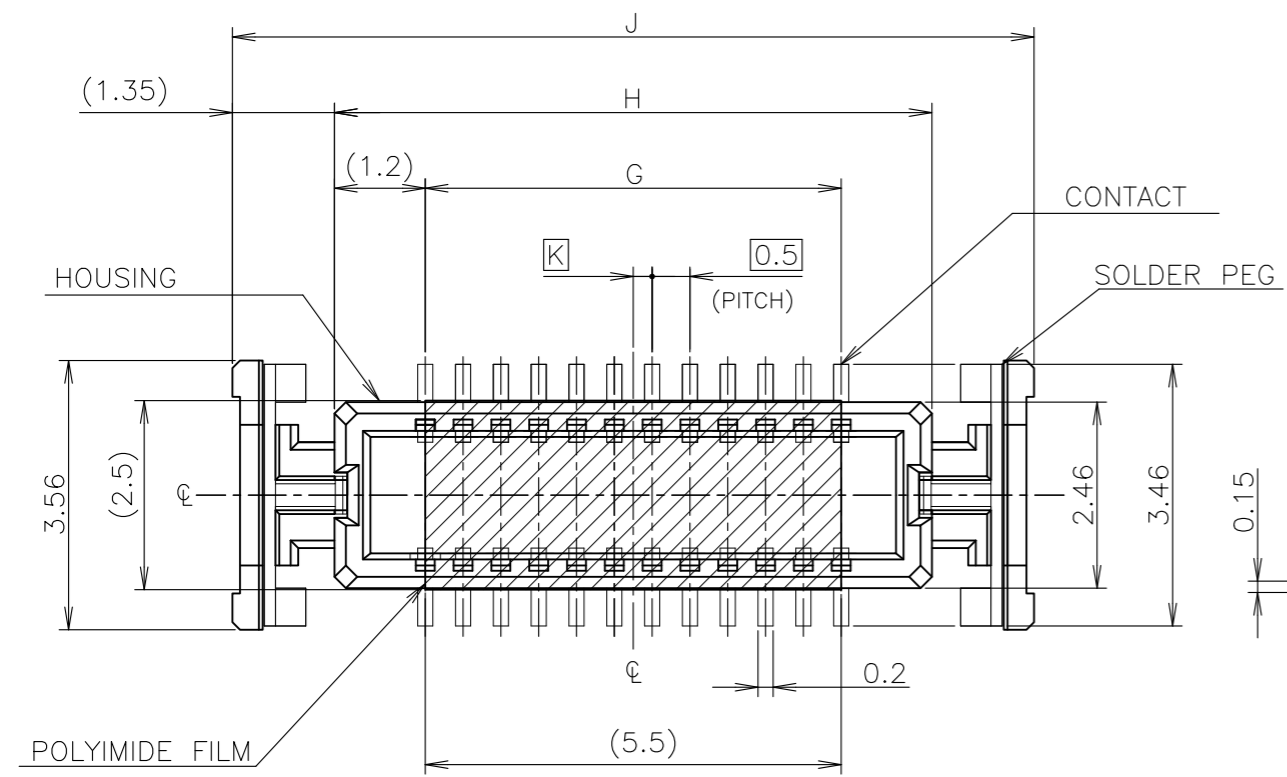
INSTRUCTION SHEET  
411-5781

W2	W1	F	E	D	C	B	A	QTY/REEL	POS	TAPING P/N

THIS DRAWING IS A CONTROLLED DOCUMENT.

DWN J.ZHU 04NOV2004	TE Connectivity Ltd.  ON TAPING EMBOSS 0.5mm PITCH FS CONN. TAB ASSEMBLY WITH FILM	
CHK S.YAO 04NOV2004		
APVD I.ENOMOTO 04NOV2004		
NAME I.ENOMOTO		
PRODUCT SPEC 製品規格 108-60048	SIZE A3	
APPLICATION SPEC 取付適用規格	CAGE CODE 00779	
WEIGHT	DRAWING NO C-5353164	
CUSTOMER DRAWING		RESTRICTED TO
SCALE 尺度 4:1		SHEET 1 OF 2
REV H1		

P	LTR	DESCRIPTION	DATE	DWN	APVD
-	-	SEE SHEET 1	-	-	-



△4	△3	0.25	24.6	21.9	19.5	80	8-5353164-7	
△4	△3	0.25	24.6	21.9	19.5	80	8-5353164-6	
OBSOLETE	△3	<del>0.25</del>	<del>24.6</del>	<del>21.9</del>	<del>19.5</del>	<del>80</del>	<del>8-5353164-5</del>	
	△5	<del>0.25</del>	<del>24.6</del>	<del>21.9</del>	<del>19.5</del>	<del>80</del>	<del>8-5353164-0</del>	
⊕H1	△4	<del>//</del>	<del>22.1</del>	<del>19.4</del>	<del>17</del>	<del>70</del>	<del>7-5353164-7</del>	
△4	△3	<del>//</del>	<del>22.1</del>	<del>19.4</del>	<del>17</del>	<del>70</del>	<del>7-5353164-6</del>	
△5	△3	<del>//</del>	<del>22.1</del>	<del>19.4</del>	<del>17</del>	<del>70</del>	<del>7-5353164-5</del>	
	△5	<del>//</del>	<del>22.1</del>	<del>19.4</del>	<del>17</del>	<del>70</del>	<del>7-5353164-0</del>	
⊕H1	△4	△3	0.25	19.6	16.9	14.5	60	6-5353164-6
	△3	0.25	19.6	16.9	14.5	60	6-5353164-5	
OBSOLETE		<del>0.25</del>	<del>19.6</del>	<del>16.9</del>	<del>14.5</del>	<del>60</del>	<del>6-5353164-0</del>	
OBSOLETE		<del>//</del>	<del>17.1</del>	<del>14.4</del>	<del>12.0</del>	<del>50</del>	<del>5-5353164-5</del>	

INSTRUCTION SHEET	K	J	H	G	POS.	PART NO.
411-5781	DIMENSION					

THIS DRAWING IS A CONTROLLED DOCUMENT.

DIMENSIONS:	TOLERANCES UNLESS OTHERWISE SPECIFIED:
單位: 耗 mm	一般公差
0 PLC	± 0.2
1 PLC	± 0.2
2 PLC	± 0.2
3 PLC	± 0.2
4 PLC	± 0.2
ANGLES	± 3°
MATERIAL	FINISH
材料	仕上

DWN  
CHK  
APVD  
PRODUCT SPEC  
製品規格  
APPLICATION SPEC  
取付適用規格  
WEIGHT

NAME  
名称  
ON TAPING EMBOSS  
0.5mm PITCH FS CONN.  
TAB ASSEMBLY WITH FILM

SIZE	CAGE CODE	DRAWING NO	RESTRICTED TO
A3	00779	C-5353164	-

CUSTOMER DRAWING

SCALE 10:1 SHEET 2 OF 2 REV H1

## X-ON Electronics

Largest Supplier of Electrical and Electronic Components

*Click to view similar products for [Board to Board & Mezzanine Connectors](#) category:*

*Click to view products by [TE Connectivity](#) manufacturer:*

Other Similar products are found below :

[589158040000018](#) [MDF7C-18P-2.54DSA\(55\)](#) [FCN-268F036-G/BD](#) [FCN-268M012-G/0D](#) [FCN-268M024-G/1D](#) [FCN-723J004/1](#) [MIS-048-01-F-D-DP-K](#) [832-10-034-10-001000](#) [FX4C-80S-1.27DSA](#) [93696-330](#) [224393](#) [FCN-235D050-G/C](#) [210-93-314-41-105000](#) [2-22603-0](#) [MDF7-40DP-2.54DSA\(55\)](#) [5031084030](#) [MIT-114-03-F-D-K](#) [55323-1519](#) [503308-3040](#) [026-6203-PDB](#) [027-6203-PDB](#) [069159702701000](#) [101A10019X](#) [105061100000861+](#) [55650-0588-C](#) [75140-7012](#) [87471-650](#) [YTW-30-07-H-Q-410-140](#) [YTT-112-01-H-Q](#) [063209](#) [FCN-268F024-G0D](#) [10124054-515LF](#) [68685-603](#) [8-1616154-3](#) [MIS-019-01-F-D](#) [YTQ-12103HQ](#) [541371078](#) [IL-WX-10PB-HF-B-E1000E](#) [YFT-50-05-H-10-SB-K](#) [FCN-268M024-G/3D](#) [FCN-214J100-G/0](#) [FCN-230C068-E/S](#) [354184](#) [P50-028-DDS-TG](#) [53309-2471](#) [54546-2071](#) [1586617-1](#) [504208-1010](#) [504208-3010](#) [504208-5010](#)