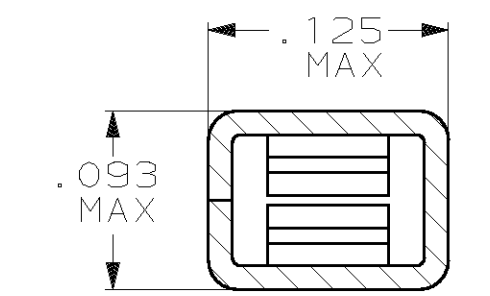
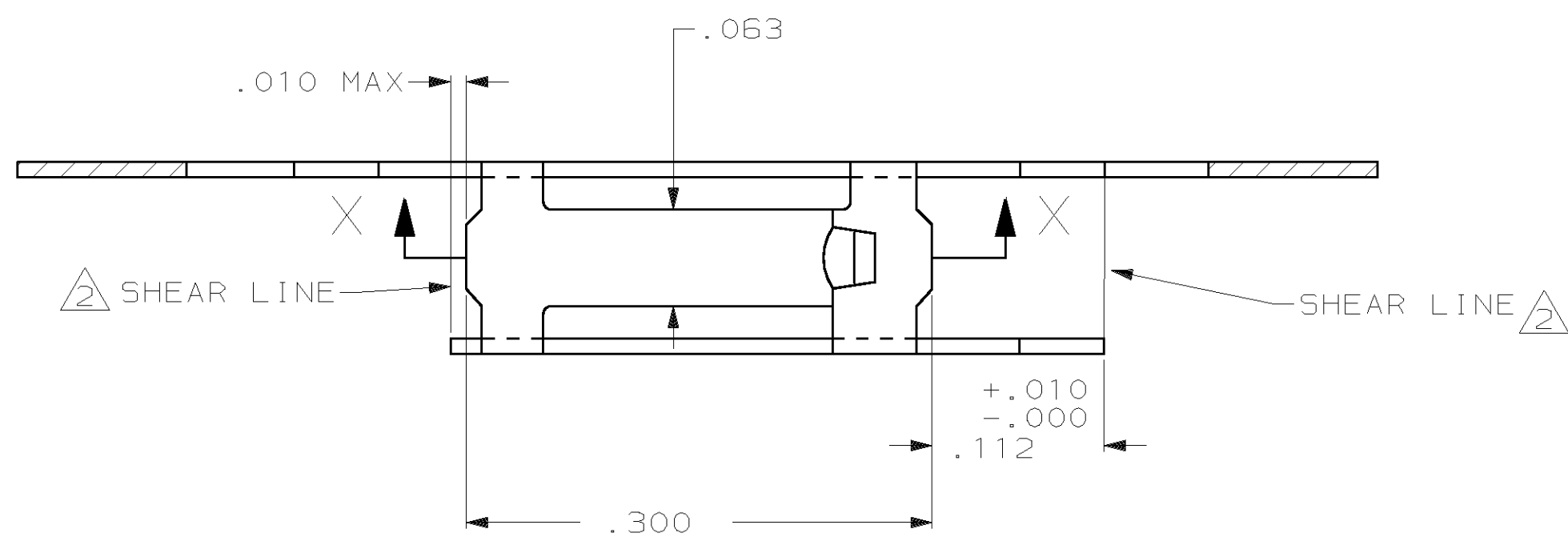
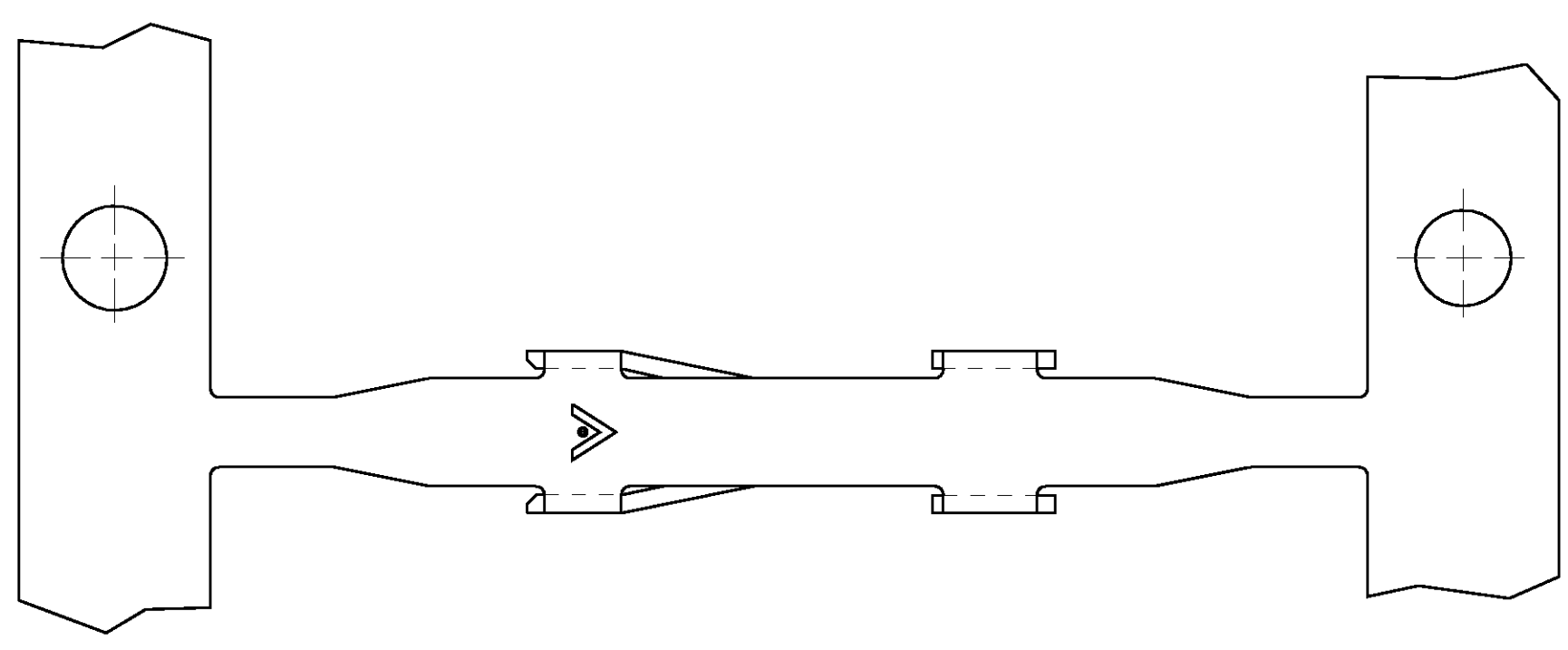
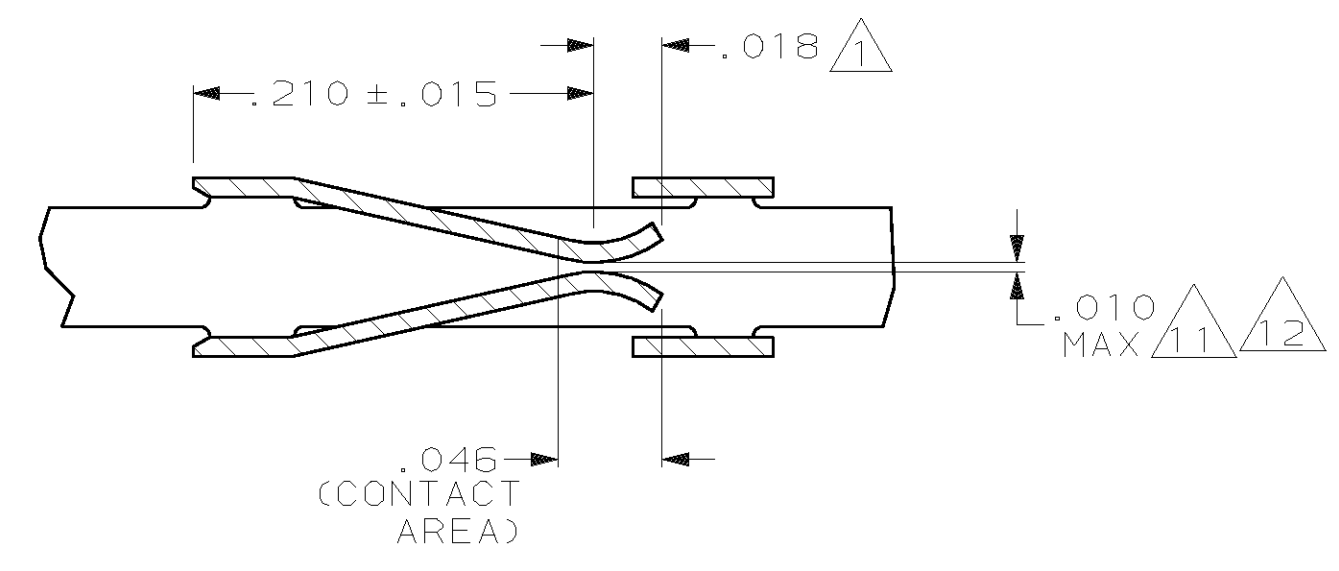
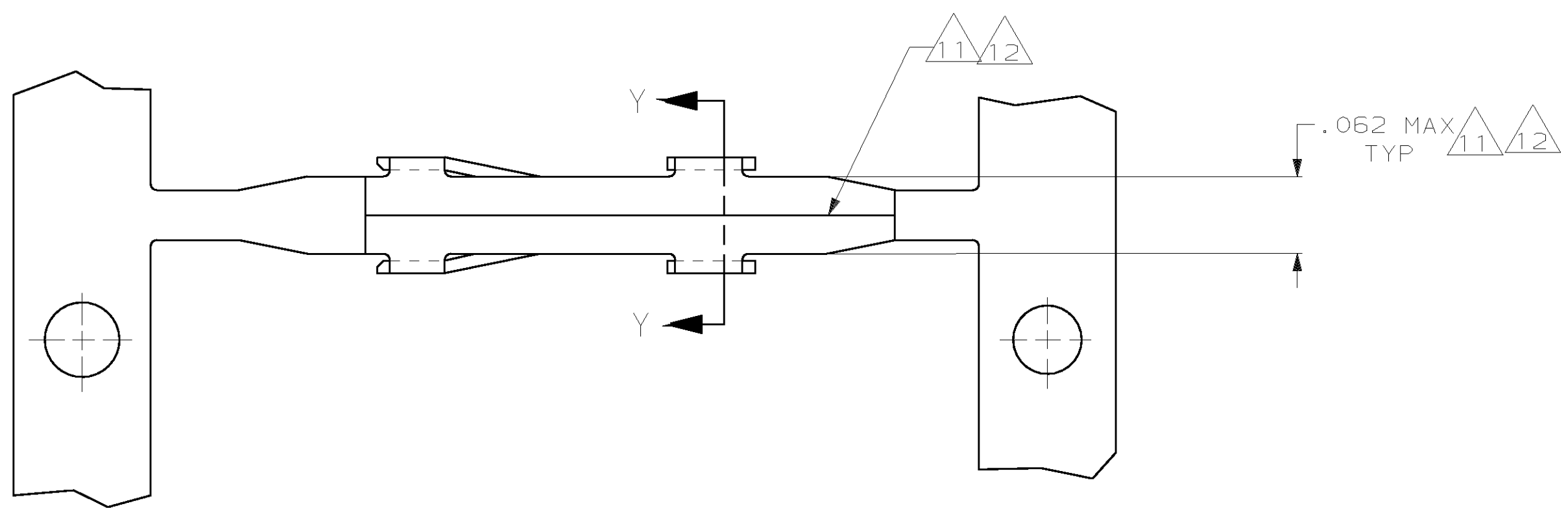


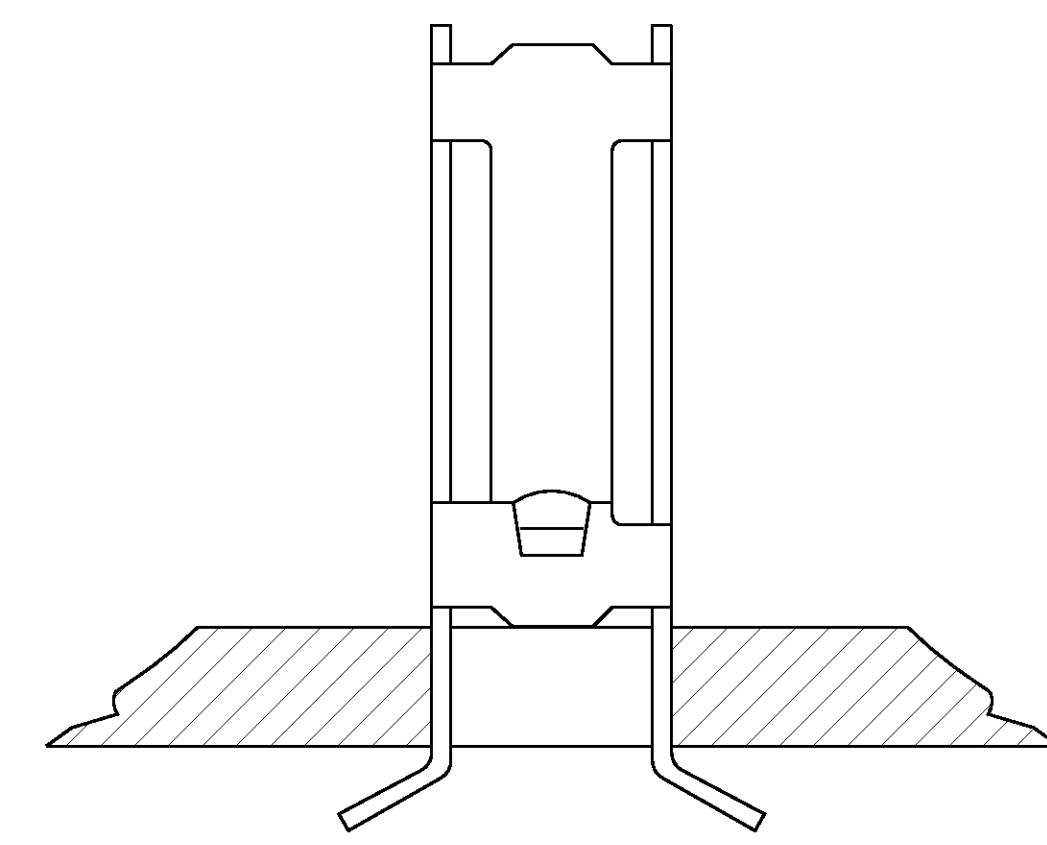
MOD	LOC	DIST	P	F	ZONE	LTR	DESCRIPTION	DATE	APPD
27	AD	39					REV REDRAWN PER AR2730	10-17-89	-
							REV PER ECN AR2785	11-10-89	JPG
							REV LOC & DIST AD-4171	3-90	BF
							REV PER 0010-1410-93	1-8-94	SS
							REV PER 0010-1103-93	3-16-94	SAS
							REV PER 0010-1175-95	12-30-96	JH
							REV PER EC 063C-230-02	23JUL02	DS



SECTION Y-Y



SECTION X-X



TYPICAL APPLICATION

- 1 POINT OF MEASUREMENT FOR PLATING THICKNESS (INSIDE BEAMS)
- 2 SHEAR LINES DEFINE LOOSE PIECE PART.
- 3 PLAIN.
- 4 .000030 GOLD OVER .000050 NICKEL ENTIRE TERMINAL.
- 5 TIN PLATED.
- 6 GOLD FLASH OVER .000050 NICKEL ENTIRE TERMINAL, .000030 GOLD IN CONTACT AREA ONLY.
- 7 GOLD FLASH OVER .000050 NICKEL ENTIRE TERMINAL, .000015 GOLD IN CONTACT AREA ONLY.
- 8 .000015 GOLD IN CONTACT AREA, .000100-.000200 BRIGHT TIN-LEAD ON TERMINATION AREA, ALL OVER .000050 NICKEL ENTIRE TERMINAL.
- 9 .000030 GOLD IN CONTACT AREA, .000100-.000200 BRIGHT TIN-LEAD ON TERMINATION AREA, ALL OVER .000050 NICKEL ENTIRE TERMINAL.
- 10 OBSOLETE PART NUMBER.
- 11 .005 SEAM OPENING PERMISSIBLE
- 12 NOTED DIMENSIONS CHECKED WITH .000 SEAM OPENING.

FINISH	REEL FOR APPLICATOR	LOOSE PIECE PART NO	PART NUMBER
3		85424-1	85489-1
4		85424-2	85489-2
5		85424-3	85489-3
6		85424-4	85489-4
7		85424-5	85489-5
8		85424-6	85489-6
9		85424-7	85489-7

DO NOT SCALE PRINT. UNLESS SPECIFIED DIMENSIONS IN INCHES TOLERANCES ON:		DR 10-17-89 D KEITZER		AMP INCORPORATED Harrisburg, Pa. 17105	
2 PLC DEC ± .005		CHK 10-23-89 SCOTT A SHUEY		NAME	
3 PLC DEC ± .005		APPD 10-23-89 MARIAN P CLARK		RECEPTACLE, MOD I, STANDARD PRESSURE, TYPE B	
ANGLES ± -		APPD 10-23-89 B FLINCHBAUGH		SIZE	
MATERIAL		PRODUCT SPEC		D 00779	
PHOS. BRONZE		APPLICATION SPEC		CAGE CODE	
SEE TABLE		-		00779	
FINISH		WEIGHT		DRAWING NO	
-		-		85489	
SCALE 10:1		SHEET 1 OF 1		PART NO	

X-ON Electronics

Largest Supplier of Electrical and Electronic Components

Click to view similar products for [Headers & Wire Housings](#) category:

Click to view products by [TE Connectivity](#) manufacturer:

Other Similar products are found below :

[892-18-020-10-001101](#) [58102-G61-06LF](#) [582553-1](#) [0009485154](#) [009176003701906](#) [0050291907](#) [LY20-4P-DT1-P1E-BR](#) [02.125.8002.8](#)
[609-3404](#) [61062-3](#) [61082-181009](#) [622-3653LF](#) [63453-116](#) [636-1030](#) [636-1427](#) [636-3427](#) [636-4007](#) [641938-9](#) [641991-4](#) [644827-2](#) [65817-010LF](#) [65817-015LF](#) [65863-015LF](#) [66207-023LF](#) [67095-007LF](#) [67601157](#) [68645-018](#) [68648-049](#) [70.362.1628.0](#) [70-4210](#) [70-4226B](#) [70-4853B](#) [707-5020](#) [707-5028](#) [71.350.2428.0](#) [71918-208LF](#) [71961-016LF](#) [733-134](#) [733-162](#) [754199-000](#) [760-3052](#) [787-8014-00](#) [79531-3000](#)
[FCN-360C032-B](#) [FCN-367T-T012/H](#) [FCN-723D010/2](#) [80.063.4001.1](#) [800-90-001-10-001000](#) [800-90-010-10-002000](#) [801-43-002-10-013000](#)