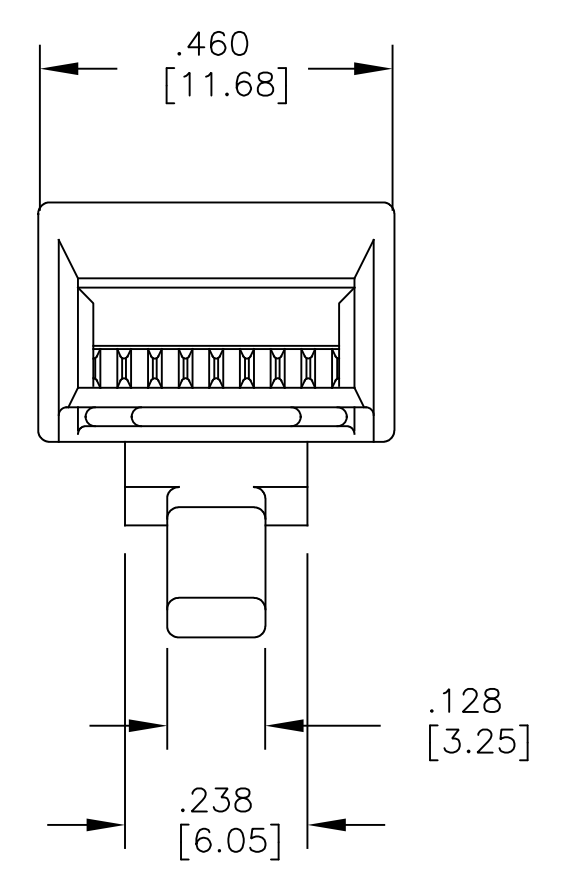
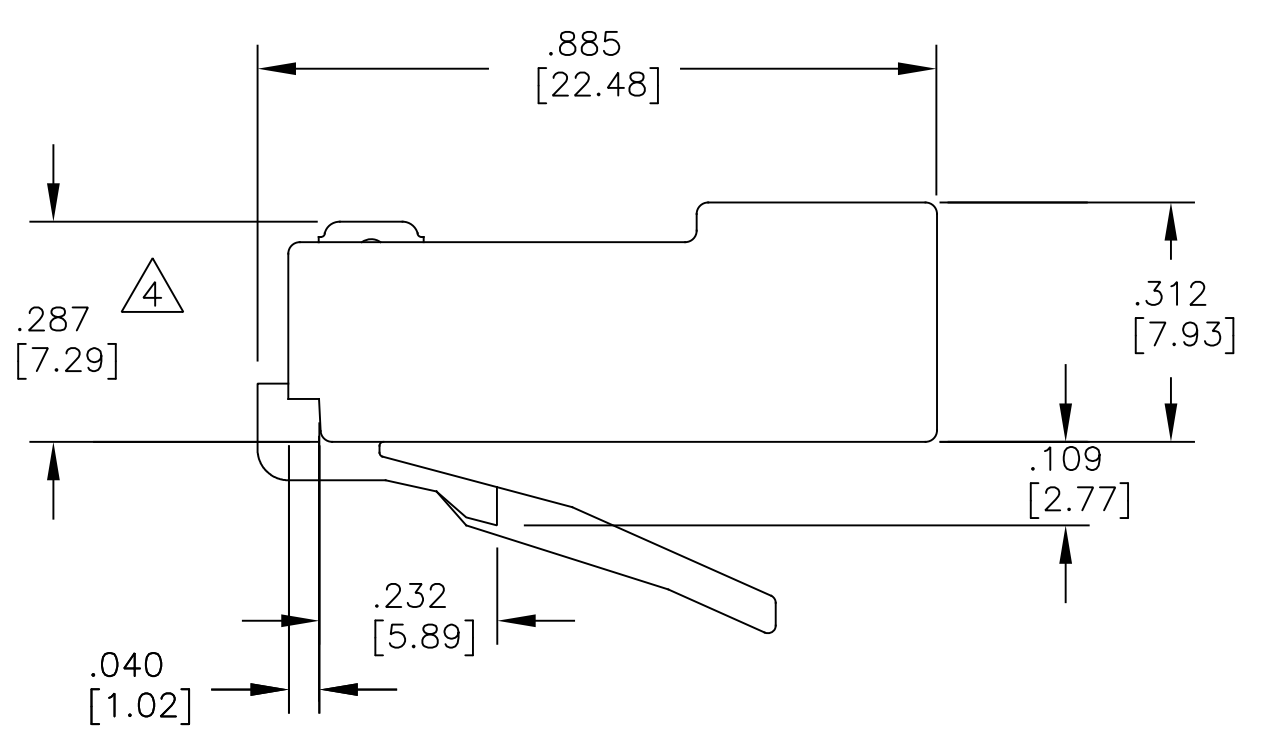
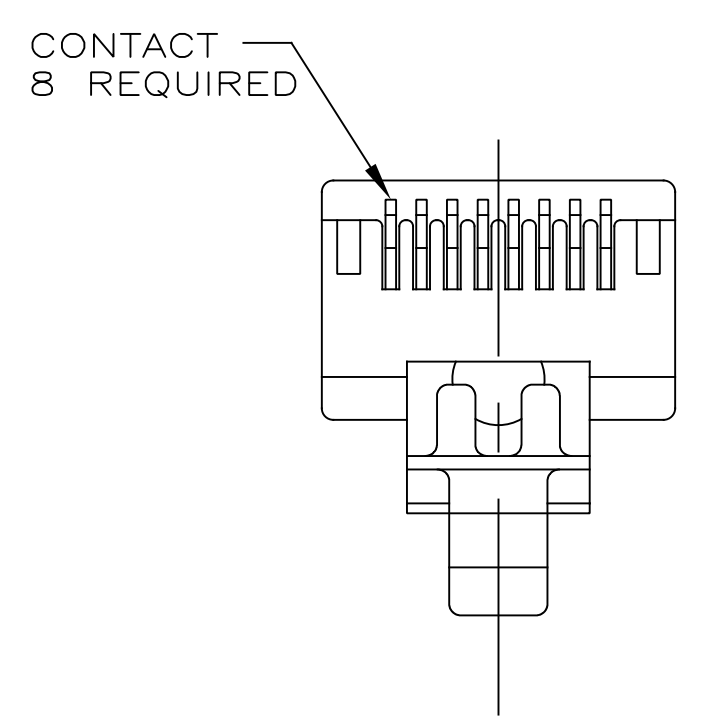
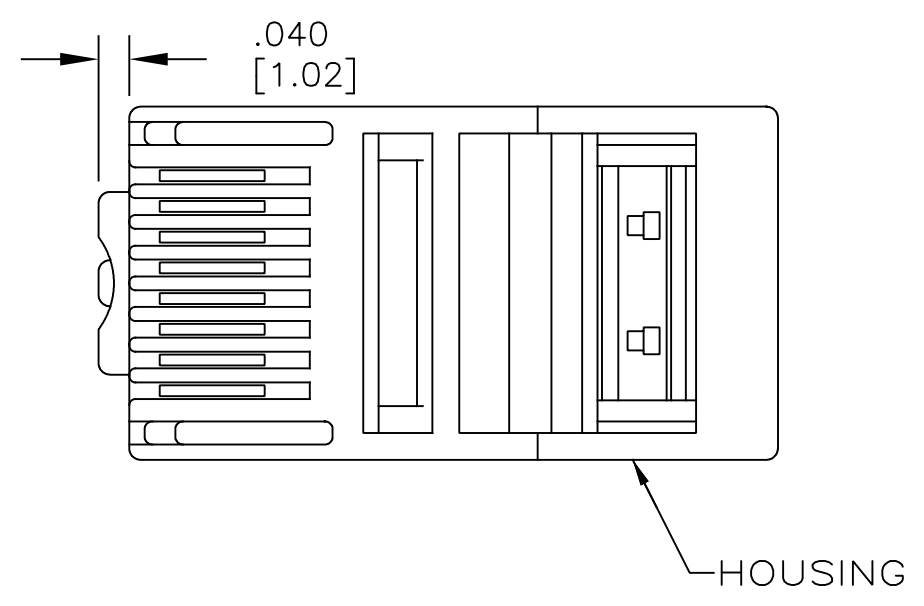


REVISIONS				
P	LTR	DESCRIPTION	DATE	OWN APVD
B		REV. MCO-40026563MCO	16NOV2015	HG JG
C		REV PER ECN BNS_CD_BRAND	21JAN2017	GG DC
D		40060283CMO	07MAR2018	GG MS

# MP-88U-F

PACKAGE SIZE 5 = 500 1 = 100	COUNTRY CODE KO = KOREA CH = CHINA TW = TAIWAN
------------------------------------	---

1. DIMENSIONS ARE NOMINAL UNLESS OTHERWISE SPECIFIED.
2. MATERIAL: HOUSING- POLYCARBONATE, CLEAR TERMINAL- .305 [.012] THICK PHOSPHOR BRONZE PLATED WITH 1.27[M [.00005] MINIMUM THICK GOLD IN LOCALIZED PLATE AREA OVER 2.54[M [.000100] MINIMUM THICK NICKEL UNDERPLATE.
3. PLUGS WILL ACCEPT 24 TO 26 AWG SOLID OR STRANDED CONDUCTORS WITH A SINGLE INSULATION DIAMETER OF 0.86-0.99[.034-.039].
4. TERMINATED DIMENSION 5.89 [.232] - 6.15 [.242].
5. UL RECOGNIZED FILE NUMBER E114344.



UNSHIELDED MOD PLUG

PACKAGE	COUNTRY	MATERIAL	CATALOG NO.
100	KOREA	7-554720-3	MP-88U-F-1-KO
100	CHINA	8-554720-3	MP-88U-F-1-CH
100	TAIWAN	9-554720-3	MP-88U-F1-TW
50	INDONESIA	6-554720-2	MP-88U-F-5

THIS DRAWING IS A CONTROLLED DOCUMENT.

DWG: H.GAUL CHK: J.GENIAC APPD: J.GENIAC	20AUG2015 20AUG2015 20AUG2015	<b>COMMSCOPE, INC.</b>
NAME: KIT, MOD PLUG, 8 POSITION, 8 CONTACTS		
DIMENSIONS: INCHES [mm]	TOLERANCES UNLESS OTHERWISE SPECIFIED:	PRODUCT SPEC: 108-1163 APPLICATION SPEC: 114-6016
0 PLC ± -	1 PLC ± -	
1 PLC ± -	2 PLC ± -	SIZE: A1
2 PLC ± -	3 PLC ± .005	CAGE CODE: -
3 PLC ± -	4 PLC ± -	DRAWING NO: ©=2843029
4 PLC ± -	ANGLES ± -	RESTRICTED TO: -
MATERIAL:	FINISH:	WEIGHT: -
CUSTOMER DRAWING		SCALE: 4:1
		SHEET 1 OF 1
		REV D

## X-ON Electronics

Largest Supplier of Electrical and Electronic Components

*Click to view similar products for [Modular Connectors / Ethernet Connectors](#) category:*

*Click to view products by [TE Connectivity](#) manufacturer:*

Other Similar products are found below :

[8949-H88/06BLKA/SN](#) [74441-0010/BKN](#) [PHP-6P6C-5](#) [GAX-3-66](#) [GDCX-PN-66](#) [GLX-A-44](#) [GLX-N-1010M-BLK](#) [GLX-S-88M-BLK](#)  
[GMX-SMT4-N-88](#) [GSGX-N-2-88](#) [GSGX-N-4-88](#) [GSX-NS2-88-3.05](#) [GSX-NS-88-3.68](#) [PT-108A-8C-UL](#) [PTS-J531-8CS-50UL](#) [A-2014-0-4](#)  
[GWLX-S9-88-YG](#) [DC-1021-8-WH-6](#) [1300530003](#) [1324640-4](#) [132764-001](#) [1413235](#) [MPS88RX-5000](#) [E5288-S000K3-L](#) [155302-001](#)  
[AX101050](#) [AX101063](#) [AX101065](#) [AX101072](#) [AX101307](#) [AX101315](#) [AX101318](#) [AX102271](#) [AX102651](#) [AX102660](#) [AX104024](#) [203475](#)  
[J0026D01ENL](#) [PC4D0018P](#) [KIT38082NI](#) [8949-B88/6](#) [2-6609208-5](#) [30-8603](#) [30-8956](#) [30-8964-100](#) [SM85](#) [17-103540](#) [191587](#) [PDI-68-RV](#)  
[PHP-8P8C-S-5](#)