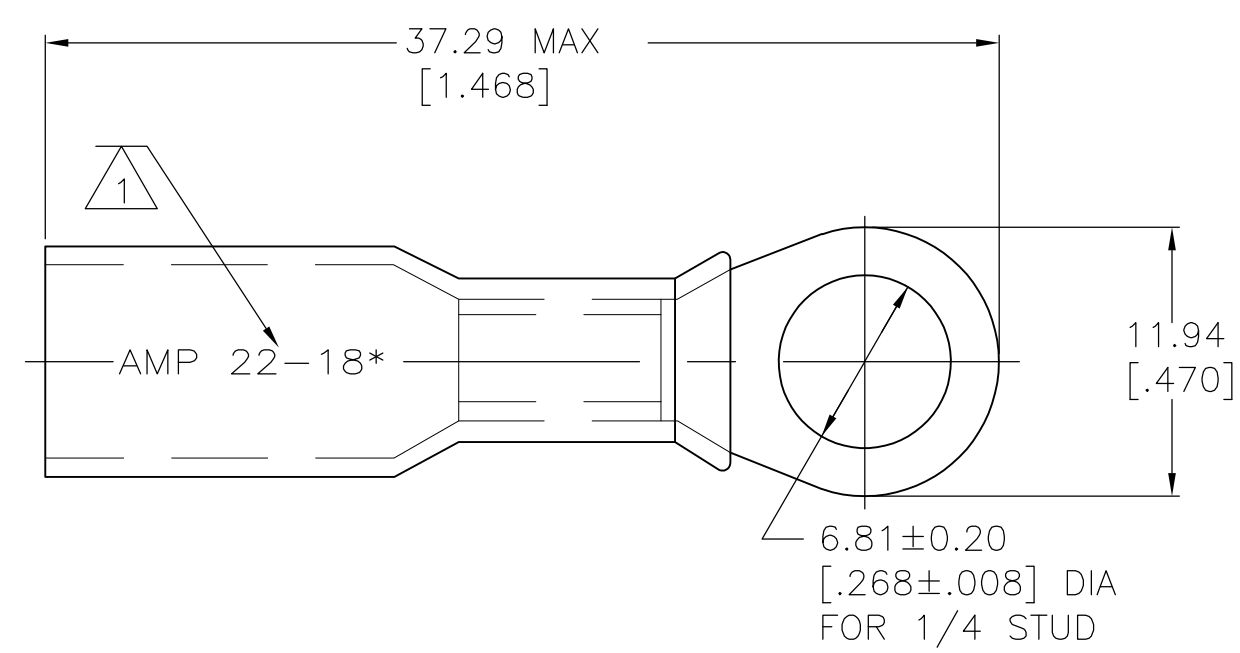


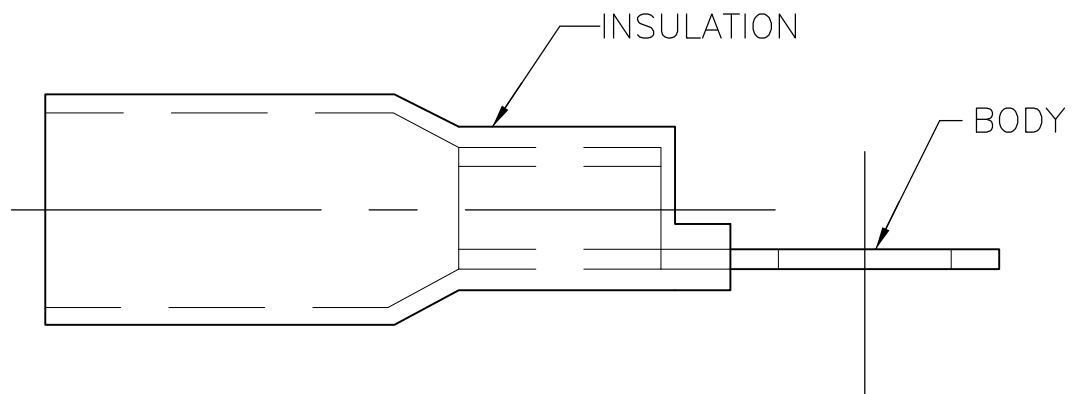
THIS DRAWING IS UNPUBLISHED. RELEASED FOR PUBLICATION
 © COPYRIGHT BY TYCO ELECTRONICS CORPORATION. ALL INTERNATIONAL RIGHTS RESERVED.

| LOC | DIST | REVISIONS | | | | | |
|-----|------|-----------|-----|---------------------------|---------|-----|------|
| | | P | LTR | DESCRIPTION | DATE | DWN | APVD |
| G | 14 | | D | REVISED PER ECR-09-027352 | 17FEB10 | JR | TM |



- 1 STAMP AMP 22-18* APPROX AS SHOWN
- 2 WIRE INSULATION DIA 4.32 [.170] MAX
- 3 TONGUE MATERIAL THK 0.76±0.05 [.030±.002]

| |
|--------------------------|
| AMP WIRE RANGE |
| 22-18 AWG STRANDED |



| | | |
|------|--------------|-----------|
| 50 | LOOSE PIECE | 8-55849-2 |
| 1000 | LOOSE PIECE | 55849-1 |
| QTY | PACKAGE TYPE | PART NO |

| | |
|-------------------------------------------------------------------------------------------|----------------------------------------------|
| AMP INCORPORATED CUSTOMER SERVICE SYSTEMS | |
| FOR ADDITIONAL PRODUCT INFORMATION OR COPIES OF DRAWINGS AND TECHNICAL DOCUMENTS | PRODUCT INFORMATION CENTER 1-800-522-6752 |
| FOR APPLICATION TOOLING INFORMATION | TOOLING ASSISTANCE CENTER 1-800-722-1111 |
| FOR ORDER ENTRY | 1-800-526-5142 |

| |
|-------------------------------------------------------------------------------|
| MAX RECOMMENDED OPERATING TEMPERATURE: 125° C MAX |
| VOLTAGE RATING: 600V MAX (BUILDING WIRING) 1000V MAX (FIXTURES & SIGNS) |
| CIRCULAR MIL AREA: 0.26-0.96² [509-1900] STRANDED |

| | |
|----------------------------------------------------------------------|--------------------------------------------------------------------------------------|
| THIS DRAWING IS A CONTROLLED DOCUMENT. | |
| DIMENSIONS: mm [INCHES] | TOLERANCES UNLESS OTHERWISE SPECIFIED: |
| | 0 PLC ± - 1 PLC ± - 2 PLC ± 0.20[.008] 3 PLC ± - 4 PLC ± - ANGLES ± - |
| MATERIAL BODY: ETP COPPER INSULATION: POLYOLEFIN COLOR: RED | FINISH EDP TIN PLATED |

| |
|------------------------------|
| DWN S S GOULDEN 6/93 |
| CHK R HERSEY 6/93 |
| APVD B BARE 6/93 |
| PRODUCT SPEC |
| APPLICATION SPEC 408-4022 |
| WEIGHT - |

| | | | | | |
|------------------------------------------------------------|--------------------|-----------------------|--------------------|-----------------------------------------------------------|----------|
| | | | | Tyco Electronics Corporation Harrisburg, PA 17105-3608 | |
| NAME TERMINAL, RING TONGUE, SEALABLE HEAT SHRINKABLE | | | | | |
| SIZE A3 | CAGE CODE 00779 | DRAWING NO C-55849 | RESTRICTED TO - | | |
| CUSTOMER DRAWING | | | SCALE NTS | SHEET 1 OF 1 | REV D |

X-ON Electronics

Largest Supplier of Electrical and Electronic Components

Click to view similar products for [Terminals](#) category:

Click to view products by [TE Connectivity](#) manufacturer:

Other Similar products are found below :

[00-054007-01074-6](#) [00-054007-70206-1](#) [00-054007-70210-8](#) [00-054007-70217-7](#) [00-054007-70226-9](#) [00-054007-70228-3](#) [00-054007-70248-1](#) [00-054007-70256-6](#) [00-054007-70301-3](#) [00-054007-70316-7](#) [00-054007-49560-4](#) [00-054007-70209-2](#) [00-054007-70225-2](#) [00-054007-70227-6](#) [00-054007-70231-3](#) [00-054007-70241-2](#) [00-054007-70242-9](#) [00-054007-70244-3](#) [00-054007-70246-7](#) [00-054007-70263-4](#) [00-054007-70288-7](#) [00-054007-70290-0](#) [00-054007-70300-6](#) [00-054007-70304-4](#) [01-2065-1-0216](#) [01-2900-1-04412](#) [00581P0075](#) [600TS-10](#) [60205-1](#) [604200-1](#) [605601-1](#) [60598-1-CUT-TAPE](#) [61314-6-C](#) [61810-3](#) [61-S](#) [61-SN](#) [626-0194](#) [62-NBM-A](#) [62-SN](#) [62-SP](#) [63-S](#) [640179-1](#) [M55155/059I03](#) [M55155/079C01](#) [M55155/099H02](#) [M55155/109H01](#) [M55155/109H02](#) [M55155/12XH05](#) [M55155/16XH02](#) [M55155/29-5S](#)