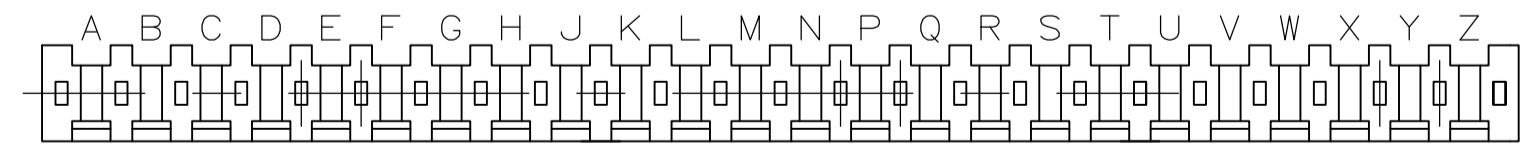
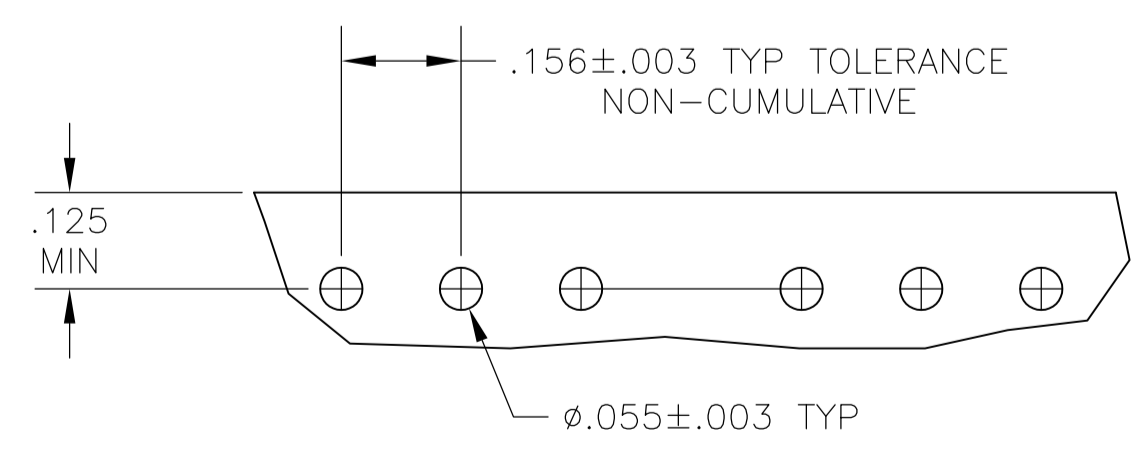
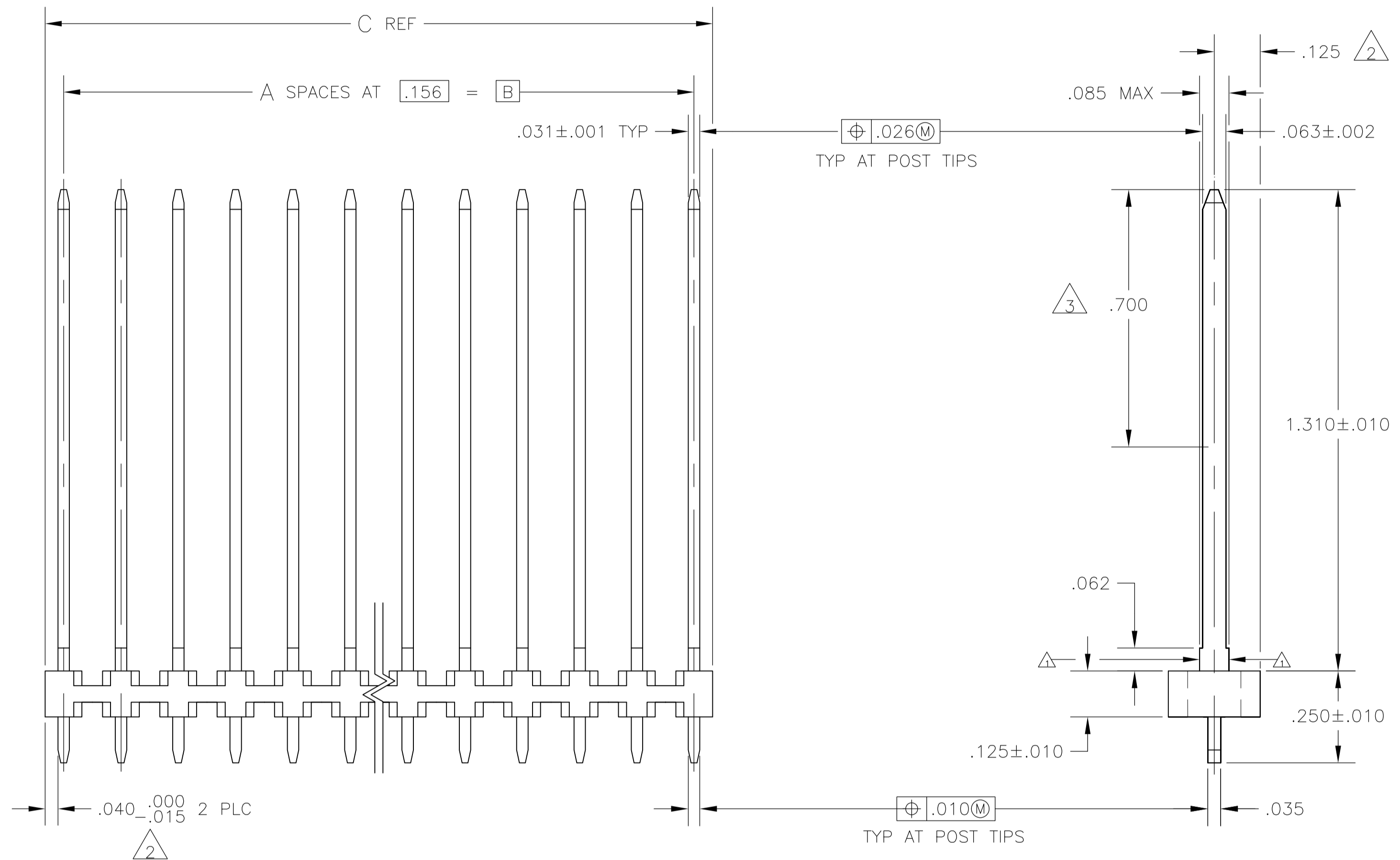


- ① THESE SURFACES WILL NOT BE PLATED
- ② THE NOTED DIMENSIONS APPLY AT THE INTERSECTION OF THE POST AND THE HOUSING
- ③ POINT OF MEASUREMENT FOR PLATING THICKNESS
- ④ OBSOLETE PARTS: OBSOLETE CIS STREAMLINING PER D.RENAUD/D.SINISI



KEYWAY LOCATIONS (REF-SEE TABLE)
 (MATING LENGTH OF POST ON NEAR SIDE)
 SCALE 2:1

OBSOLETE	-	0	5.415	5.304	34	35	3-85839-5
OBSOLETE	-	0	5.259	5.148	33	34	3-85839-4
OBSOLETE	-	0	5.103	4.992	32	33	3-85839-3
OBSOLETE	-	0	4.947	4.836	31	32	3-85839-2
OBSOLETE	-	0	4.791	4.680	30	31	3-85839-1
OBSOLETE	-	0	4.635	4.524	29	30	3-85839-0
OBSOLETE	-	0	4.479	4.368	28	29	2-85839-9
OBSOLETE	-	0	4.323	4.212	27	28	2-85839-8
OBSOLETE	-	0	4.167	4.056	26	27	2-85839-7
OBSOLETE	-	0	4.011	3.900	25	26	2-85839-6
④ OBSOLETE	A,C,E,H,K,M,Q,S,U,W,Y	11	3.855	3.744	24	25	2-85839-5
	A,C,E,G,J,L,N,Q,S,U,W,Y	12	3.699	3.588	23	24	2-85839-4
	A,D,G,K,N,R,U,X	8	3.543	3.432	22	23	2-85839-3
	A,C,E,G,J,L,N,Q,S,U,W	11	3.387	3.276	21	22	2-85839-2
	A,D,G,K,N,R,U	7	3.231	3.120	20	21	2-85839-1
	A,C,E,G,J,L,N,Q,S,U	10	3.075	2.964	19	20	2-85839-0
	B,D,F,J,L,N,Q,S	8	2.919	2.808	18	19	1-85839-9
	A,D,F,J,M,P,S	7	2.763	2.652	17	18	1-85839-8
	A,D,G,K,N,R	6	2.607	2.496	16	17	1-85839-7
	A,C,E,G,J,L,N,Q	8	2.451	2.340	15	16	1-85839-6
	A,D,G,K,N	5	2.295	2.184	14	15	1-85839-5
	A,C,E,G,J,L,N	7	2.139	2.028	13	14	1-85839-4
	A,D,J,M	4	1.983	1.872	12	13	1-85839-3
	A,C,E,G,J,L	6	1.827	1.716	11	12	1-85839-2
④ OBSOLETE	A,D,G,K	4	1.671	1.560	10	11	1-85839-1
④ OBSOLETE	A,C,E,G,J	5	1.515	1.404	9	10	1-85839-0
④ OBSOLETE	A,D,G	3	1.359	1.248	8	9	85839-9
	A,C,E,G	4	1.203	1.092	7	8	85839-8
	A,C,E	3	1.047	.936	6	7	85839-7
	A,C,E	3	.891	.780	5	6	85839-6
	A,D	2	.735	.624	4	5	85839-5
	A,C	2	.579	.468	3	4	85839-4
④ OBSOLETE	A	1	.423	.312	2	3	85839-3
	A	1	.267	.156	1	2	85839-2
	-	0	.111	-	1	1	85839-1
	KEYWAY LOCATIONS	NO OF KEYWAY	C	B	A	NO OF POSN	ASSEMBLY PART NUMBER

THIS DRAWING IS A CONTROLLED DOCUMENT.		DIN L A MAYER 01APR87	Tyco Electronics Corporation Harrisburg, PA 17105-3608
DIMENSIONS: INCHES		CHK P de Jong 19MAY87	
TOLERANCES UNLESS OTHERWISE SPECIFIED:		APVD P de Jong 19MAY87	NAME
0 PLC ± - 1 PLC ± - 2 PLC ± - 3 PLC ± .005 4 PLC ± - ANGLES ± -		PRODUCT SPEC 108-25016	HEADER ASSEMBLY, MOD I, VERTICAL, SINGLE ROW, .156 Q
MATERIAL: HOUSING - FLAME RETARDANT THERMOPLASTIC, COLOR - BLACK, POSTS - BRASS		FINISH: .00050 GOLD IN THE CONTACT AREA, GOLD FLASH ON THE REMAINDER OF THE POST, ALL OVER .00050 NICKEL	RESTRICTED TO
CUSTOMER DRAWING		WEIGHT -	SIZE A1 00779 C=85839
SCALE 4:1		SHEET 1 OF 1	REV AC1

X-ON Electronics

Largest Supplier of Electrical and Electronic Components

Click to view similar products for [Headers & Wire Housings](#) category:

Click to view products by [TE Connectivity](#) manufacturer:

Other Similar products are found below :

[892-18-020-10-001101](#) [58102-G61-06LF](#) [582553-1](#) [0009485154](#) [009176003701906](#) [0050291907](#) [LY20-4P-DT1-P1E-BR](#) [02.125.8002.8](#)
[609-3404](#) [61062-3](#) [61082-181009](#) [622-3653LF](#) [63453-116](#) [636-1030](#) [636-1427](#) [636-3427](#) [636-4007](#) [641938-9](#) [641991-4](#) [644827-2](#) [65817-](#)
[010LF](#) [65817-015LF](#) [65863-015LF](#) [66207-023LF](#) [67095-007LF](#) [67601157](#) [68645-018](#) [68648-049](#) [70.362.1628.0](#) [70-4210](#) [70-4226B](#) [70-](#)
[4853B](#) [707-5020](#) [707-5028](#) [71.350.2428.0](#) [71918-208LF](#) [71961-016LF](#) [733-134](#) [733-162](#) [754199-000](#) [760-3052](#) [79531-3000](#) [FCN-](#)
[360C032-B](#) [FCN-367T-T012/H](#) [FCN-723D010/2](#) [80.063.4001.1](#) [800-90-010-10-002000](#) [801-43-002-10-013000](#) [801-43-006-10-002000](#)
[801-93-011-10-001000](#)