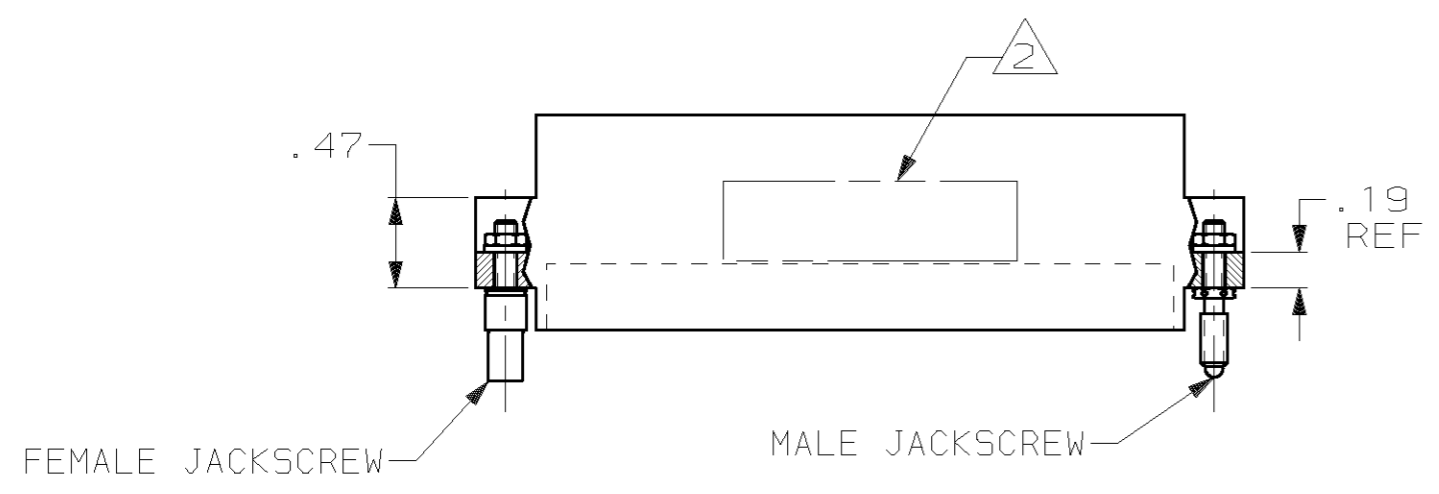
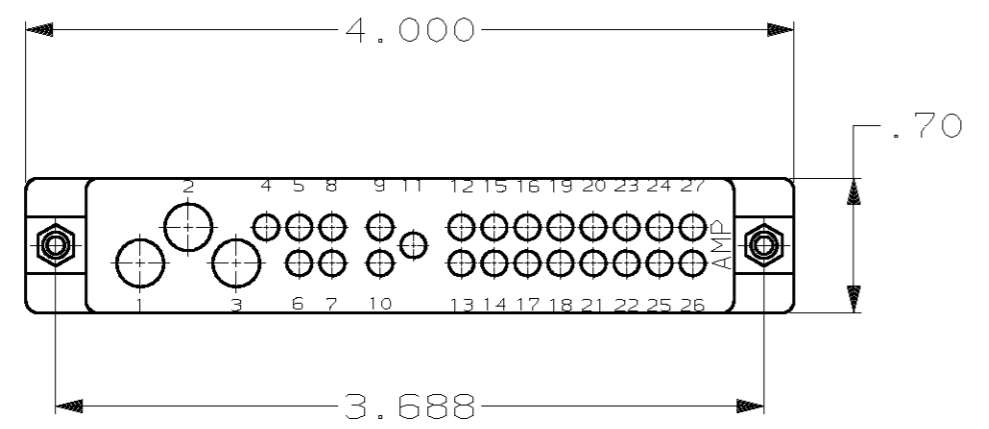
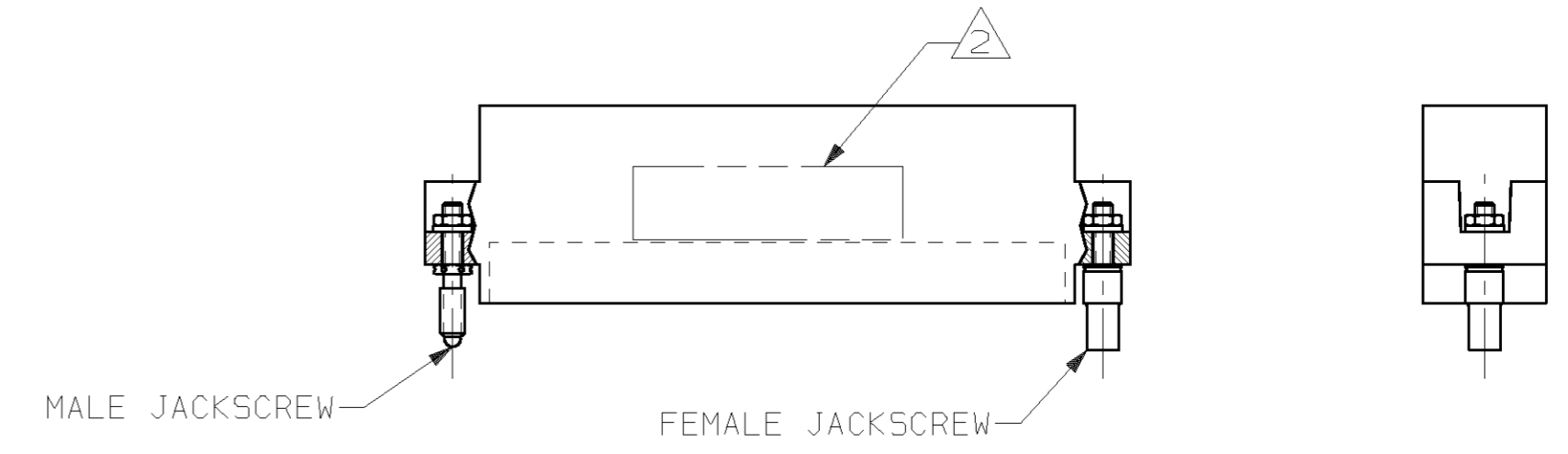
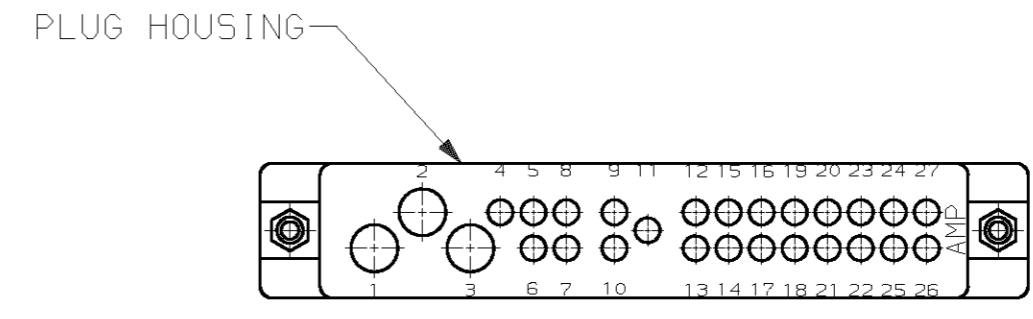
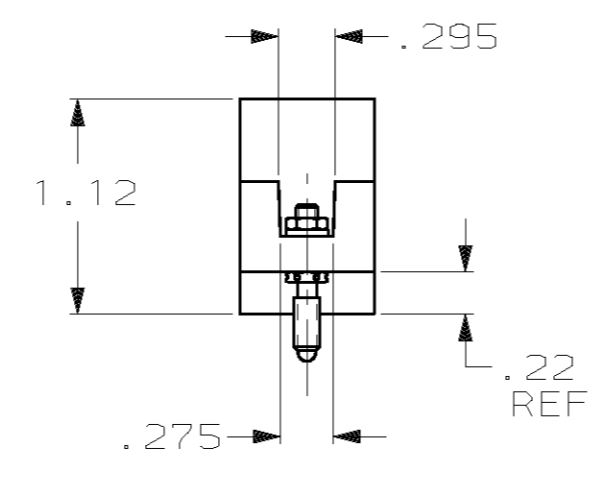


THIS DRAWING IS UNPUBLISHED. RELEASED FOR PUBLICATION ,19 .
 (C) COPYRIGHT 19 BY AMP INCORPORATED. ALL RIGHTS RESERVED.

LOC	DIST	REVISIONS			
P	LTR	DESCRIPTION	DATE	DWN	APVD
DF	50	F	REV PER 063D-0374-01	12-02	CT DE



858575-4 ONLY



858575-5 ONLY

1. DIMENSIONS SHOWN FOR 858575-4 ALSO APPLY FOR 858575-5.
2. AMP INFORMATION MARKED IN THIS AREA.
3. CONTACTS ARE NOT SUPPLIED WITH EITHER CONNECTOR.
4. CONNECTOR IS SUPPLIED WITH 6 "O"-RINGS. AFTER INSERTING CONTACTS IN THE CONNECTOR; CUSTOMER MUST INSTALL (2) "O"-RINGS OVER EACH PIN, ON INTERFACE SURFACE, AT POSITIONS #9,10 & 11.
5. 858575-1, -2 & -3 ARE OBSOLETE.

THIS DRAWING IS A CONTROLLED DOCUMENT.		DWN C.C.THOMAS 7-26-01	AMP TYCO Electronics Corporation Harrisburg, PA 17105-3608																		
DIMENSIONS: INCHES		CHK D.EABY 7-26-01	NAME D.EABY																		
TOLERANCES UNLESS OTHERWISE SPECIFIED:		APVD D.EABY 7-26-01	PRODUCT SPEC																		
<table border="1"> <tr><td>0</td><td>PLC</td><td>±-</td></tr> <tr><td>1</td><td>PLC</td><td>±-</td></tr> <tr><td>2</td><td>PLC</td><td>±.04</td></tr> <tr><td>3</td><td>PLC</td><td>±.005</td></tr> <tr><td>4</td><td>PLC</td><td>±-</td></tr> <tr><td colspan="2">ANGLES</td><td>±-</td></tr> </table>		0	PLC	±-	1	PLC	±-	2	PLC	±.04	3	PLC	±.005	4	PLC	±-	ANGLES		±-	APPLICATION SPEC	
0	PLC	±-																			
1	PLC	±-																			
2	PLC	±.04																			
3	PLC	±.005																			
4	PLC	±-																			
ANGLES		±-																			
MATERIAL MOLDED GLASS EPOXY		FINISH -	WEIGHT -	RESTRICTED TO																	
CUSTOMER DRAWING		SCALE 1:1	SHEET 1 OF 1	REV F																	

X-ON Electronics

Largest Supplier of Electrical and Electronic Components

Click to view similar products for [Standard Circular Connector](#) category:

Click to view products by [TE Connectivity](#) manufacturer:

Other Similar products are found below :

[C015](#) [10F006](#) [001](#) [1](#) [5M2530B10P](#) [600259N006](#) [600273N007](#) [600432N009](#) [6280-2PG-519](#) [6280-3PG-311](#) [6280-3SG-311](#) [6280-7SG-3DC](#)
[6280-7SG-522](#) [6282-5PG-311](#) [6282-6PG-519](#) [6282-8SG-311](#) [6283-11](#) [6283-15](#) [6290](#) [6382-2PG-311](#) [6382-2PG-3DC](#) [6382-2SG-321](#) [6382-2SG-3DC](#) [6382-4SG-516](#) [67-03E20-37P](#) [681-PMG](#) [CXS3102A14S2P](#) [CXS3102A181S](#) [CXS3106A14S6S](#) [MB12P-1](#) [MB12R-6](#) [7251-2PG-300](#) [7251-2SG-300](#) [7251-4PG-300](#) [7251-4SG-300](#) [7251-5PG-300](#) [7251-5SG-300](#) [7251-6SG-300](#) [7251-7PG-300](#) [7251-8PG-300](#) [7271-6SG-300](#) [7282-3PG-300-CH3](#) [73000005663](#) [75-190216-08S](#) [75-190218-10P](#) [75-474118-10P](#) [75-474618-01S](#) [75-474620-07P](#) [799539-000](#) [MI8-SE](#) [80-190222-18P](#) [805-005-07NF11-19PC](#) [805-005-07NF15-7PA](#)