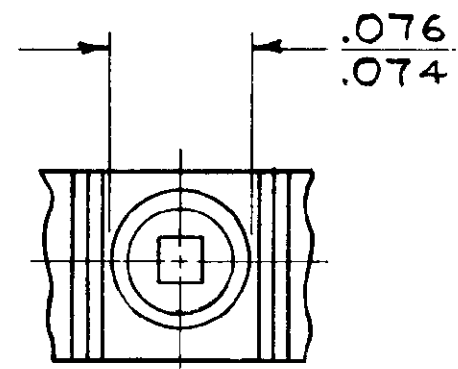
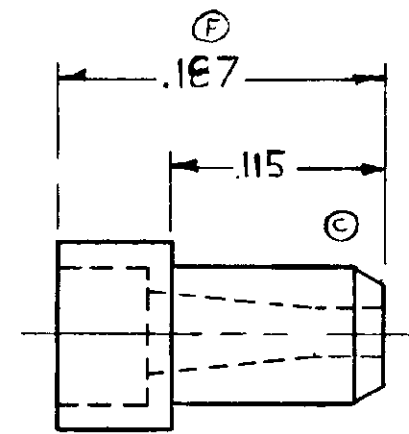
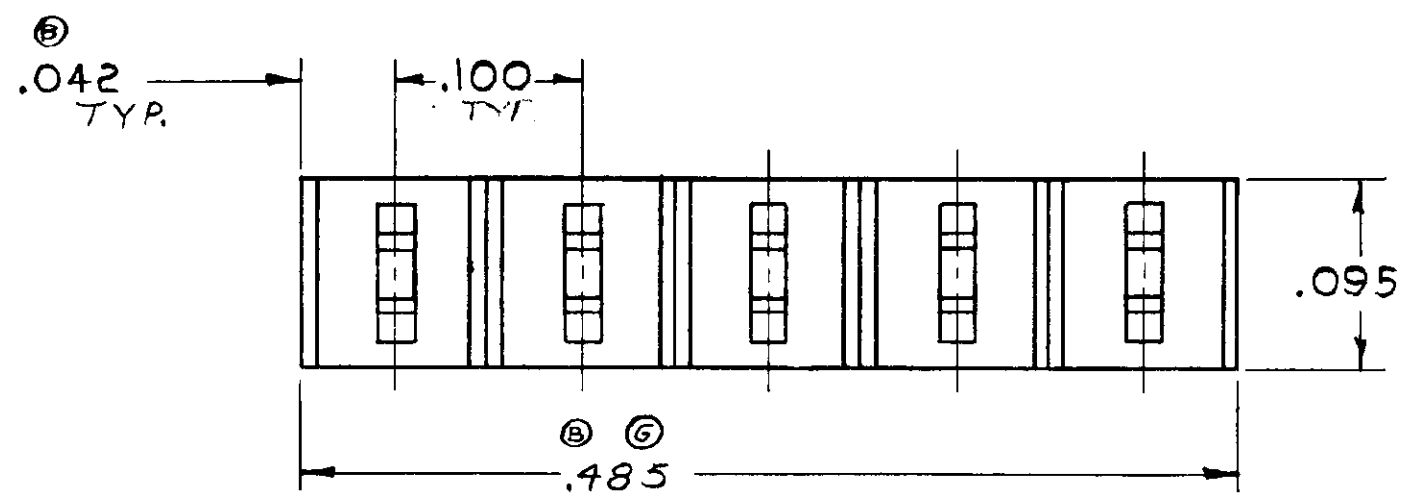
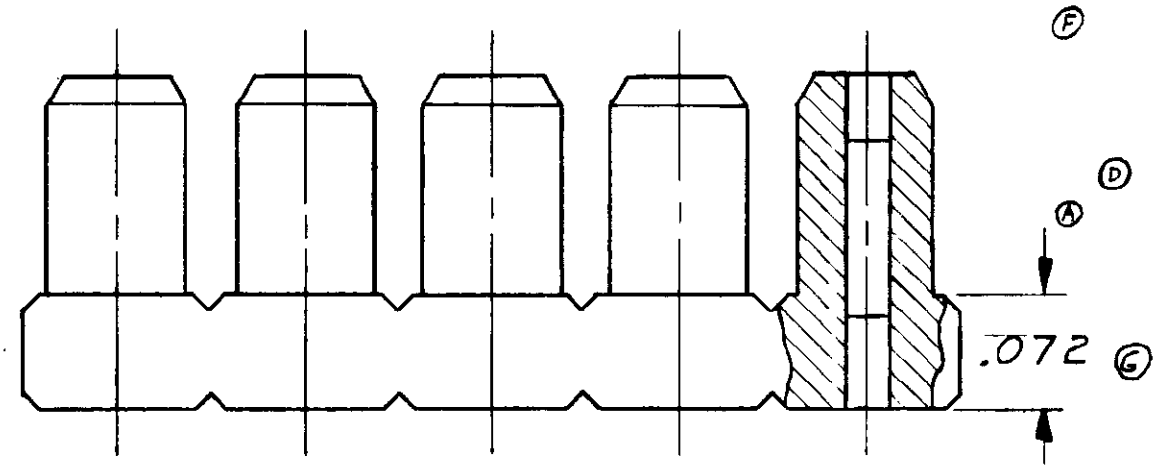


NUMBER 85920

© 1965 BY AMP INCORPORATED. ALL RIGHTS RESERVED. AMP PRODUCTS COVERED BY PATENTS AND/OR PATENTS PENDING. APPROVED PER GOVT CONTRACT NO.


REVISIONS				
SYM	ZONE	DESCRIPTION	DATE	APPROVAL
O		RELEASED WAS NIS168-71	8-29-65	L.B. J.W.
A		REVISED	W-195	4-30-65 m.S. RM
B		REVISED	W-351	6-4-65 m.S. J.M.
C		ADD CHAMFER	W-982	2-4-66 m.S.
D		REVISED	Y-354	4-7-66 m.S. RM
E		REVISED - ADD -2 & -3	Y-745	9-7-66 m.S. RM
F		REVISED	1161	1-10-67 m.S. D.H.
G	✓	REVISED	2008	2-11-69 m.S. J.H.
H	✓	OF 2 PER ECN 0690-93	7-93	PAC J.L.



PART NO.	COLOR
85920-1	NATURAL
<del>85920-2</del>	<del>RED</del>
85920-3	BLACK

OBSOLETE

UNLESS OTHERWISE SPECIFIED DIMENSIONS ARE IN INCHES TOLERANCES ON		
FRACTIONS	DECIMALS	ANGLES
± #	± #	± #
MATERIAL ZYTEL 101 OR EQUIV.		
HEAT TREAT — # —		
— # —		

AMP INFO		QTY REQD	NOMENCLATURE OR DESCRIPTION	PART OR IDENTIFYING NO.	MATERIAL AND PLATING	
AD	H/14					
LIST OF MATERIALS OR PARTS LIST						
SIGNATURE		DATE		 AMP INCORPORATED HARRISBURG, PENNSYLVANIA		
OR C. Osterman		1/7/65				
CHK R.L. Miller		3/21/65				
DSGN ENGR C. Snyder		3/31/65				
APPD B. Smith		3/31/65		BUSHING - INSULATOR AMP MODU MINIATURE .100 SPACING.		
DSGN APPD		CODE IDENT NO	SIZE			NUMBER
OTHER APPD		00779	B			85920.
SCALE 10-1		WT	CALC	ACTUAL	SHEET	

## X-ON Electronics

Largest Supplier of Electrical and Electronic Components

*Click to view similar products for [Headers & Wire Housings](#) category:*

*Click to view products by [TE Connectivity](#) manufacturer:*

Other Similar products are found below :

[892-18-020-10-001101](#) [58102-G61-06LF](#) [582553-1](#) [0009485154](#) [009176003701906](#) [0050291907](#) [LY20-4P-DT1-P1E-BR](#) [02.125.8002.8](#)  
[609-3404](#) [61062-3](#) [61082-181009](#) [622-3653LF](#) [63453-116](#) [636-1030](#) [636-1427](#) [636-3427](#) [636-4007](#) [641938-9](#) [641991-4](#) [644827-2](#) [65817-](#)  
[010LF](#) [65817-015LF](#) [65863-015LF](#) [66207-023LF](#) [67095-007LF](#) [67601157](#) [68645-018](#) [68648-049](#) [70.362.1628.0](#) [70-4210](#) [70-4226B](#) [70-](#)  
[4853B](#) [707-5020](#) [707-5028](#) [71.350.2428.0](#) [71918-208LF](#) [71961-016LF](#) [733-134](#) [733-162](#) [754199-000](#) [760-3052](#) [79531-3000](#) [FCN-](#)  
[360C032-B](#) [FCN-367T-T012/H](#) [FCN-723D010/2](#) [80.063.4001.1](#) [800-90-001-10-001000](#) [800-90-010-10-002000](#) [801-43-002-10-013000](#)  
[801-43-006-10-002000](#)