

LOC	DIST	P	F	ZONE	LTR	DESCRIPTION	DATE	APPD
AD	39					S REDRAWN ON CADD	9-20	-
						T REV LOC & DIST AD-4171	3-90	BF
						U REV PER AD6294	9/30/92	JK
						V REV PER 0010-0737-93	7/30/93	JM
						W REV PER 0010-0730-93 TT	11-16-93	-
						Y EC. 0010-1897-94 TH	9/18/95	JK
						Z REV PER 0010-0709-96	11-5-96	SS
						AA REV PER 0310-0029-96	1-7-97	SS
						AB REV PER 0310-0493-97	02-FEB-98	SS

- 1 BERYLLIUM COPPER
- 2 PHOS BRONZE
- 3 BRASS
- 4 0.00076[.000030] GOLD OVER 0.00127[.000050] NICKEL.
- 5 0.00038[.000015] GOLD OVER 0.00127[.000050] NICKEL.
- 6 0.00254-0.00508[.000100-.000200] BRIGHT TIN-LEAD OVER 0.00076[.000030] NICKEL.
- 7 GOLD FLASH OVER 0.00127[.000050] NICKEL.
- 8 0.00127[.000050] GOLD OVER 0.00127[.000050] NICKEL.
- 9 DUPLEX PLATED 0.00038[.000015] GOLD ON AREA F, 0.00254-0.00508[.000100-.000200] MATTE TIN-LEAD ON AREA G, ALL OVER 0.00127[.000050] NICKEL.
- 10 DUPLEX PLATED 0.00076[.000030] GOLD ON AREA F, 0.00254-0.00508[.000100-.000200] MATTE TIN-LEAD ON AREA G, ALL OVER 0.00127[.000050] NICKEL.
- 11 DUPLEX PLATED 0.00127[.000050] GOLD ON AREA F, 0.00254-0.00508[.000100-.000200] MATTE TIN-LEAD ON AREA G, ALL OVER 0.00127[.000050] NICKEL.
- 12 POINT OF MEASUREMENT FOR PLATING THICKNESS.
- 13 0.00076[.000030] GOLD IN AREA F, 0.00508-0.00762[.000200-.000300] MATTE TIN-LEAD IN AREA G, ALL OVER 0.00127[.000050] NICKEL.
- 14 0.00076[.000030] GOLD IN AREA F, GOLD FLASH IN AREA G, ALL OVER 0.00127[.000050] NICKEL.

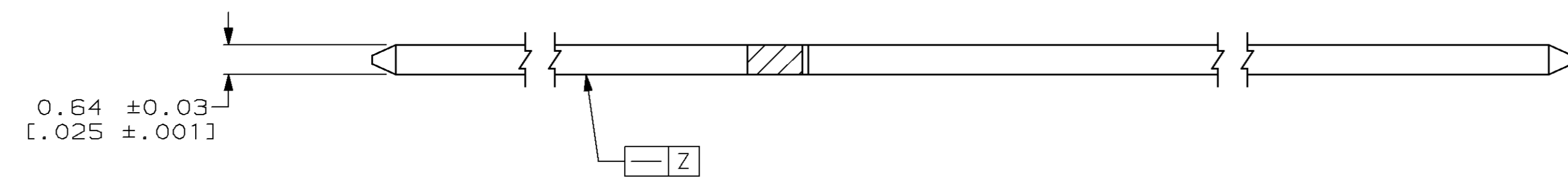
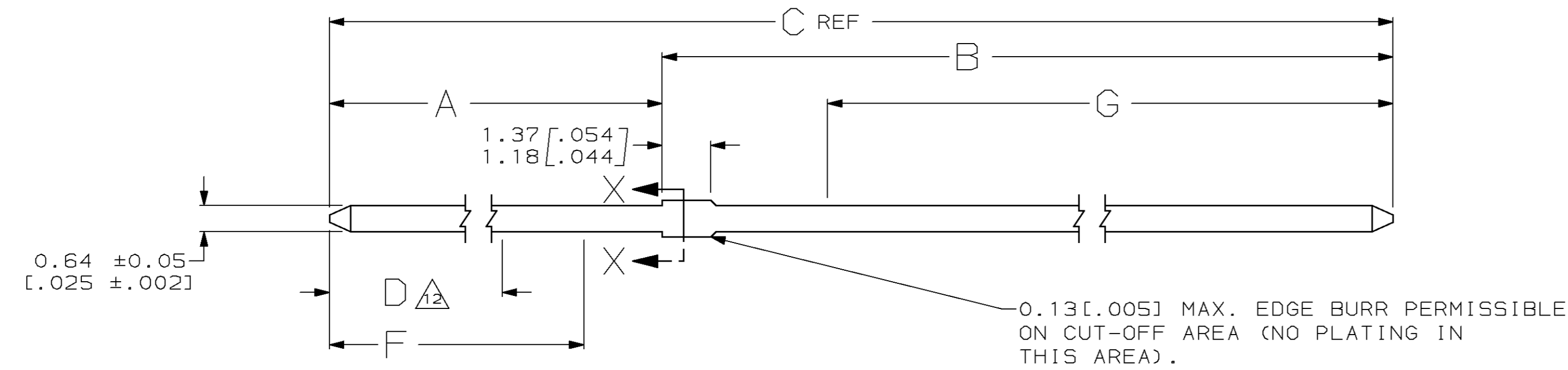
OBSOLETE	6	2	2-85900-5	0.08 [.003]	1.90 [.075]	5.08 [.200]	3.94 [.155]	11.18 [.440]	5.33 [.210]	5.84 [.230]	2-85931-5
OBSOLETE	6	2	2-85900-4	0.08 [.003]	3.05 [.120]	-	3.94 [.155]	8.180 [.322]	5.33 [.210]	5.84 [.230]	2-85931-4
OBSOLETE	6	2	2-85900-3	0.08 [.003]	2.79 [.110]	-	2.54 [.100]	11.25 [.443]	3.18 [.125]	8.08 [.318]	2-85931-3
OBSOLETE	6	2	2-85900-2	0.08 [.003]	2.54 [.100]	5.08 [.200]	2.54 [.100]	11.380 [.448]	4.32 [.170]	8.08 [.318]	2-85931-2
OBSOLETE	9	2	2-85900-1	0.08 [.003]	2.54 [.100]	5.08 [.200]	2.54 [.100]	11.18 [.440]	5.33 [.210]	5.84 [.230]	2-85931-1
OBSOLETE	9	2	2-85900-0	0.08 [.003]	1.90 [.075]	5.08 [.200]	2.54 [.100]	11.25 [.443]	3.18 [.125]	8.08 [.318]	2-85931-0
OBSOLETE	5	2	1-85900-9	0.08 [.003]	3.05 [.120]	-	3.94 [.155]	11.380 [.448]	4.32 [.170]	8.08 [.318]	1-85931-9
OBSOLETE	4	2	1-85900-8	0.13 [.005]	6.40 [.252]	-	3.94 [.155]	28.45 [1.120]	20.37 [.802]	8.08 [.318]	1-85931-8
OBSOLETE	4	2	1-85900-7	0.08 [.003]	1.90 [.075]	-	4.44 [.175]	12.06 [.475]	3.18 [.125]	8.89 [.350]	1-85931-7
OBSOLETE			1-85900-6								1-85931-6
OBSOLETE	4	2	1-85900-5	0.08 [.003]	3.05 [.120]	-	3.94 [.155]	11.380 [.448]	4.32 [.170]	8.08 [.318]	1-85931-5
OBSOLETE	8	2	1-85900-4	0.08 [.003]	5.33 [.210]	-	3.94 [.155]	14.68 [.578]	6.60 [.260]	8.08 [.318]	1-85931-4
OBSOLETE	8	2	1-85900-3	0.08 [.003]	1.90 [.075]	-	3.94 [.155]	11.25 [.443]	3.18 [.125]	8.08 [.318]	1-85931-3
OBSOLETE	4	2	1-85900-2	0.08 [.003]	10.97 [.432]	-	3.94 [.155]	20.32 [.800]	12.24 [.482]	8.08 [.318]	1-85931-2
OBSOLETE	4	2	1-85900-1	0.08 [.003]	5.33 [.210]	-	3.94 [.155]	14.68 [.578]	6.60 [.260]	8.08 [.318]	1-85931-1
OBSOLETE			1-85900-0								1-85931-0
OBSOLETE	8	2	85900-9	0.13 [.005]	16.460 [.648]	-	3.94 [.155]	28.09 [1.106]	17.730 [.698]	8.08 [.318]	85931-9
OBSOLETE	4	2	85900-8	0.08 [.003]	1.90 [.075]	-	3.94 [.155]	11.25 [.443]	3.18 [.125]	8.08 [.318]	85931-8
OBSOLETE	6	2	85900-7	0.08 [.003]	1.90 [.075]	-	3.94 [.155]	11.25 [.443]	3.18 [.125]	8.08 [.318]	85931-7
	5	2	85900-6	0.08 [.003]	1.90 [.075]	-	3.94 [.155]	11.25 [.443]	3.18 [.125]	8.08 [.318]	85931-6
	4	2	85900-5	0.08 [.003]	1.90 [.075]	-	3.94 [.155]	11.25 [.443]	3.18 [.125]	8.08 [.318]	85931-5
OBSOLETE	6	2	85900-4	0.13 [.005]	16.460 [.648]	-	3.94 [.155]	28.09 [1.106]	17.730 [.698]	8.08 [.318]	85931-4
OBSOLETE	5	2	85900-3	0.13 [.005]	16.460 [.648]	-	3.94 [.155]	28.09 [1.106]	17.730 [.698]	8.08 [.318]	85931-3
	4	2	85900-2	0.13 [.005]	16.460 [.648]	-	3.94 [.155]	28.09 [1.106]	17.730 [.698]	8.08 [.318]	85931-2
OBSOLETE	4	2	85900-1	0.13 [.005]	16.460 [.648]	-	3.94 [.155]	28.09 [1.106]	17.730 [.698]	8.08 [.318]	85931-1

OBSOLETE	6	2	4-85900-8	0.08 [.003]	11.84 [.466]	-	1.78 [.070]	11.84 [.466]	8.28 [.326]	3.56 [.140]	3-859931-3
OBSOLETE	14	2	4-85900-5	0.08 [.003]	2.03 [.080]	4.70 [.185]	2.54 [.100]	10.41 [.410]	6.09 [.240]	4.32 [.170]	3-859931-2
OBSOLETE	13	2	4-85900-3	0.08 [.003]	3.30 [.130]	4.70 [.185]	2.54 [.100]	11.18 [.440]	5.84 [.230]	5.33 [.210]	3-859931-1
OBSOLETE	4	2	4-85900-2	0.08 [.003]	4.06 [.160]	-	2.54 [.100]	11.18 [.440]	5.84 [.230]	5.33 [.210]	3-859931-0
OBSOLETE	6	2	4-85900-1	0.08 [.003]	5.33 [.210]	-	2.54 [.100]	14.68 [.578]	6.60 [.260]	8.08 [.318]	2-859931-9
OBSOLETE	5	2	4-85900-0	0.08 [.003]	1.07 [.042]	-	2.54 [.100]	8.180 [.322]	2.34 [.092]	5.84 [.230]	2-859931-8
OBSOLETE	11	2	3-85900-9	0.08 [.003]	2.54 [.100]	5.08 [.200]	2.54 [.100]	11.18 [.440]	5.33 [.210]	5.84 [.230]	2-859931-7
OBSOLETE	6	2	3-85900-8	0.08 [.003]	1.07 [.042]	-	2.54 [.100]	8.180 [.322]	2.34 [.092]	5.84 [.230]	2-859931-6
FINISH	MATERIAL	STRIP PART NO. (REF)	H	G	F	D	C	B	A	PART NO.	

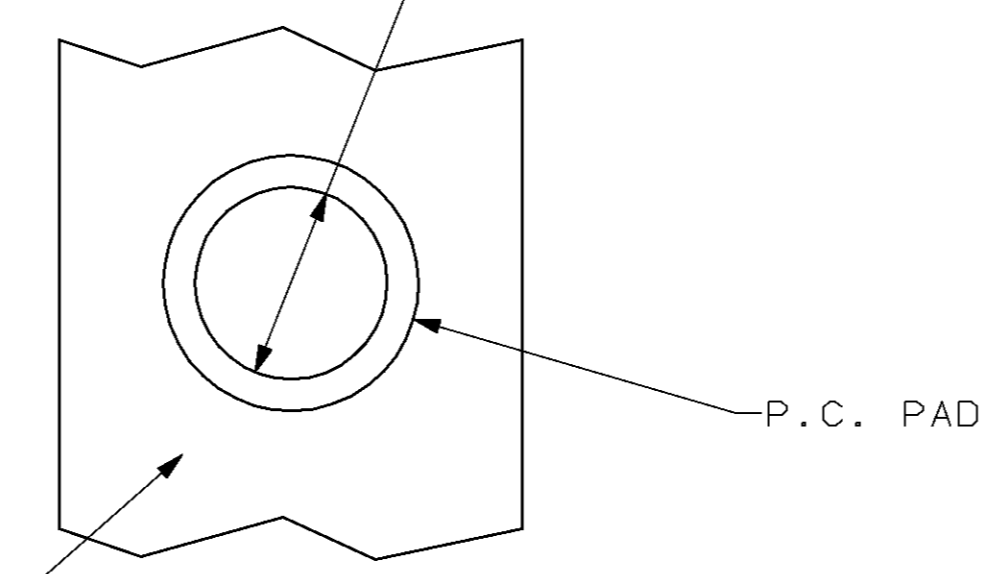


DO NOT SCALE PRINT. UNLESS SPECIFIED DIMENSIONS IN mm [INCHES] TOLERANCES ON:		DR 9-20-89 S. HURT		PART NO	
2 PLC DEC ± -		CHK 10-25-89 S. SHUEY		AMP INCORPORATED Harrisburg, Pa. 17105	
3 PLC DEC ± 0.13(.005)		APPD 10-26-89 B. SPINK		NAME	
ANGLES ± -		APPD 10-26-89 FL INCHBAUGH		POST, MOD II, .025 SQUARE, UNINSULATED, LOOSE PIECE	
MATERIAL		PRODUCT SPEC		SIZE	
SEE TABLE		-		D 00779	
FINISH		APPLICATION SPEC		CAGE CODE	
SEE TABLE		-		00779	
WEIGHT		-		DRAWING NO	
-		-		85931	
SCALE		-		SHEET	
-		-		1 OF 2	

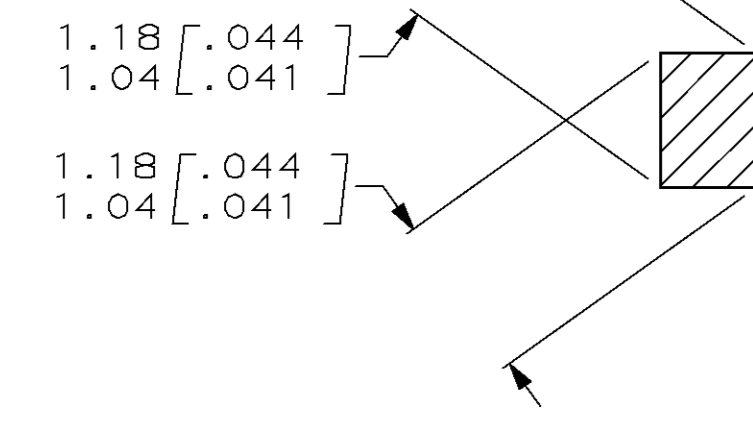
LOC		DIST		P		ZONE		LTR		REVISIONS		DATE	APPD
AD	39									AB	SEE SHEET 1	-	-



$\varnothing 0.91 \pm 0.05$  [0.036 ±.002] PLATED } RECOMMENDED HOLE SIZE  
 $\varnothing 0.97 \pm 0.05$  [0.038 ±.002] UNPLATED }



CUSTOMER'S P.C. BOARD



SECTION X-X  
SCALE 20:1



DO NOT SCALE PRINT. UNLESS SPECIFIED DIMENSIONS IN mm [INCHES]		DR 9-20-89 S. HURT		AMP INCORPORATED Harrisburg, Pa. 17105	
TOLERANCES ON:		CHK 10-25-89 S. SHUEY		NAME	
2 PLC DEC ± -		APPD 10-26-89 B. SPINK		POST, MOD II, .025 SQUARE, UNINSULATED, LOOSE PIECE	
3 PLC DEC ± 0.13(.005)		APPD 10-26-89 FLINCHBAUGH		DRAWING NO	
ANGLES ± -		PRODUCT SPEC		85931	
MATERIAL		APPLICATION SPEC		SIZE	CAGE CODE
-		-		D	00779
FINISH		WEIGHT		SCALE	DRAWING NO
-		-		10:1	85931
				SHEET	2 OF 2

## X-ON Electronics

Largest Supplier of Electrical and Electronic Components

*Click to view similar products for [Headers & Wire Housings](#) category:*

*Click to view products by [TE Connectivity](#) manufacturer:*

Other Similar products are found below :

[892-18-020-10-001101](#) [58102-G61-06LF](#) [582553-1](#) [0009485154](#) [009176003701906](#) [0050291907](#) [LY20-4P-DT1-P1E-BR](#) [02.125.8002.8](#)  
[609-3404](#) [61062-3](#) [61082-181009](#) [622-3653LF](#) [63453-116](#) [636-1030](#) [636-1427](#) [636-3427](#) [636-4007](#) [641938-9](#) [641991-4](#) [644827-2](#) [65817-010LF](#) [65817-015LF](#) [65863-015LF](#) [66207-023LF](#) [67095-007LF](#) [67601157](#) [68645-018](#) [68648-049](#) [70.362.1628.0](#) [70-4210](#) [70-4226B](#) [70-4853B](#) [707-5020](#) [707-5028](#) [71.350.2428.0](#) [71918-208LF](#) [71961-016LF](#) [733-134](#) [733-162](#) [754199-000](#) [760-3052](#) [787-8014-00](#) [79531-3000](#)  
[FCN-360C032-B](#) [FCN-367T-T012/H](#) [FCN-723D010/2](#) [80.063.4001.1](#) [800-90-001-10-001000](#) [800-90-010-10-002000](#) [801-43-002-10-013000](#)